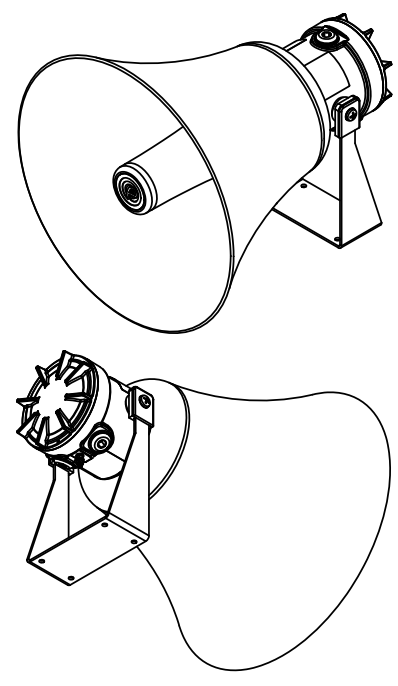
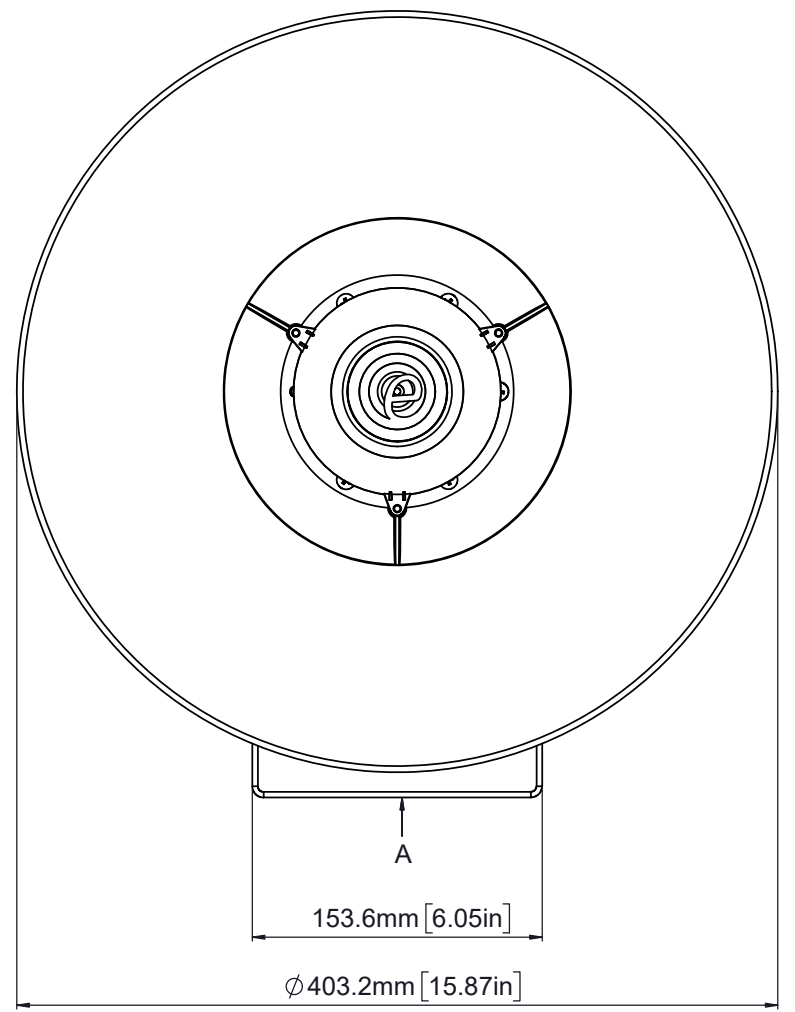
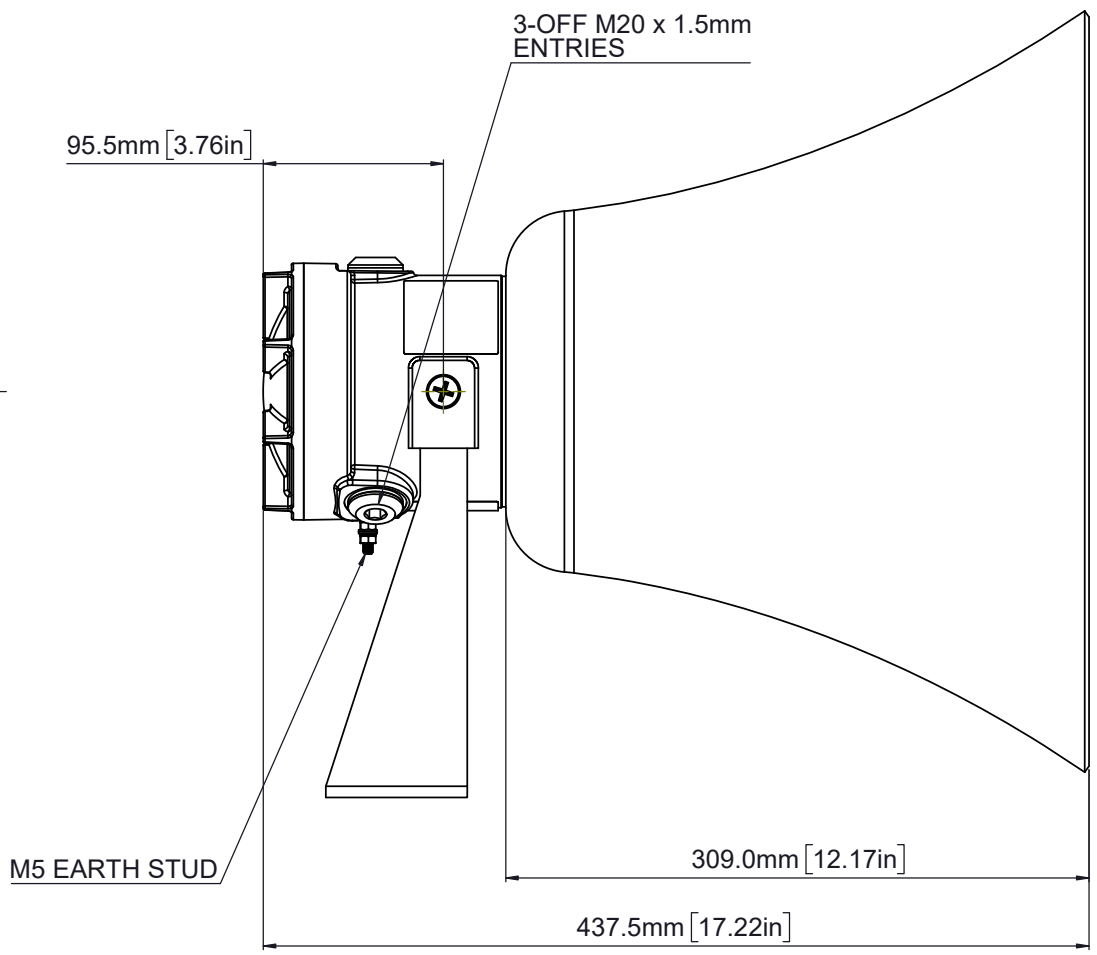
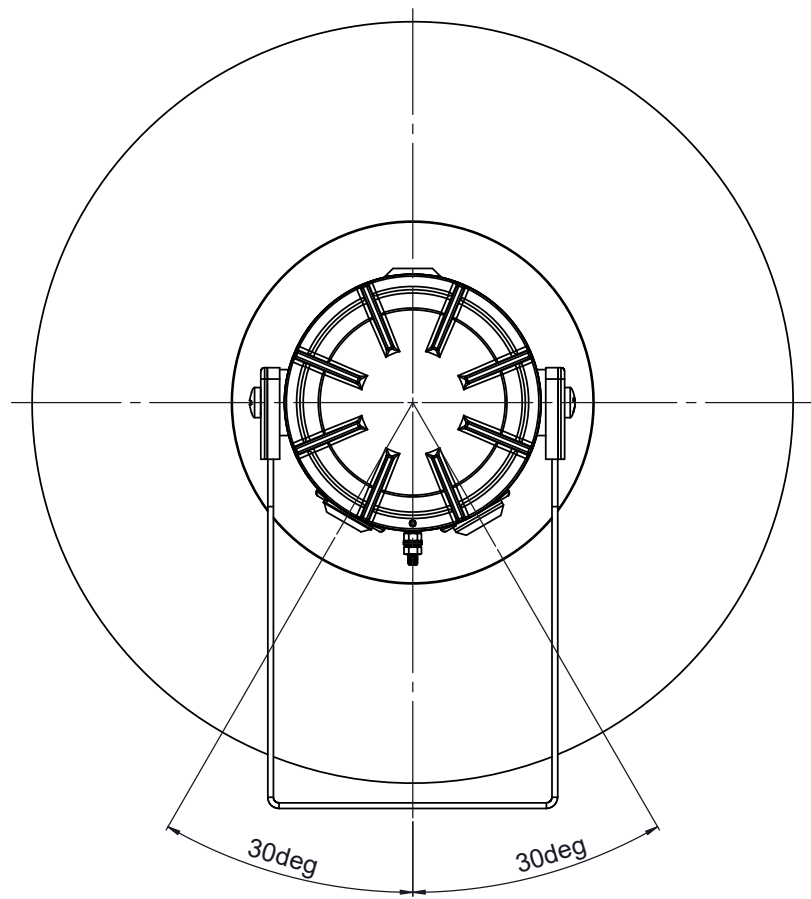
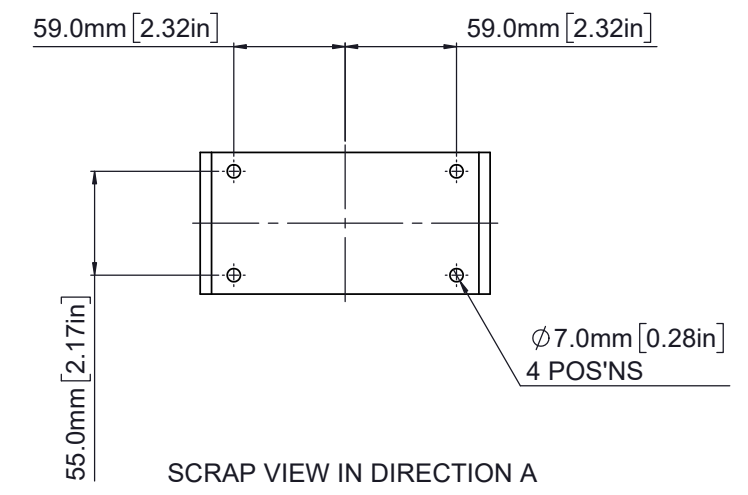
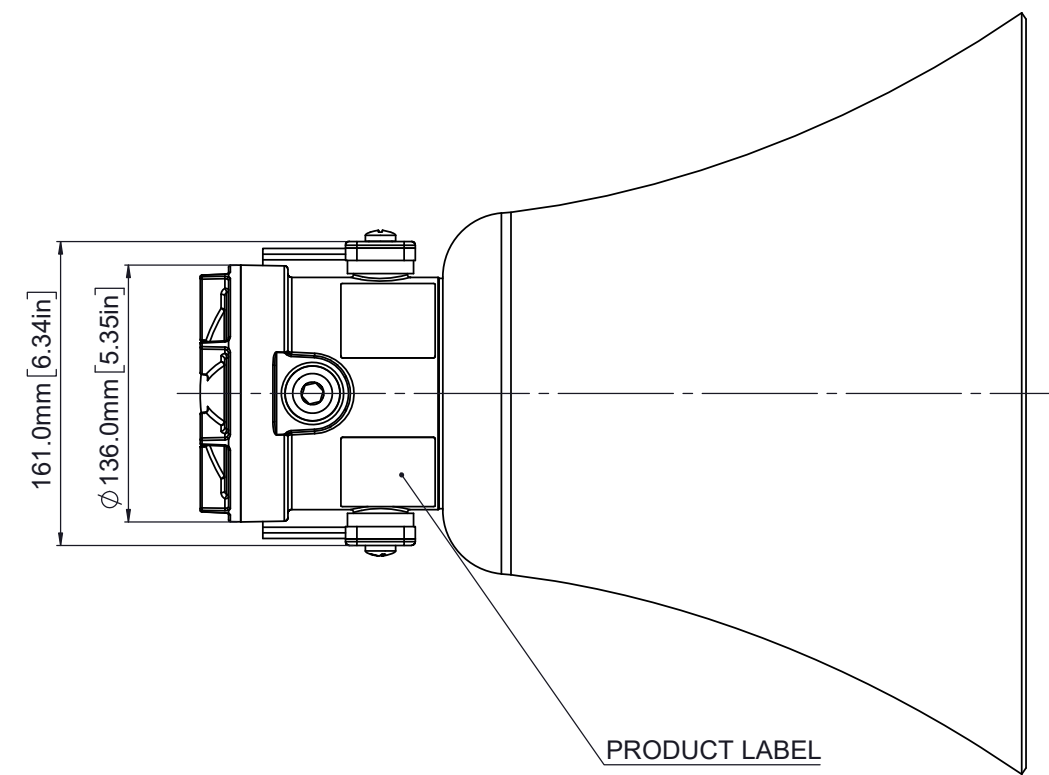


ISSUE	MOD No.	REASON - INITIAL - DATE
1		INTRODUCTION JS - 23-03-2021
2		OPTIONAL TAG REMOVED LABEL NOTES ADDED MM 31-07-2023



SCALE 1:5



E2S PART NO.	DESCRIPTION	DATA REFERENCE
STExS2H	STEX S2 LARGE FLARE ALARM SOUNDER (Ex d VERSION)	1-22-195
STExL2H	STEX L2 LARGE FLARE LOUDSPEAKER (Ex d VERSION)	1-22-215

NOTE:
FOR OPTIONAL DUTY LABEL SEE DRAWING D254-00-001
FOR OPTIONAL TAG PLATE SEE DRAWING D254-00-101

DRAWING TO BS888:2000 GEOMETRIC TOLERANCES TO ISO1101:1983 LINEAR DIMENSIONAL TOOLS ANGULAR DIMENSIONAL TOOLS	DRAWN	DATE	SURFACE FINISH	WEIGHT (kg)	THIS DRAWING AND ANY INFORMATION OR DESCRIPTIVE MATTER THEREIN IS COMMUNICATED IN CONFIDENCE AND IS THE COPYRIGHT PROPERTY OF EUROPEAN SAFETY SYSTEMS LTD. NEITHER THE WHOLE OR ANY EXTRACT MAY BE DISCLOSED, LOANED, COPIED OR USED FOR MANUFACTURING OR TENDERING PURPOSES WITHOUT THEIR WRITTEN CONSENT.	 EUROPEAN SAFETY SYSTEMS LTD IMPRESS HOUSE MANSELL ROAD ACTON LONDON W3 7QH WWW.E2S.COM	ALL DIMENSIONS IN MM IF IN DOUBT, ASK - DO NOT SCALE	 A1
	CHECKED	DATE	MATERIAL					
STANDARDS STEx Range	R.POTTS	23/03/21	GRP		EUROPEAN SAFETY SYSTEMS LTD. AS PER LATEST DATE OF ISSUE SHOWN ABOVE	SCALE 1:2	SHEET 1 OF 1	DRAWING NUMBER D199-05-071
	APPROVED	DATE	ALTERNATIVE MATERIAL					
	R.POTTS	23/03/21						