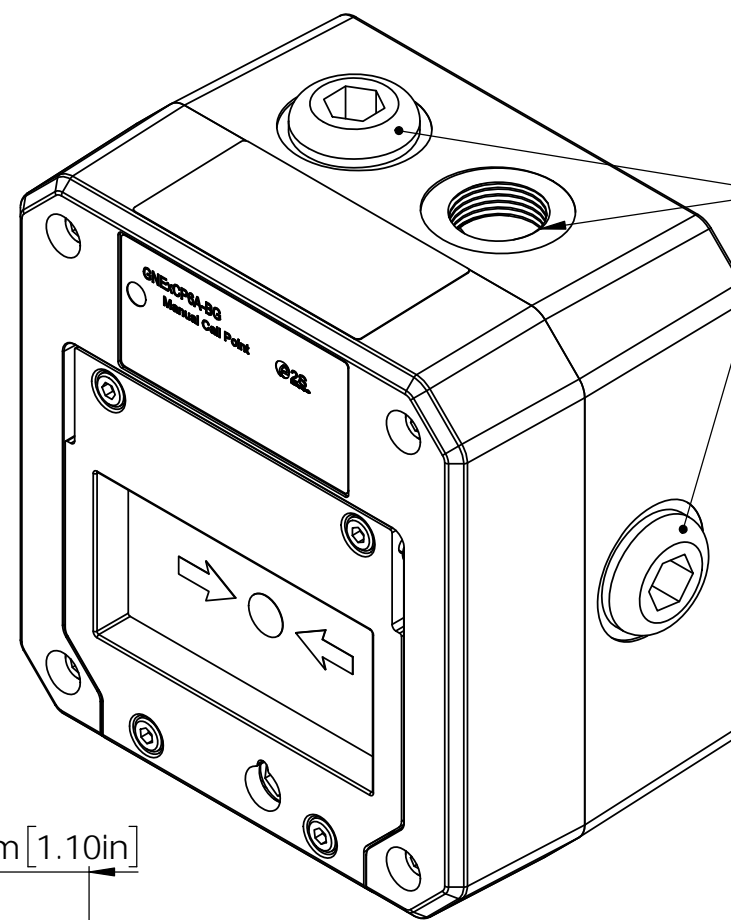
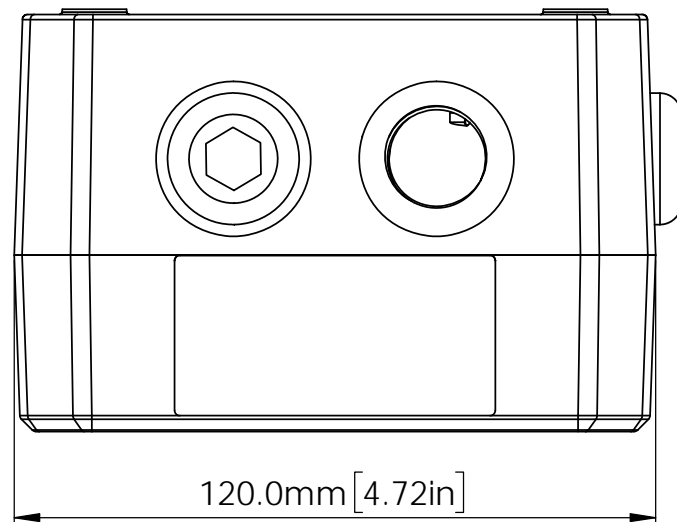


E2S PART NO. DESCRIPTION DATA REFERENCE

GNExCP6A-BG
GNExCP6B-BG
GNExCP6C-BG
GNExCP6D-BG

GNExCP6-BG BREAK GLASS MANUAL CALL POINT 1.24.010

| ISSUE | MOD No. | REASON - INITIAL - DATE |
|-------|---------|---|
| 1 | | INTRODUCTION DAH - 03-02-2020 |
| 2 | | CUSTOMER INFORMATION ADDED JS - 22-05-2020 |
| 3 | | LABEL NOTES ADDED MM 31-07-2023 |



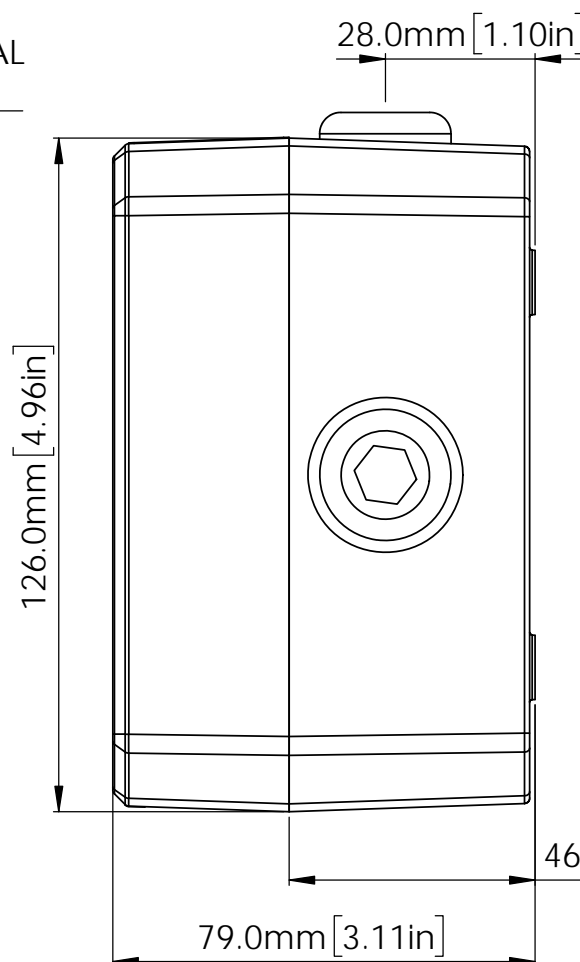
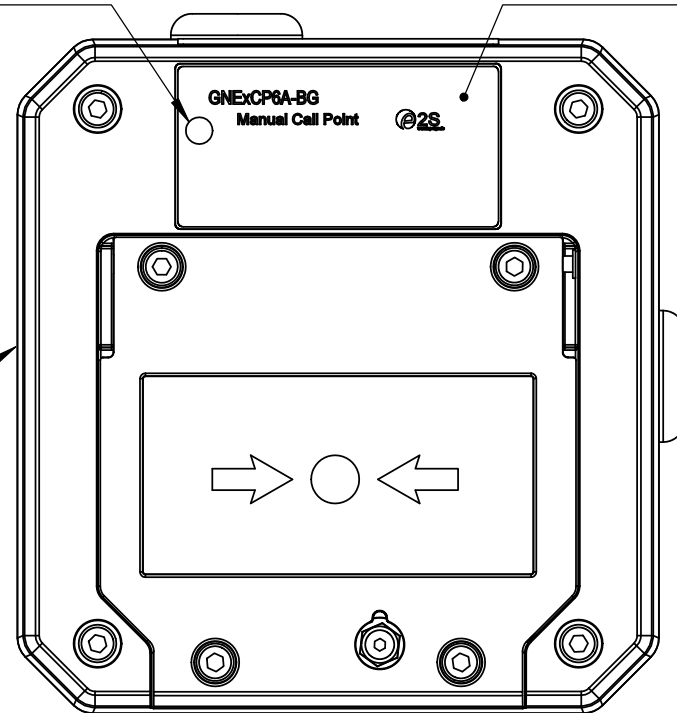
M20 x 1.5 IN 3 POSITIONS

NB: M20 X 1.5 Ex e APPROVED
CABLE GLANDS OR STOPPING PLUGS
TO BE USED ONLY

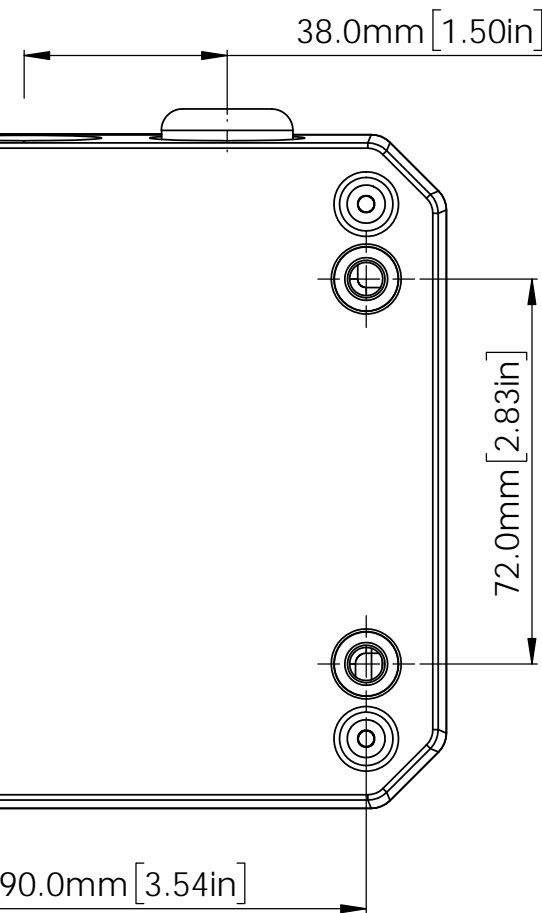
ISOMETRIC VIEW

POSITION OF OPTIONAL L.E.D. POSITION OF OPTIONAL DUTY LABEL

POSITION OF OPTIONAL TAG PLATE



Ø6.2mm [0.24in]
MOUNTING HOLES
4 OFF

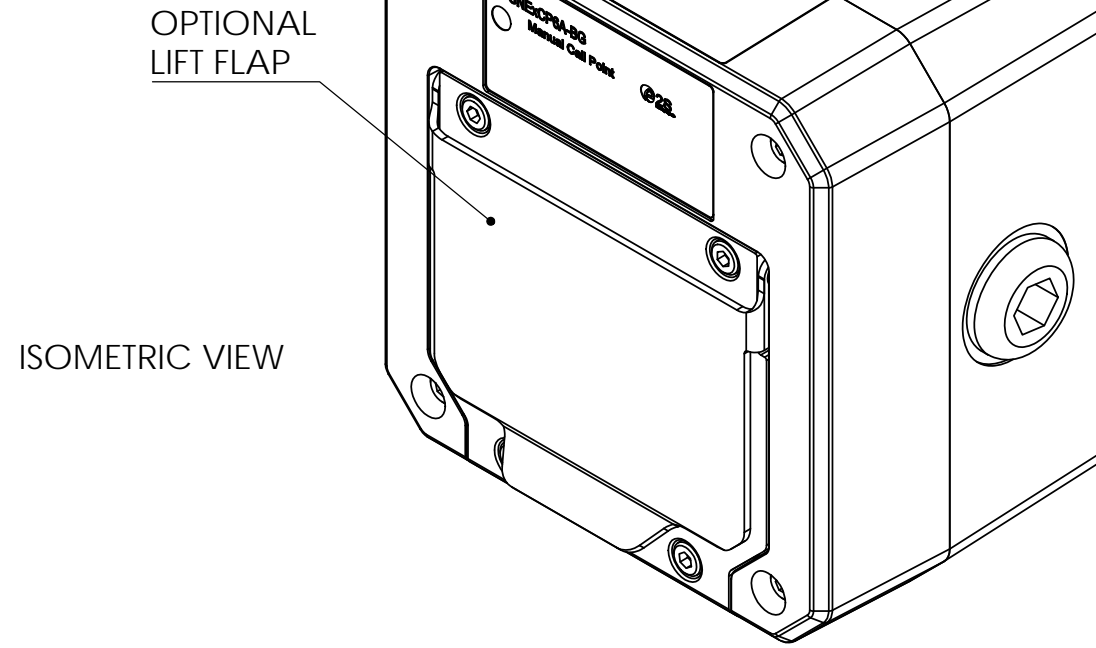
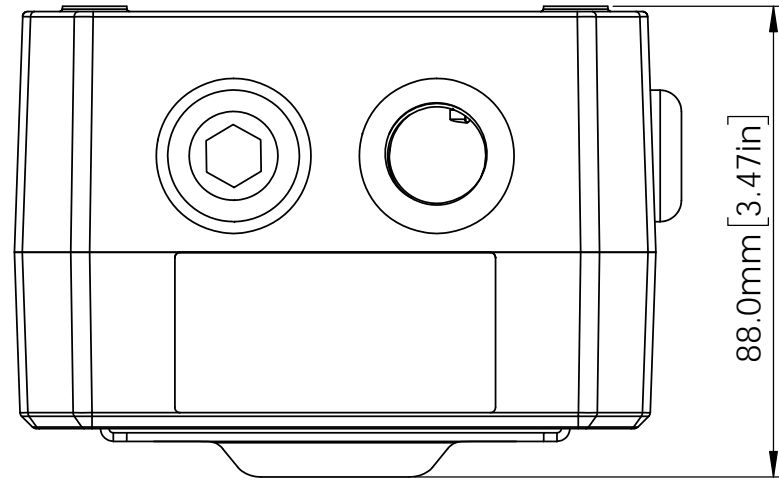


NOTE:
FOR OPTIONAL DUTY LABEL SEE DRAWING D254-00-011
FOR OPTIONAL TAG PLATE SEE DRAWING D254-00-121

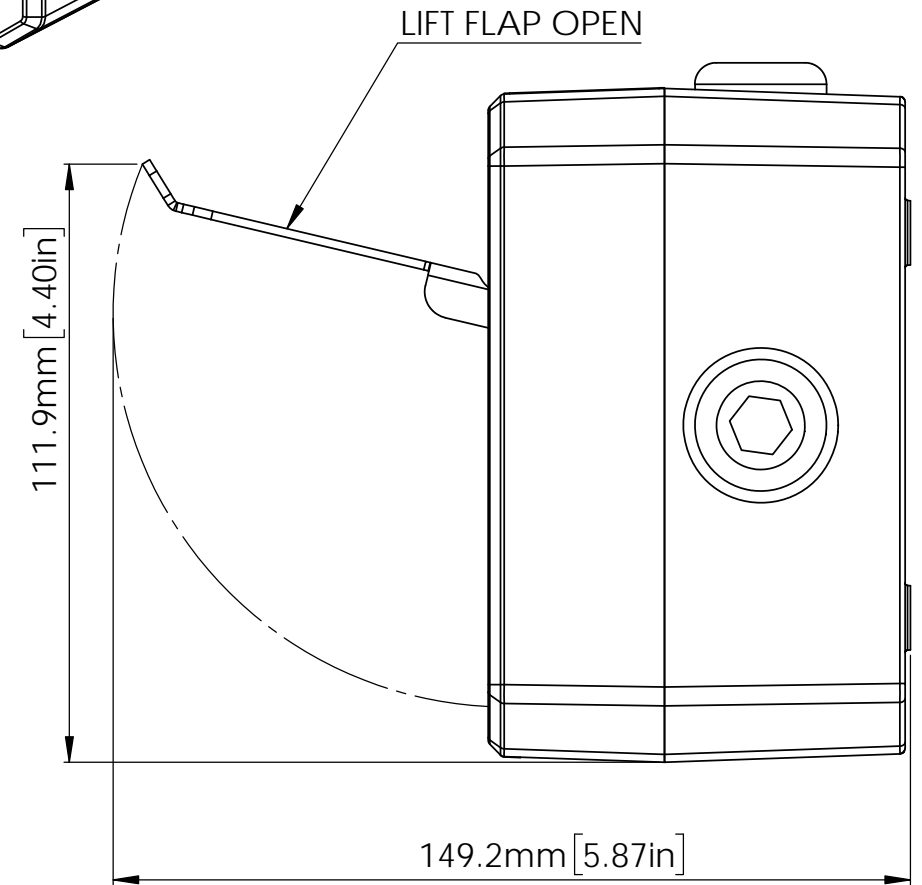
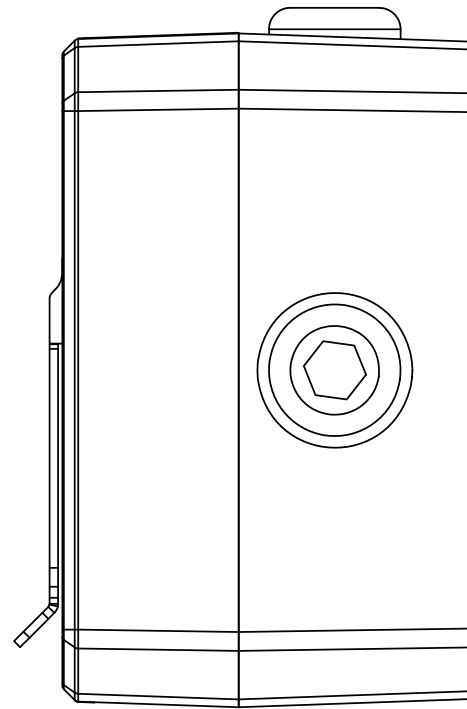
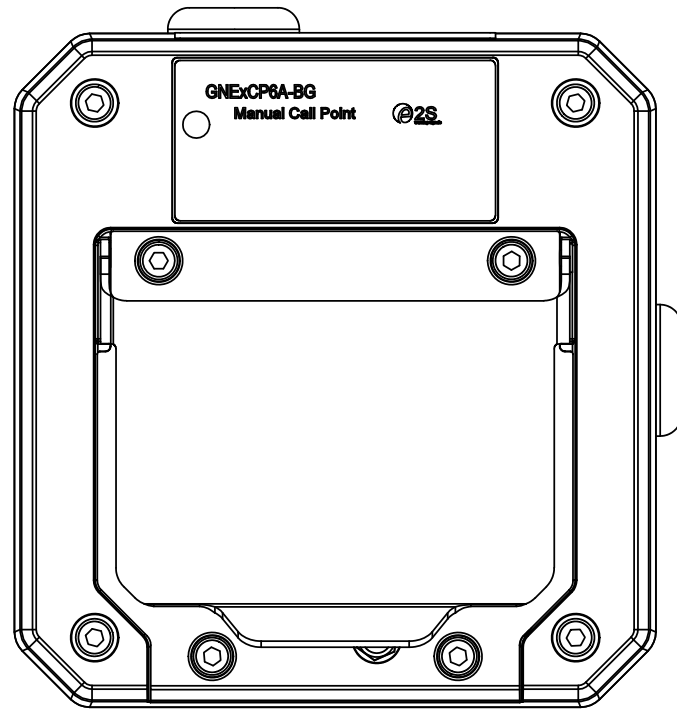
| | | | | | | | | | |
|---|-----------|----------|---|-------------|---|---|--|--------|-------------|
| DRAWING TO BS8888:2000 GEOMETRIC TOLERANCES TO ISO1101:1983 LINEAR DIMENSIONAL TOLS ANGULAR DIMENSIONAL TOLS | DRAWN | DATE | SURFACE FINISH | WEIGHT (Kg) | THIS DRAWING AND ANY INFORMATION OR DESCRIPTIVE MATTER THEREIN IS COMMUNICATED IN CONFIDENCE AND IS THE COPYRIGHT PROPERTY OF EUROPEAN SAFETY SYSTEMS LTD. NEITHER THE WHOLE OR ANY EXTRACT MAY BE DISCLOSED, LOANED, COPIED OR USED FOR MANUFACTURING OR TENDERING PURPOSES WITHOUT THEIR WRITTEN CONSENT. | EUROPEAN SAFETY SYSTEMS LTD IMPRESS HOUSE MANSELL ROAD ACTON LONDON W3 7QH WWW.E2S.COM | ALL DIMENSIONS IN MM IF IN DOUBT, ASK - DO NOT SCALE | | A2 |
| | CHECKED | DATE | MATERIAL | | | | TITLE | SCALE | |
| STANDARDS GNExCP6-BG | R.N.POTTS | 03-02-20 | MARINE GRADE LM6 ALUMINIUM COPPER FREE | 0.8KG | EUROPEAN SAFETY SYSTEMS LTD. AS PER LATEST DATE OF ISSUE SHOWN ABOVE | EUROPEAN SAFETY SYSTEMS LTD IMPRESS HOUSE MANSELL ROAD ACTON LONDON W3 7QH WWW.E2S.COM | 1:1 | 1 OF 1 | D154-05-001 |
| | APPROVED | DATE | ALTERNATIVE MATERIAL | | | | | | |
| | R.N.POTTS | 03-02-20 | | | | | | | |

| E2S PART NO. | DESCRIPTION | DATA REFERENCE |
|--|--|----------------|
| GNExCP6A-BG GNExCP6B-BG GNExCP6C-BG GNExCP6D-BG | GNExCP6-BG BREAK GLASS MANUAL CALL POINT | 1.24.010 |

| ISSUE | MOD No. | REASON - INITIAL - DATE |
|-------|---------|---|
| 1 | | INTRODUCTION DAH - 03-02-2020 |
| 2 | | CUSTOMER INFORMATION ADDED JS - 22-05-2020 |
| 3 | | LABEL NOTES ADDED MM 31-07-2023 |



ISOMETRIC VIEW



NOTE:

FOR OPTIONAL DUTY LABEL SEE DRAWING D254-00-011
FOR OPTIONAL TAG PLATE SEE DRAWING D254-00-121

| | | | | | | | | | |
|---|--------------------------------|-----------------------|---|---|---|---|--|------------------------|---------------|
| DRAWING TO BS8888:2000 GEOMETRIC TOLERANCES TO ISO1101:1983 LINEAR DIMENSIONAL TOLS ANGULAR DIMENSIONAL TOLS | DRAWN D.HOWGILL | DATE 03-02-20 | SURFACE FINISH POWDER COAT | WEIGHT (kg) 0.8KG | THIS DRAWING AND ANY INFORMATION OR DESCRIPTIVE MATTER THEREIN IS COMMUNICATED IN CONFIDENCE AND IS THE COPYRIGHT PROPERTY OF EUROPEAN SAFETY SYSTEMS LTD. NEITHER THE WHOLE OR ANY EXTRACT MAY BE DISCLOSED, LOANED, COPIED OR USED FOR MANUFACTURING OR TENDERING PURPOSES WITHOUT THEIR WRITTEN CONSENT. | EUROPEAN SAFETY SYSTEMS LTD IMPRESS HOUSE MANSELL ROAD ACTON LONDON W3 7QH WWW.E2S.COM | ALL DIMENSIONS IN MM IF IN DOUBT, ASK - DO NOT SCALE | | A2 |
| | CHECKED R.N.POTTS | DATE 03-02-20 | MATERIAL MARINE GRADE LM6 ALUMINIUM COPPER FREE | TITLE GNExCP6-BG MANUAL CALL POINT BREAK GLASS OUTLINE DRAWING | | | | | |
| | STANDARDS GNExCP6-BG | APPROVED R.N.POTTS | DATE 03-02-20 | ALTERNATIVE MATERIAL | | | SCALE 1:1 | SHEET 1 OF 1 | |