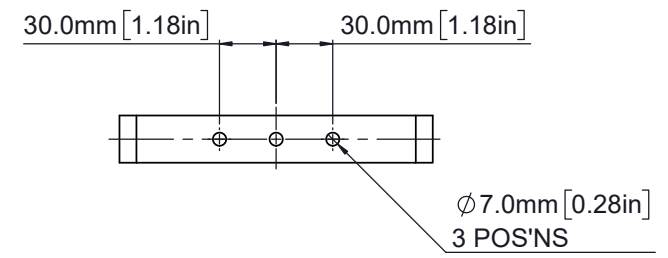
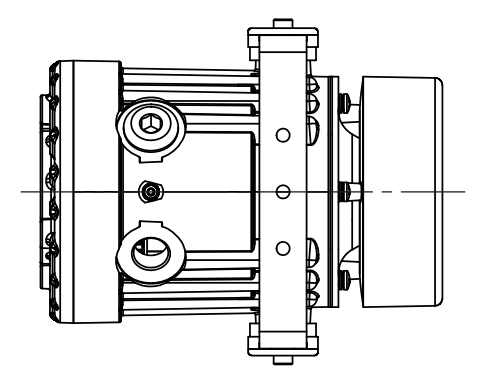
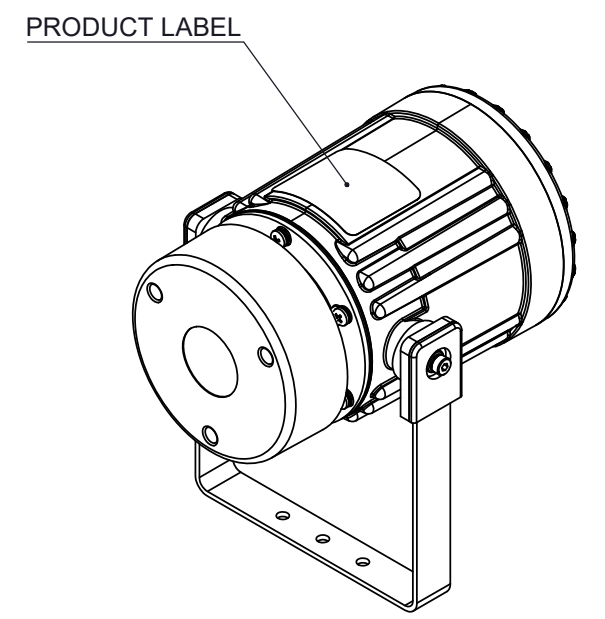
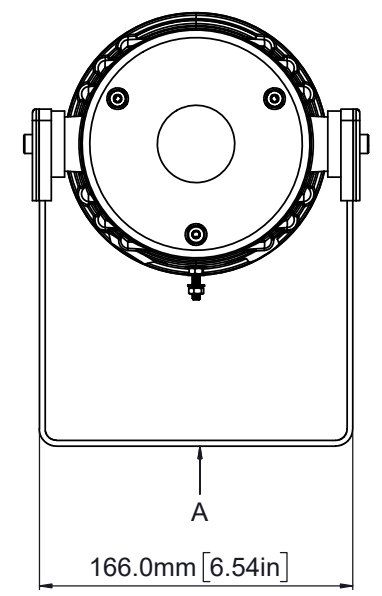
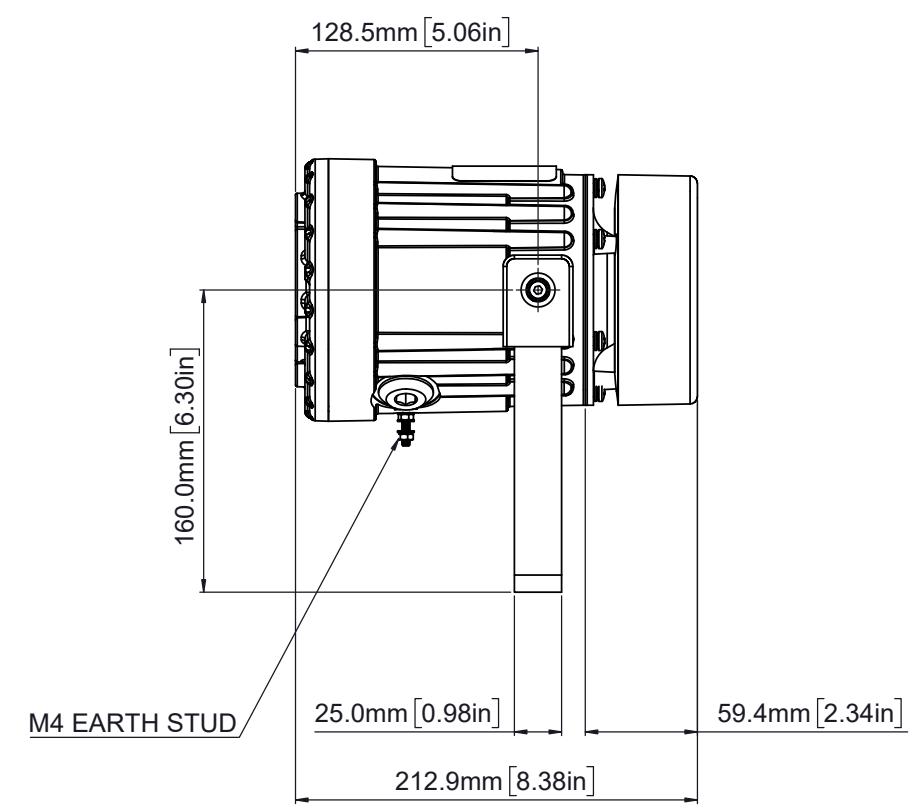
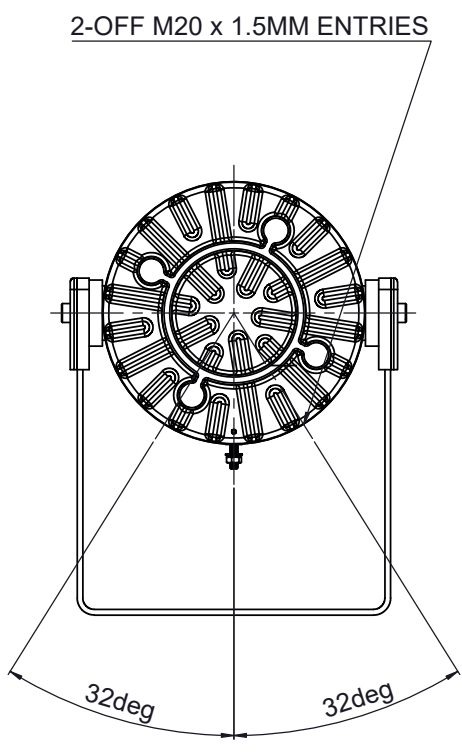
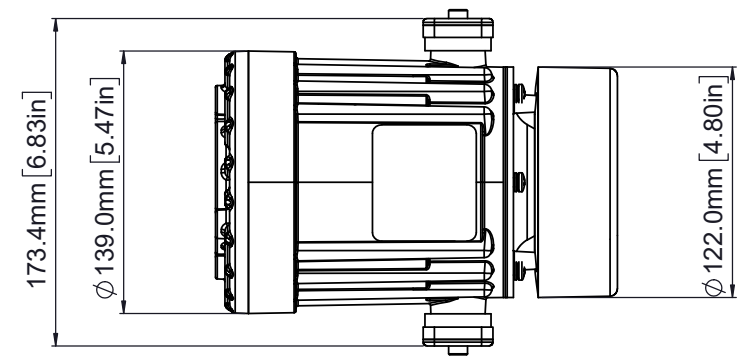


ISSUE	MOD No.	REASON - INITIAL - DATE
1		Introduction JS - 23/03/2021
2		LABEL NOTES ADDED MM 31-07-2023



E2S PART NO.	DESCRIPTION	DATA REFERENCE
GNExS1R	GNEX S1 RADIAL ALARM SOUNDER (Ex d VERSION)	1-22-030

NOTE:
FOR OPTIONAL DUTY LABEL SEE DRAWING D254-00-001
FOR OPTIONAL TAG PLATE SEE DRAWING D254-00-101

DRAWING TO BS888:2000 GEOMETRIC TOLERANCES TO ISO1101:1983 LINEAR DIMENSIONAL TOLS ANGULAR DIMENSIONAL TOLS	DRAWN	DATE	SURFACE FINISH	WEIGHT (kg)	THIS DRAWING AND ANY INFORMATION OR DESCRIPTIVE MATTER THEREIN IS COMMUNICATED IN CONFIDENCE AND IS THE COPYRIGHT PROPERTY OF EUROPEAN SAFETY SYSTEMS LTD. NEITHER THE WHOLE OR ANY EXTRACT MAY BE DISCLOSED, LOANED, COPIED OR USED FOR MANUFACTURING OR TENDERING PURPOSES WITHOUT THEIR WRITTEN CONSENT.	 EUROPEAN SAFETY SYSTEMS LTD IMPRESS HOUSE MANSELL ROAD ACTON LONDON W3 7QH WWW.E2S.COM	<small>ALL DIMENSIONS IN MM IF IN DOUBT, ASK - DO NOT SCALE</small>		A1	
	CHECKED	DATE	MATERIAL							
STANDARDS	R.POTTS	23/03/21	GRP		<small>EUROPEAN SAFETY SYSTEMS LTD. AS PER LATEST DATE OF ISSUE SHOWN ABOVE</small>	<small>EUROPEAN SAFETY SYSTEMS LTD. IMPRESS HOUSE MANSELL ROAD ACTON LONDON W3 7QH WWW.E2S.COM</small>	<small>TITLE</small> GNExS1R SOUNDER OUTLINE DRAWING	<small>SCALE</small> 1:2	<small>SHEET</small> 1 OF 1	<small>DRAWING NUMBER</small> D157-05-051
	GNEx Range	APPROVED	DATE	ALTERNATIVE MATERIAL						
	R.POTTS	23/03/21								