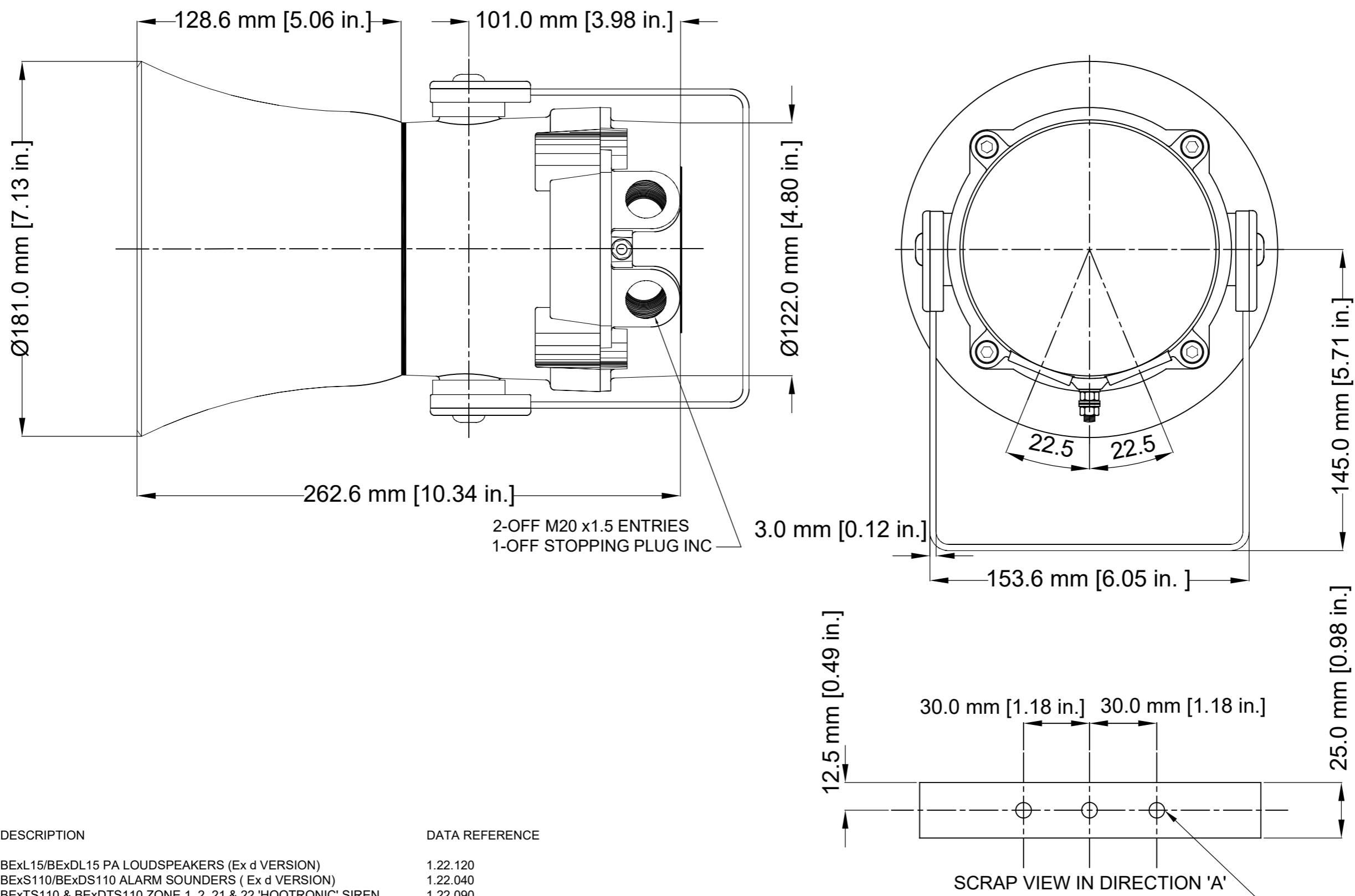


ISSUE	MOD No.	INITIAL/DATE
1		TAKEN FROM SK0112 RSR 06-09-2022
2		LABEL NOTES ADDED MM 31-07-2023



E2S PART NO.	DESCRIPTION	DATA REFERENCE
BExL15D...	BExL15/BExDL15 PA LOUDSPEAKERS (Ex d VERSION)	1.22.120
BExS110D...	BExS110/BExDS110 ALARM SOUNDERS (Ex d VERSION)	1.22.040
BExTS110D...	BExTS110 & BExDTS110 ZONE 1, 2, 21 & 22 'HOOTRONIC' SIREN	1.22.090

NOTE:
FOR OPTIONAL DUTY LABEL SEE DRAWING D254-00-001
FOR OPTIONAL TAG PLATE SEE DRAWING D254-00-101

DRAWING TO BS8888:2000 GEOMETRIC TOLERANCES TO ISO1101:1983 LINEAR DIMENSIONAL TOLS ANGULAR DIMENSIONAL TOLS	DRAWN R.RAIT	DATE 06-09-2022	SURFACE FINISH	WEIGHT (Kg)	THIS DRAWING AND ANY INFORMATION OR DESCRIPTIVE MATTER THEREIN IS COMMUNICATED IN CONFIDENCE AND IS THE COPYRIGHT PROPERTY OF EUROPEAN SAFETY SYSTEMS LTD. NEITHER THE WHOLE OR ANY EXTRACT MAY BE DISCLOSED, LOANED, COPIED OR USED FOR MANUFACTURING OR TENDERING PURPOSES WITHOUT THEIR WRITTEN CONSENT.	 warning signals EUROPEAN SAFETY SYSTEMS LTD IMPRESS HOUSE MANSELL ROAD ACTON LONDON W3 7QH WWW.E2S.COM	ALL DIMENSIONS IN MM IF IN DOUBT, ASK - DO NOT SCALE	 A2
	CHECKED B.ISARD	DATE 06-09-2022	MATERIAL	ALTERNATIVE MATERIAL			TITLE BEx S110/L15 Ex d RANGE - SOUNDER OUTLINE	
STANDARDS	APPROVED R.POTTS	DATE 06-09-2022			EUROPEAN SAFETY SYSTEMS LTD. AS PER LATEST DATE OF ISSUE SHOWN ABOVE	SCALE NTS	SHEET 1 OF 1	DRAWING NUMBER D210-05-001

3 x Ø7mm [0.28 in.] dia.
Mounting Holes