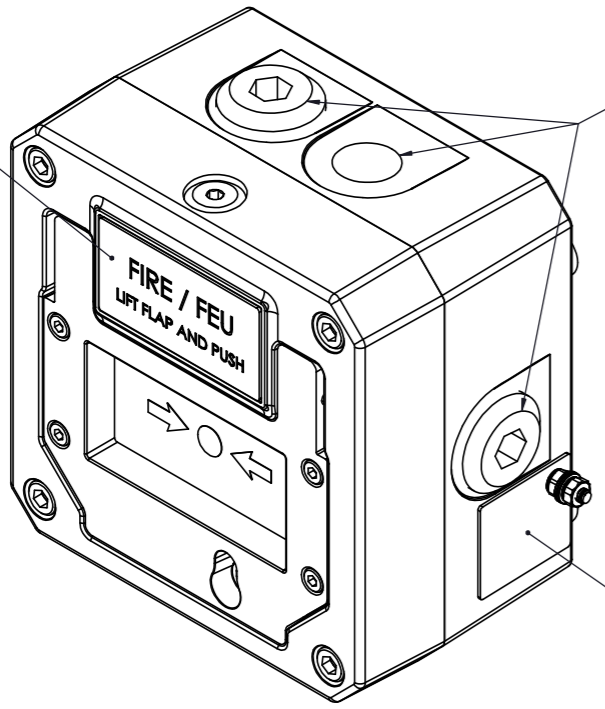


ISSUE	MOD No.	REASON - INITIAL - DATE
A		Introduction RNP 12-04-2022
B		Note on back box orientation and version type amended RNP 22-10-2022
C		LED Option added side view. RNP 27-08-2023

DUTY LABEL ON FIRE PRODUCT [v] = F SHOWN WITH TEXT FIRE / FEU LIFT FLAP AND PUSH

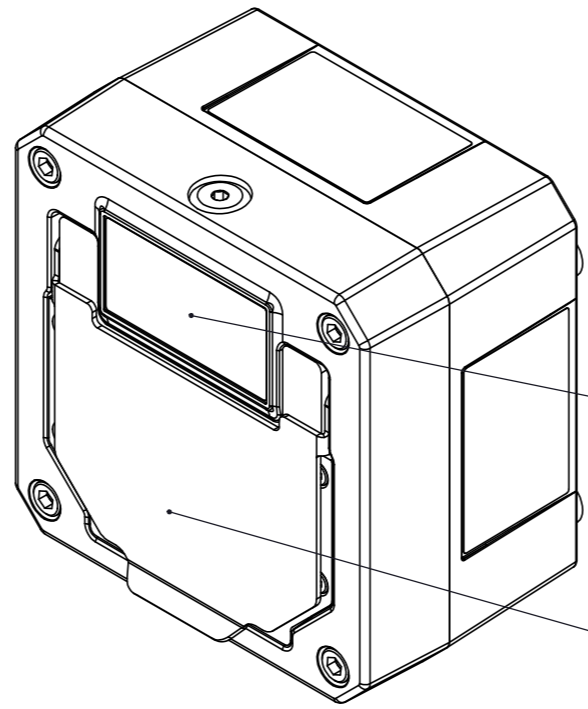


3 OFF M20x1.5mm Ex d APPROVED CABLE GLAND OR STOPPING PLUGS TO BE USED IN EACH ENTRY

NOTE : BACK BOX CAN BE ORIENTATED WITH DUAL CABLE ENTRIES FACING UP OR DOWN

OPTIONAL EQUIPMENT TAG LOCATION SEE NOTES

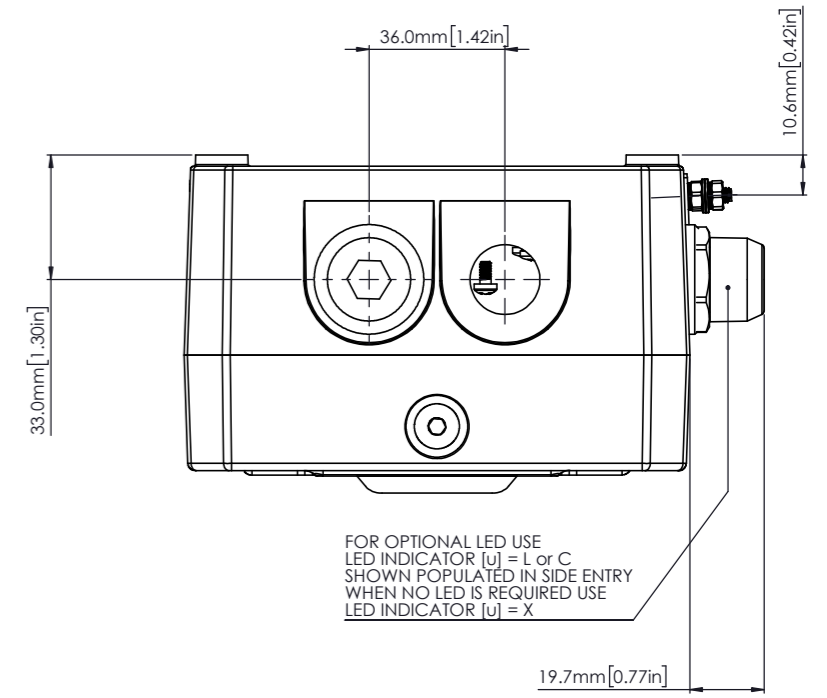
UNIT SHOWN AS PRODUCT VERSION [v] = F (FIRE PRODUCT UL38) WITH FIRE DUTY LABEL AND EQUIPMENT TAG WITH NO LIFT FLAP BACK BOX WITH CABLE ENTRIES FACING UP



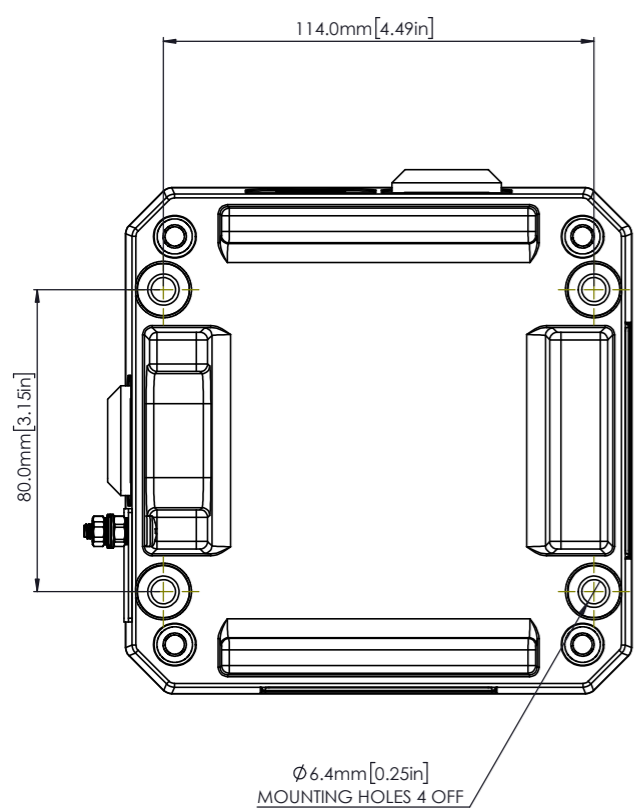
OPTIONAL DUTY LABEL ON PRODUCT VERSION [v] = A SHOWN BLANK CUSTOMER TO SPECIFY TEXT AS REQUIRED SEE NOTES

OPTIONAL LIFT FLAP SHOWN IN CLOSED POSITION

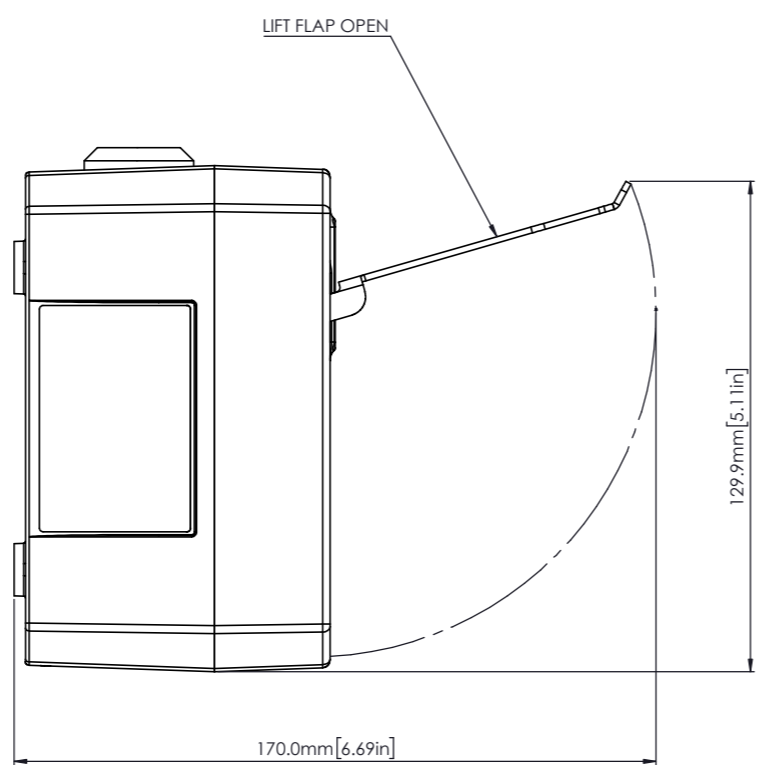
UNIT SHOWN AS PRODUCT VERSION [v] = A WITH STANDARD DUTY LABEL WITH LIFT FLAP BACK BOX MOUNTED WITH CABLE ENTRIES FACING DOWN



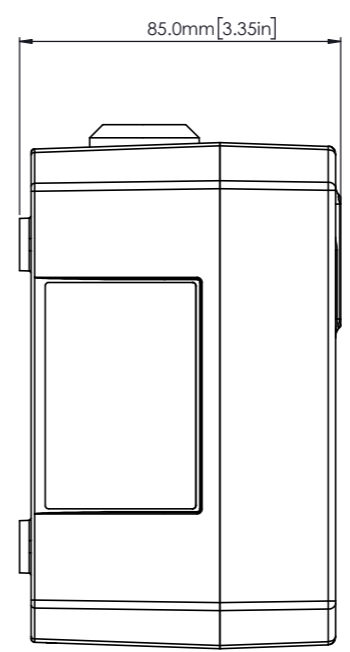
FOR OPTIONAL LED USE LED INDICATOR [u] = L or C SHOWN POPULATED IN SIDE ENTRY WHEN NO LED IS REQUIRED USE LED INDICATOR [u] = X



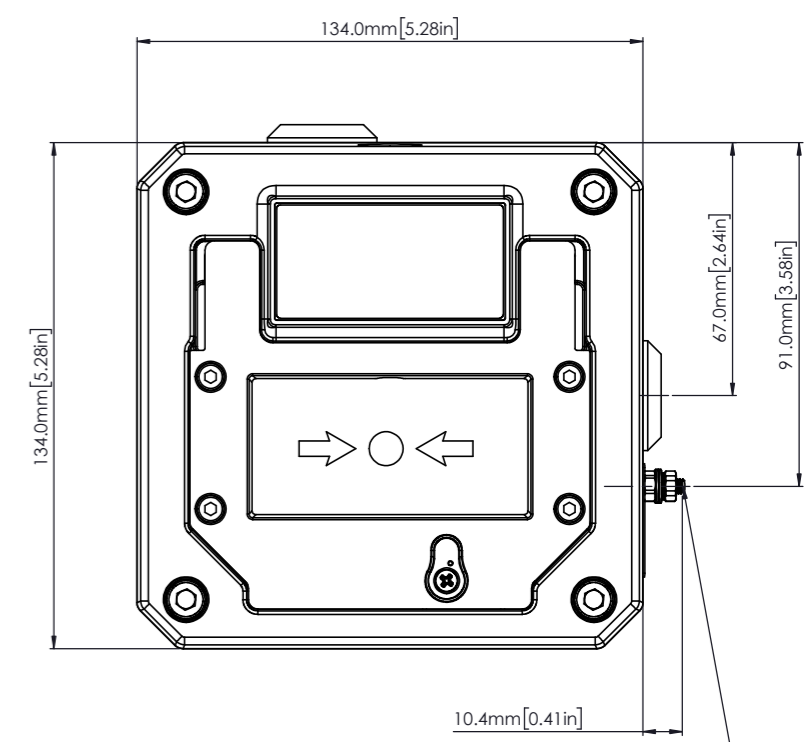
Ø6.4mm [0.25in] MOUNTING HOLES 4 OFF



SIDE VIEW SHOWN WITH FLIP LID OPEN



SIDE VIEW SHOWN WITH NO FLIP LID



EXTERNAL M4 EARTH STUD

E2S PART No.	DESCRIPTION	DATA REFERENCE
GNExCP7-BG	GRP BREAKGLASS CALL POINT	1-24-150

NOTES :-
FOR OPTIONAL DUTY LABEL SEE DRAWING D254-00-011
FOR OPTIONAL TAG PLATE SEE DRAWING D254-00-111

DRAWING TO BS8888:2000 GEOMETRIC TOLERANCES TO ISO1101:1983 LINEAR DIMENSIONAL TOOLS ANGULAR DIMENSIONAL TOOLS	DRAWN R.N.POTTS	DATE 12-04-2022	SURFACE FINISH	WEIGHT (kg)	THIS DRAWING AND ANY INFORMATION OR DESCRIPTIVE MATTER THEREIN IS COMMUNICATED IN CONFIDENCE AND IS THE COPYRIGHT PROPERTY OF EUROPEAN SAFETY SYSTEMS LTD. NEITHER THE WHOLE OR ANY EXTRACT MAY BE DISCLOSED, LOANED, COPIED OR USED FOR MANUFACTURING OR TENDERING PURPOSES WITHOUT THEIR WRITTEN CONSENT. EUROPEAN SAFETY SYSTEMS LTD. AS PER LATEST DATE OF ISSUE SHOWN ABOVE	 EUROPEAN SAFETY SYSTEMS LTD IMPRESS HOUSE MANSELL ROAD ACTON LONDON W3 7QH WWW.E2S.COM	ALL DIMENSIONS IN MM IF IN DOUBT, ASK - DO NOT SCALE	 A1
	CHECKED B.ISARD	DATE 12-04-2022	MATERIAL	ALTERNATIVE MATERIAL				
STANDARDS PRODUCT REF	APPROVED R.N.POTTS	DATE 12-04-2022			TITLE GNExCP7-BG BREAKGLASS CALL POINT OUTLINE DRAWING	SCALE 1:1	SHEET 1 OF 2	DRAWING NUMBER D202-05-001