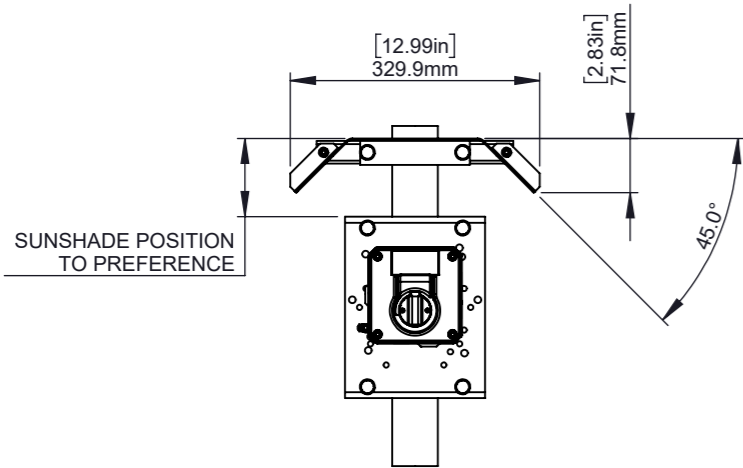
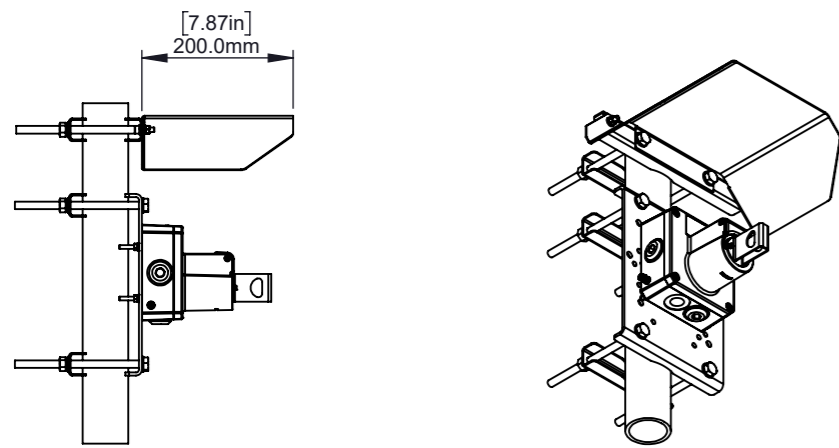


### OPTIONAL SUNSHADE

VIEWS SHOWN TO SCALE 1:10



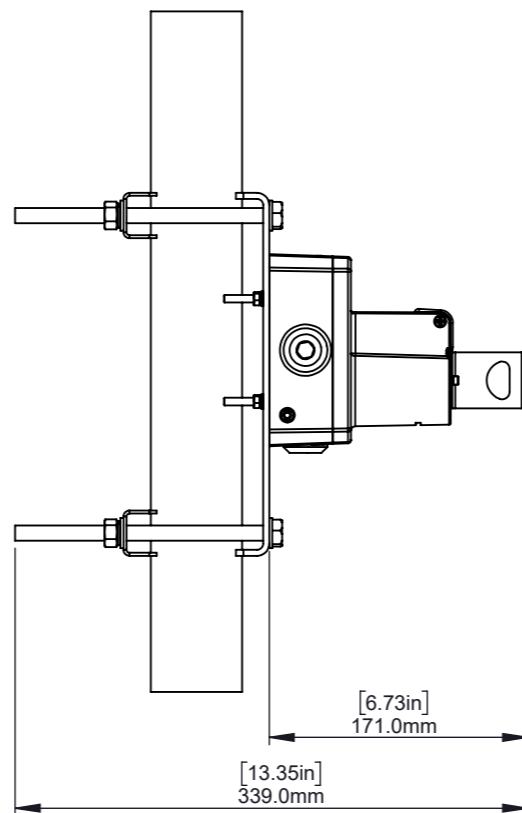
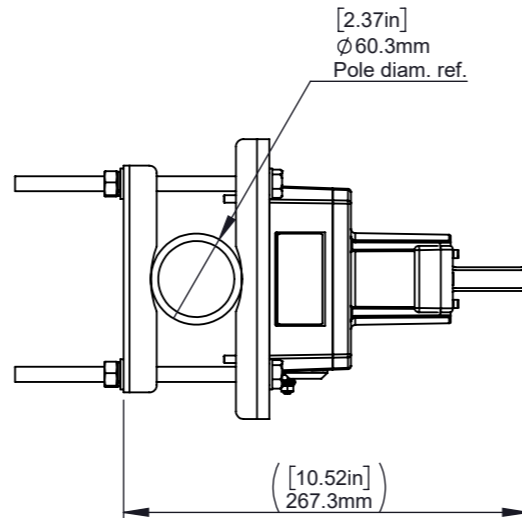
SMALL SUNSHADE - ORDER CODE SP65-0002



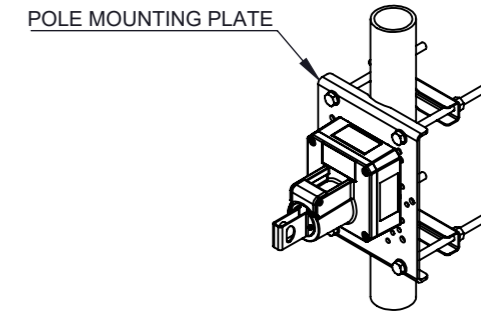
### MOUNTING POLE UNIT OUTLINE DRAWING

DN 50mm/NPS 2" POLE (MAX. SIZE DN 100mm/NPS 4")  
MOUNTING PLATE KIT ORDER CODE: SP65-0001

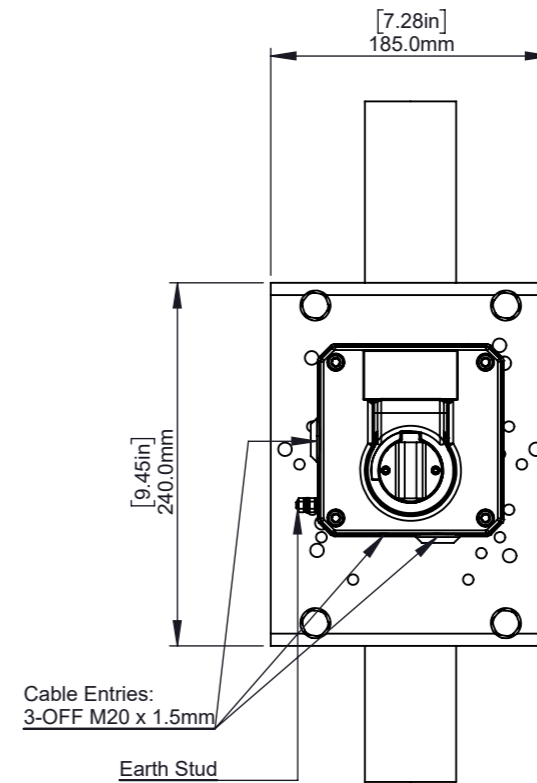
PRODUCT VIEWS IN THIS SHEET APPLY TO THE FOLLOWING MODELS:  
• STExCP8-PB



ISSUE	MOD No.	REASON - INITIAL - DATE
1		Introduction. Created from D217-05-381_Issue_1. MA 03/01/2024



ISOMETRIC VIEW  
SCALE 1:10



DRAWING TO BS8888:2000  
GEOMETRIC TOLERANCES TO ISO1101:1983  
LINEAR DIMENSIONAL TOLS  
ANGULAR DIMENSIONAL TOLS

DRAWN M.ABALOS DATE 03/01/2024

CHECKED R.N.POTTS DATE 03/01/2024

APPROVED R.N.POTTS DATE 03/01/2024

STANDARDS  
**PRODUCT REF**

SURFACE FINISH WEIGHT (Kg)

MATERIAL

ALTERNATIVE MATERIAL

THIS DRAWING AND ANY INFORMATION OR DESCRIPTIVE MATTER THEREIN IS COMMUNICATED IN CONFIDENCE AND IS THE COPYRIGHT PROPERTY OF EUROPEAN SAFETY SYSTEMS LTD. NEITHER THE WHOLE OR ANY EXTRACT MAY BE DISCLOSED, LOANED, COPIED OR USED FOR MANUFACTURING OR TENDERING PURPOSES WITHOUT THEIR WRITTEN CONSENT.

© EUROPEAN SAFETY SYSTEMS LTD.  
AS PER LATEST DATE OF ISSUE SHOWN ABOVE



EUROPEAN SAFETY SYSTEMS LTD  
IMPRESS HOUSE  
MANSELL ROAD  
ACTON  
LONDON W3 7QH  
WWW.E2S.COM

ALL DIMENSIONS IN MM  
IF IN DOUBT, ASK -  
DO NOT SCALE



A3

TITLE DN 50mm/NPS 2" POLE MOUNTED UNIT -  
STExCP8-PB OUTLINE DRAWING

SCALE 1:5 SHEET 1 OF 1

DRAWING NUMBER  
**D217-05-382**