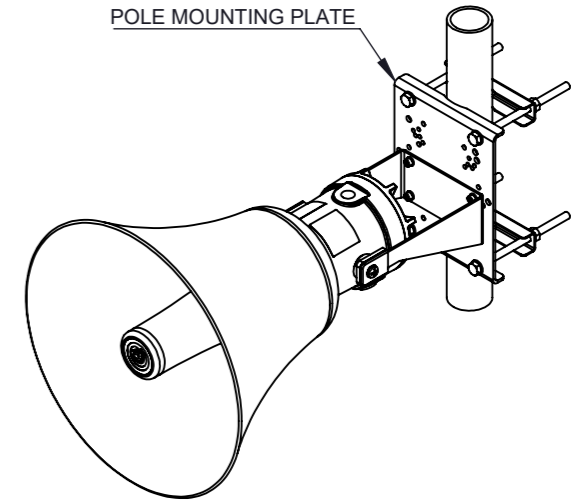
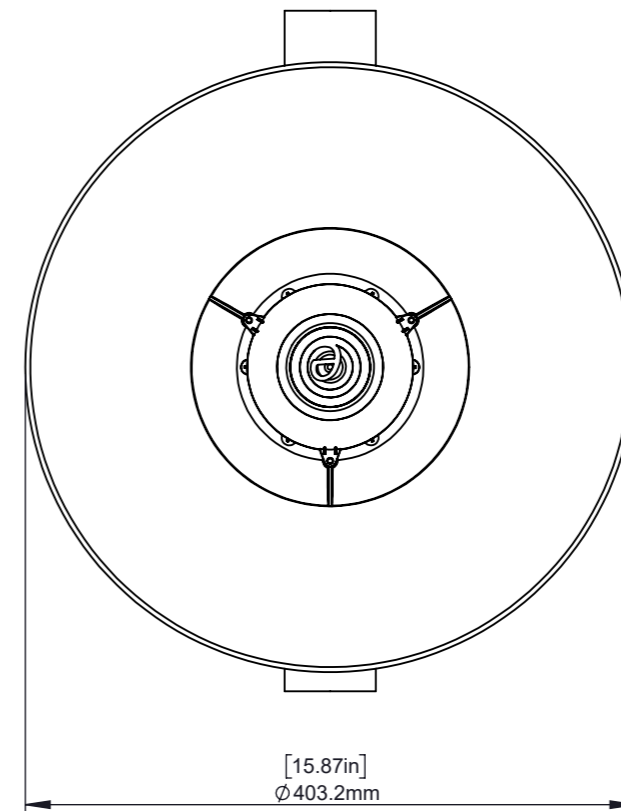
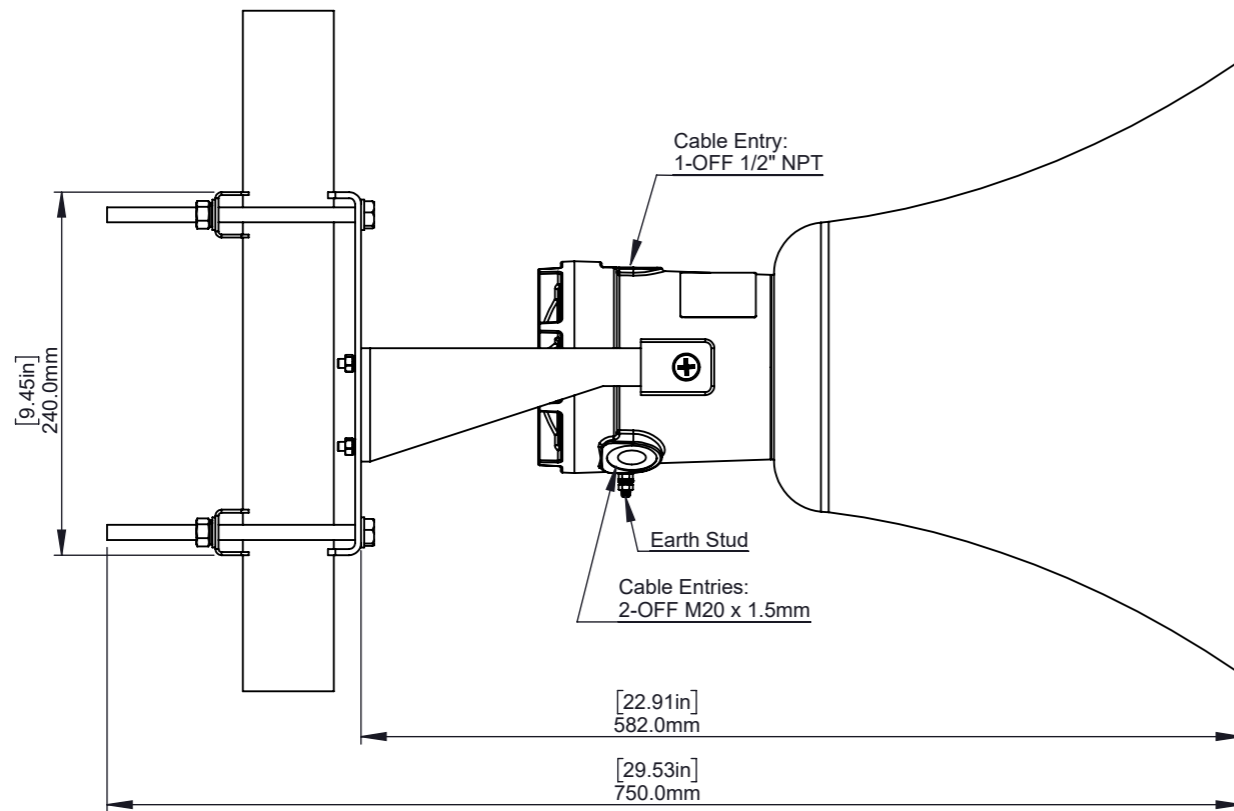
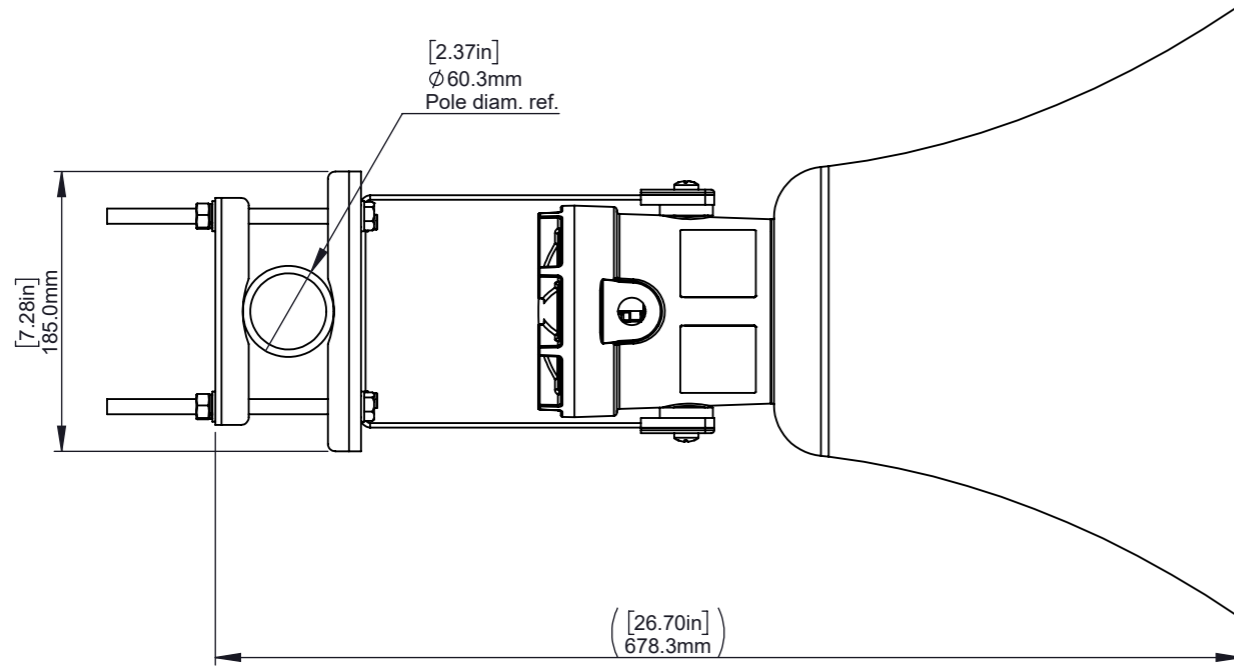


MOUNTING POLE UNIT OUTLINE DRAWING

DN 50mm/NPS 2" POLE (MAX. SIZE DN 100mm/NPS 4")
MOUNTING PLATE KIT ORDER CODE: SP65-0001

PRODUCT VIEWS IN THIS SHEET APPLY TO THE FOLLOWING MODELS:

- D1xS2H
- D1xL2H
- D2xS2H
- D2xL2H



ISOMETRIC VIEW
SCALE 1:10

ISSUE	MOD No.	REASON - INITIAL - DATE
1		Introduction MA 27/06/2023
2		Added D2xS2 and D2xL2. MA 03/01/2024

DRAWING TO BS8888:2000
GEOMETRIC TOLERANCES TO ISO1101:1983
LINEAR DIMENSIONAL TOLS
ANGULAR DIMENSIONAL TOLS

DRAWN M.ABALOS DATE 27/06/2023

CHECKED R.N.POTTS DATE 27/06/2023

APPROVED R.N.POTTS DATE 27/06/2023

SURFACE FINISH WEIGHT (Kg)

MATERIAL

ALTERNATIVE MATERIAL

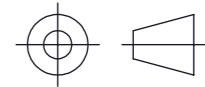
THIS DRAWING AND ANY INFORMATION OR DESCRIPTIVE MATTER THEREIN IS COMMUNICATED IN CONFIDENCE AND IS THE COPYRIGHT PROPERTY OF EUROPEAN SAFETY SYSTEMS LTD. NEITHER THE WHOLE OR ANY EXTRACT MAY BE DISCLOSED, LOANED, COPIED OR USED FOR MANUFACTURING OR TENDERING PURPOSES WITHOUT THEIR WRITTEN CONSENT.

© EUROPEAN SAFETY SYSTEMS LTD. AS PER LATEST DATE OF ISSUE SHOWN ABOVE



EUROPEAN SAFETY SYSTEMS LTD
IMPRESS HOUSE
MANSELL ROAD
ACTON
LONDON W3 7QH
WWW.E2S.COM

ALL DIMENSIONS IN MM
IF IN DOUBT, ASK -
DO NOT SCALE



A3

TITLE DN 50mm/NPS 2" POLE MOUNTED UNIT -
D1xS2/D1xL2/D2xS2/D2xL2 (H HORN) OUTLINE DWG

SCALE	SHEET	DRAWING NUMBER
1:5	1 OF 1	D217-05-062

STANDARDS
PRODUCT REF