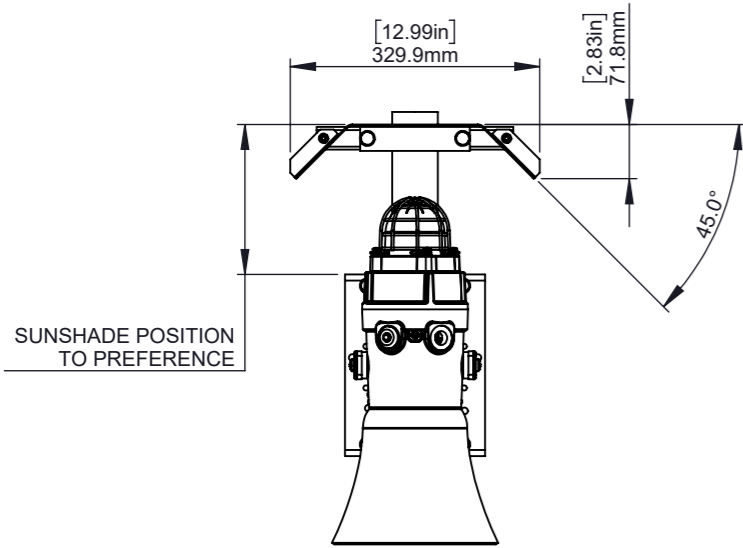
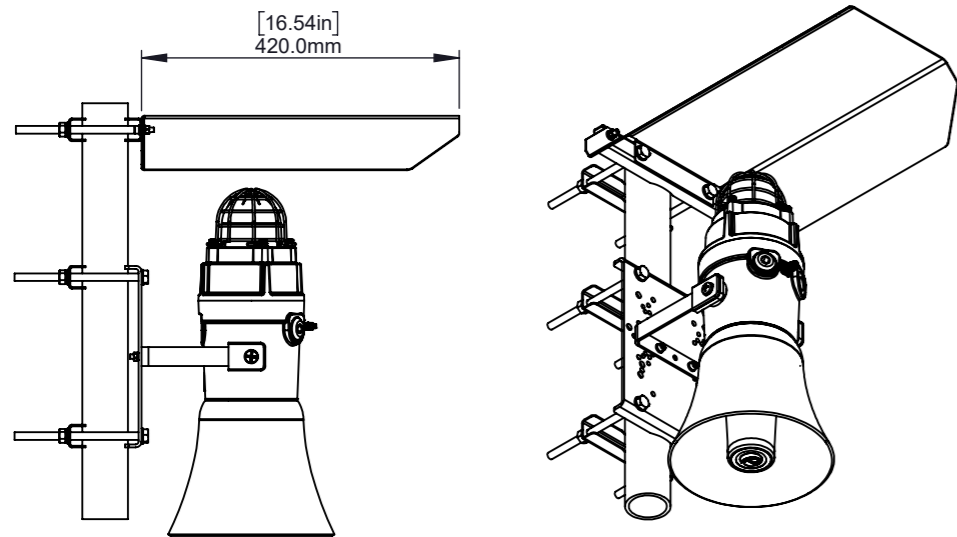


OPTIONAL SUNSHADE

VIEWS SHOWN TO SCALE 1:10



LARGE SUNSHADE - ORDER CODE SP65-0003

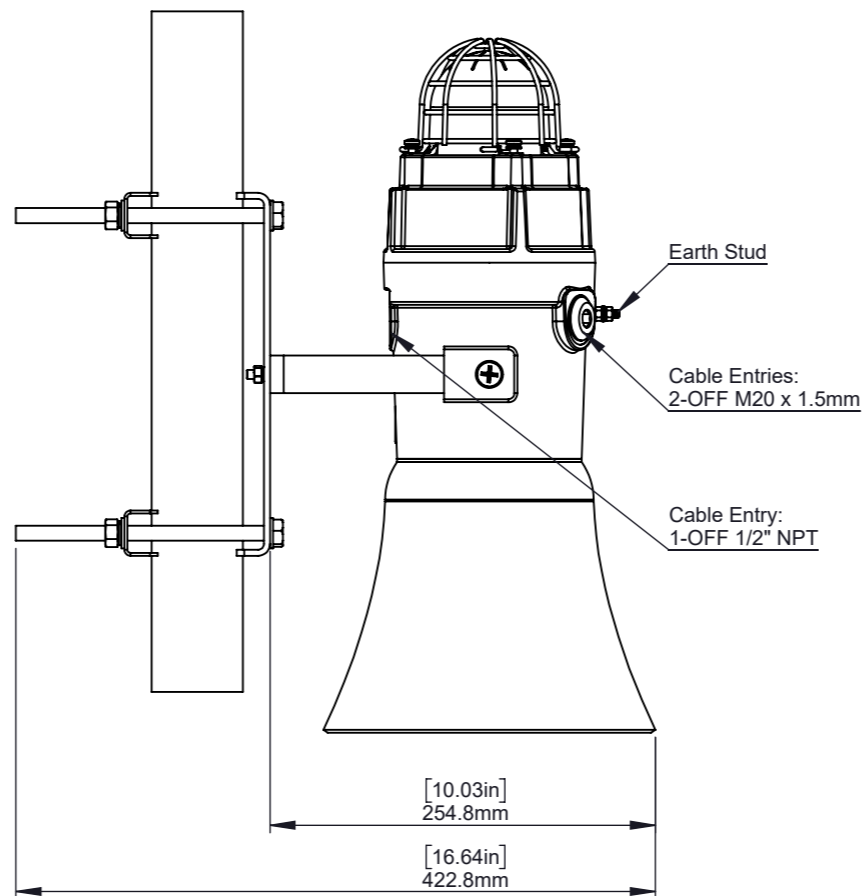
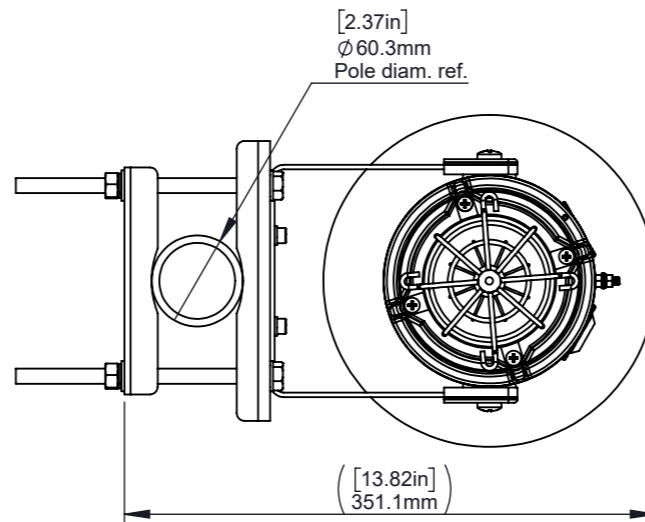


MOUNTING POLE UNIT OUTLINE DRAWING

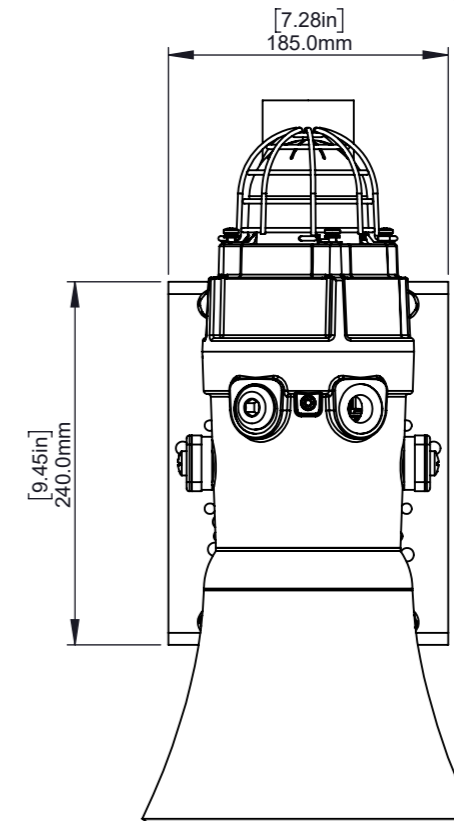
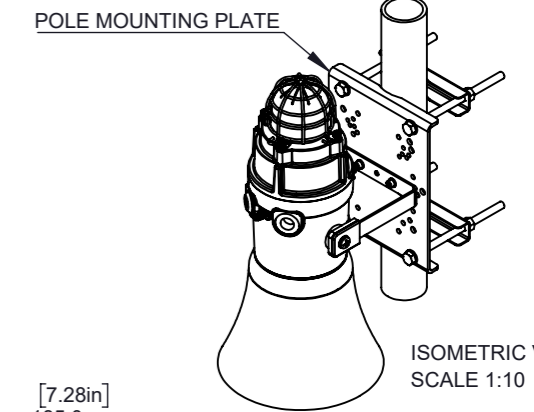
DN 50mm/NPS 2" POLE (MAX. SIZE DN 100mm/NPS 4")
MOUNTING PLATE KIT ORDER CODE: SP65-0001

PRODUCT VIEWS IN THIS SHEET APPLY TO THE FOLLOWING MODELS:

- D1xC2X05F
- D1xC2X10F



ISSUE	MOD No.	REASON - INITIAL - DATE
1		Introduction. Created from D217-05-661_Issue_1. MA 03/01/2024



DRAWING TO BS8888:2000
GEOMETRIC TOLERANCES TO ISO1101:1983
LINEAR DIMENSIONAL TOLS
ANGULAR DIMENSIONAL TOLS

DRAWN M.ABALOS DATE 03/01/2024

CHECKED R.N.POTTS DATE 03/01/2024

APPROVED R.N.POTTS DATE 03/01/2024

STANDARDS
PRODUCT REF

SURFACE FINISH WEIGHT (Kg)

MATERIAL

ALTERNATIVE MATERIAL

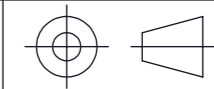
THIS DRAWING AND ANY INFORMATION OR DESCRIPTIVE MATTER THEREIN IS COMMUNICATED IN CONFIDENCE AND IS THE COPYRIGHT PROPERTY OF EUROPEAN SAFETY SYSTEMS LTD. NEITHER THE WHOLE OR ANY EXTRACT MAY BE DISCLOSED, LOANED, COPIED OR USED FOR MANUFACTURING OR TENDERING PURPOSES WITHOUT THEIR WRITTEN CONSENT.

© EUROPEAN SAFETY SYSTEMS LTD. AS PER LATEST DATE OF ISSUE SHOWN ABOVE



EUROPEAN SAFETY SYSTEMS LTD
IMPRESS HOUSE
MANSELL ROAD
ACTON
LONDON W3 7QH
WWW.E2S.COM

ALL DIMENSIONS IN MM
IF IN DOUBT, ASK -
DO NOT SCALE



A3

TITLE DN 50mm/NPS 2" POLE MOUNTED UNIT - D1xC2 (F HORN) OUTLINE DRAWING

SCALE	SHEET	DRAWING NUMBER
1:5	1 OF 1	D217-05-663