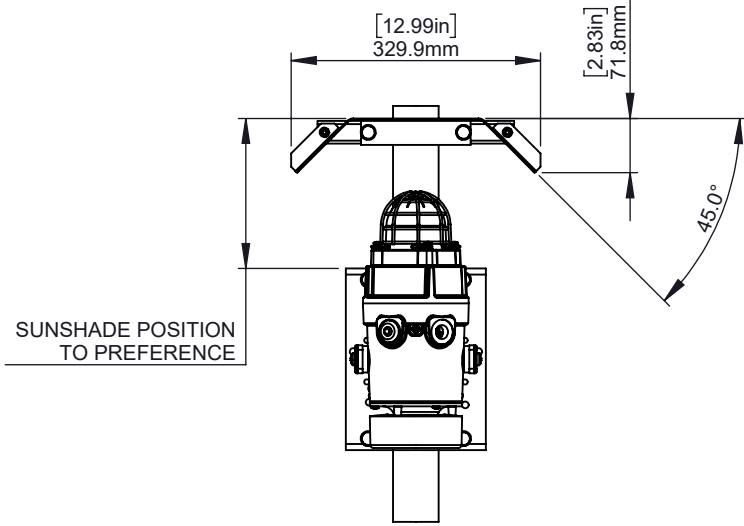
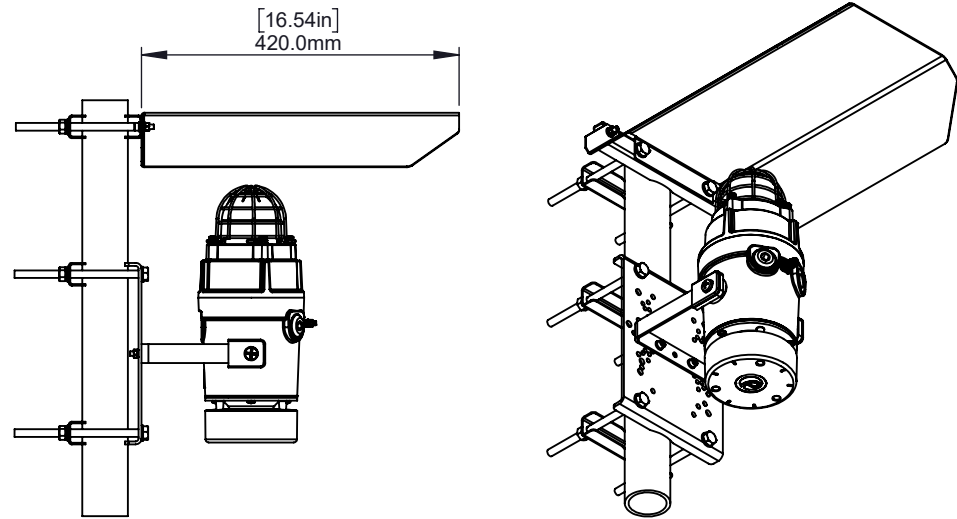


### OPTIONAL SUNSHADE

VIEWS SHOWN TO SCALE 1:10



LARGE SUNSHADE - ORDER CODE SP65-0003

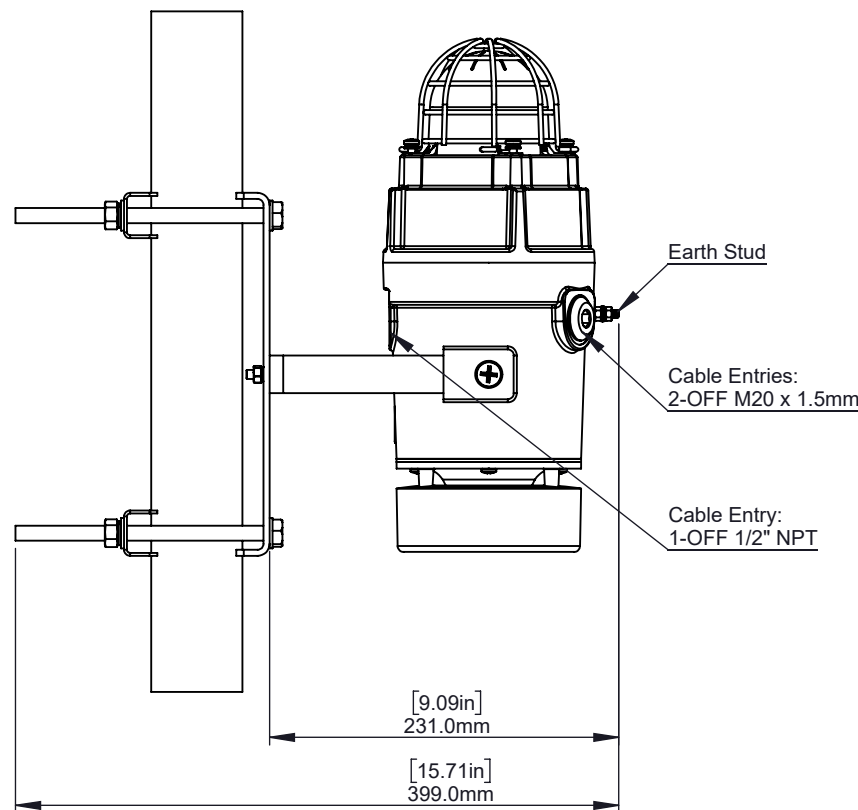
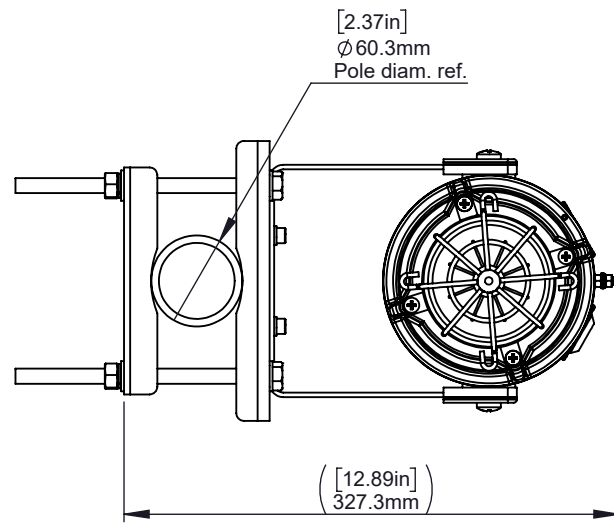


### MOUNTING POLE UNIT OUTLINE DRAWING

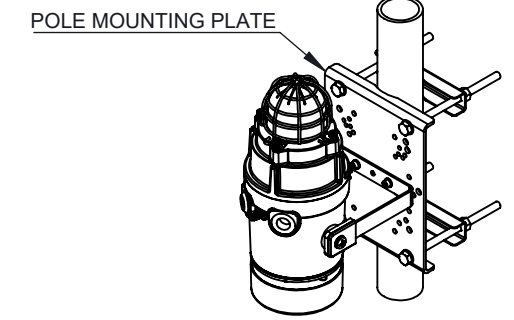
DN 50mm/NPS 2" POLE (MAX. SIZE DN 100mm/NPS 4")  
MOUNTING PLATE KIT ORDER CODE: SP65-0001

PRODUCT VIEWS IN THIS SHEET APPLY TO THE FOLLOWING MODELS:

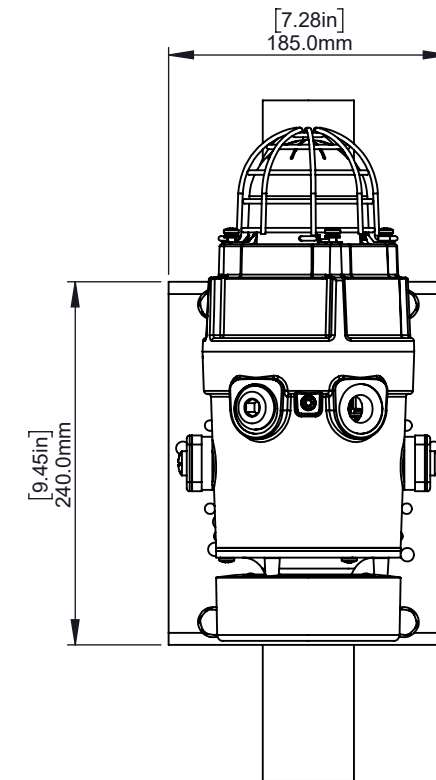
- D1xC1X05R
- D1xC2X05R
- D1xC1X10R
- D1xC2X10R



ISSUE	MOD No.	REASON - INITIAL - DATE
1		Introduction. Created from D217-05-661_Issue_1. MA 03/01/2024



ISOMETRIC VIEW  
SCALE 1:10



DRAWING TO BS8888:2000  
GEOMETRIC TOLERANCES TO ISO1101:1983  
LINEAR DIMENSIONAL TOLS  
ANGULAR DIMENSIONAL TOLS

DRAWN  
M.ABALOS 03/01/2024

CHECKED  
R.N.POTTS 03/01/2024

APPROVED  
R.N.POTTS 03/01/2024

SURFACE FINISH

MATERIAL

ALTERNATIVE MATERIAL

WEIGHT (Kg)

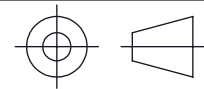
THIS DRAWING AND ANY INFORMATION OR DESCRIPTIVE  
MATTER THEREIN IS COMMUNICATED IN CONFIDENCE AND  
IS THE COPYRIGHT PROPERTY OF EUROPEAN SAFETY  
SYSTEMS LTD. NEITHER THE WHOLE OR ANY EXTRACT MAY  
BE DISCLOSED, LOANED, COPIED OR USED FOR  
MANUFACTURING OR TENDERING PURPOSES WITHOUT THEIR  
WRITTEN CONSENT.

© EUROPEAN SAFETY SYSTEMS LTD.  
AS PER LATEST DATE OF ISSUE SHOWN ABOVE



EUROPEAN SAFETY SYSTEMS LTD  
IMPRESS HOUSE  
MANSELL ROAD  
ACTON  
LONDON W3 7QH  
WWW.E2S.COM

ALL DIMENSIONS IN MM  
IF IN DOUBT, ASK -  
DO NOT SCALE



A3

TITLE DN 50mm/NPS 2" POLE MOUNTED UNIT -  
D1xC1/D1xC2 (R HORN) OUTLINE DRAWING

SCALE	SHEET	DRAWING NUMBER
1:5	1 OF 1	D217-05-664

STANDARDS  
PRODUCT  
REF