

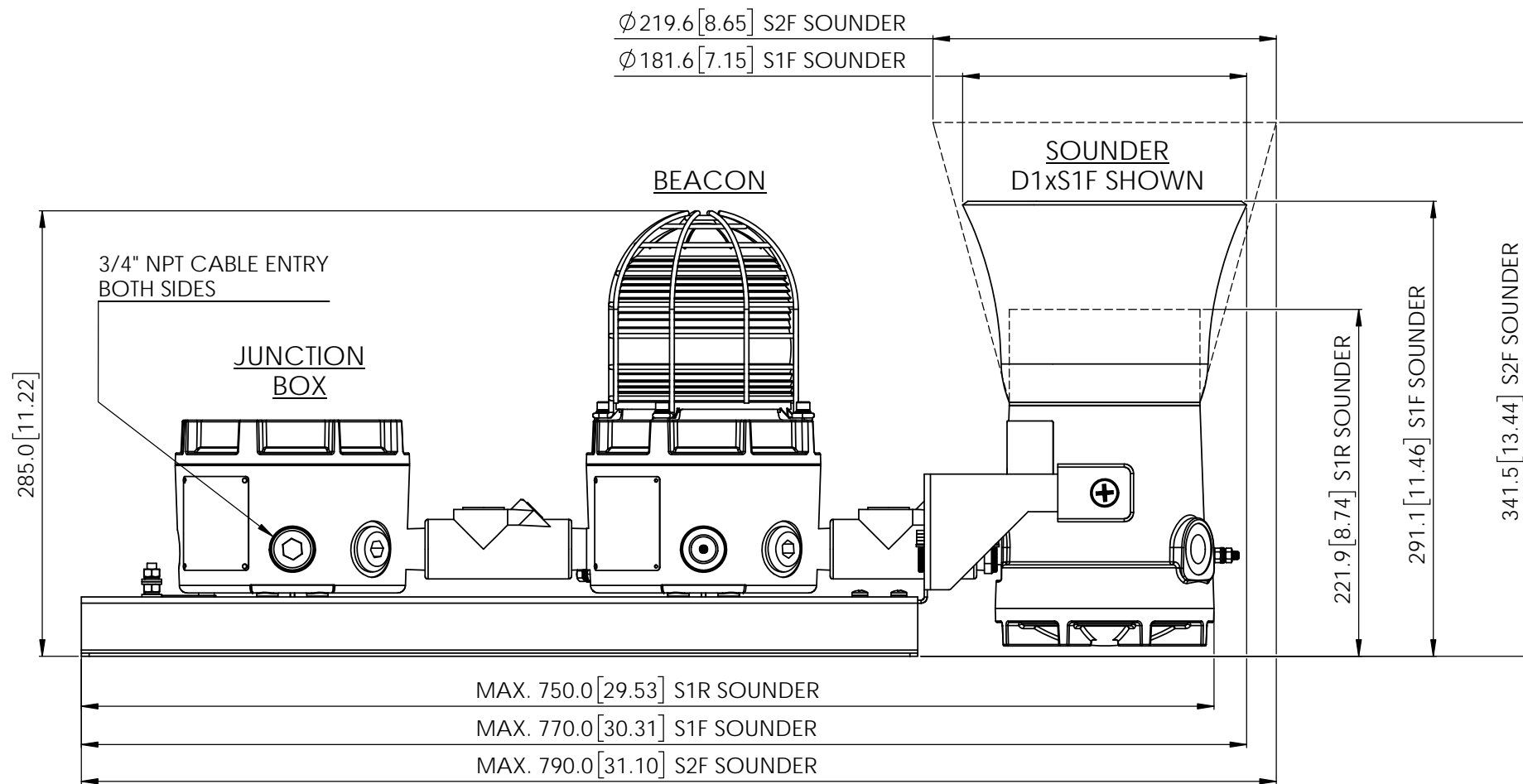
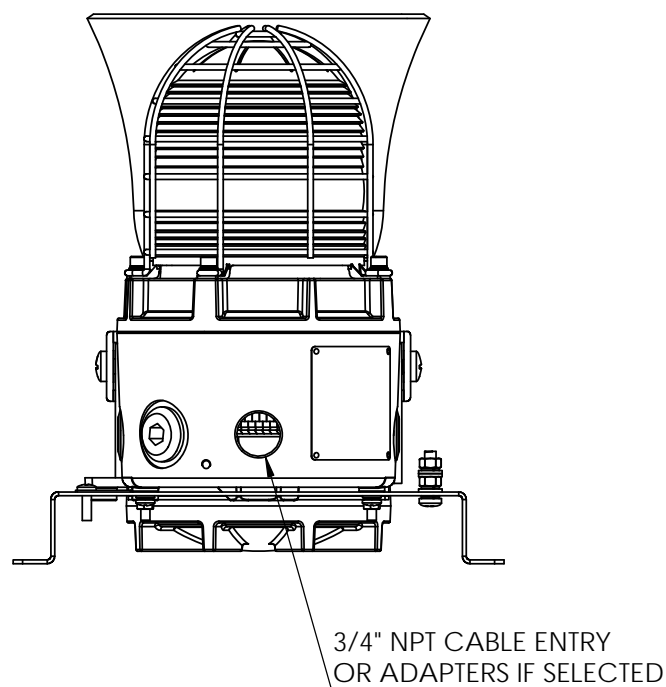
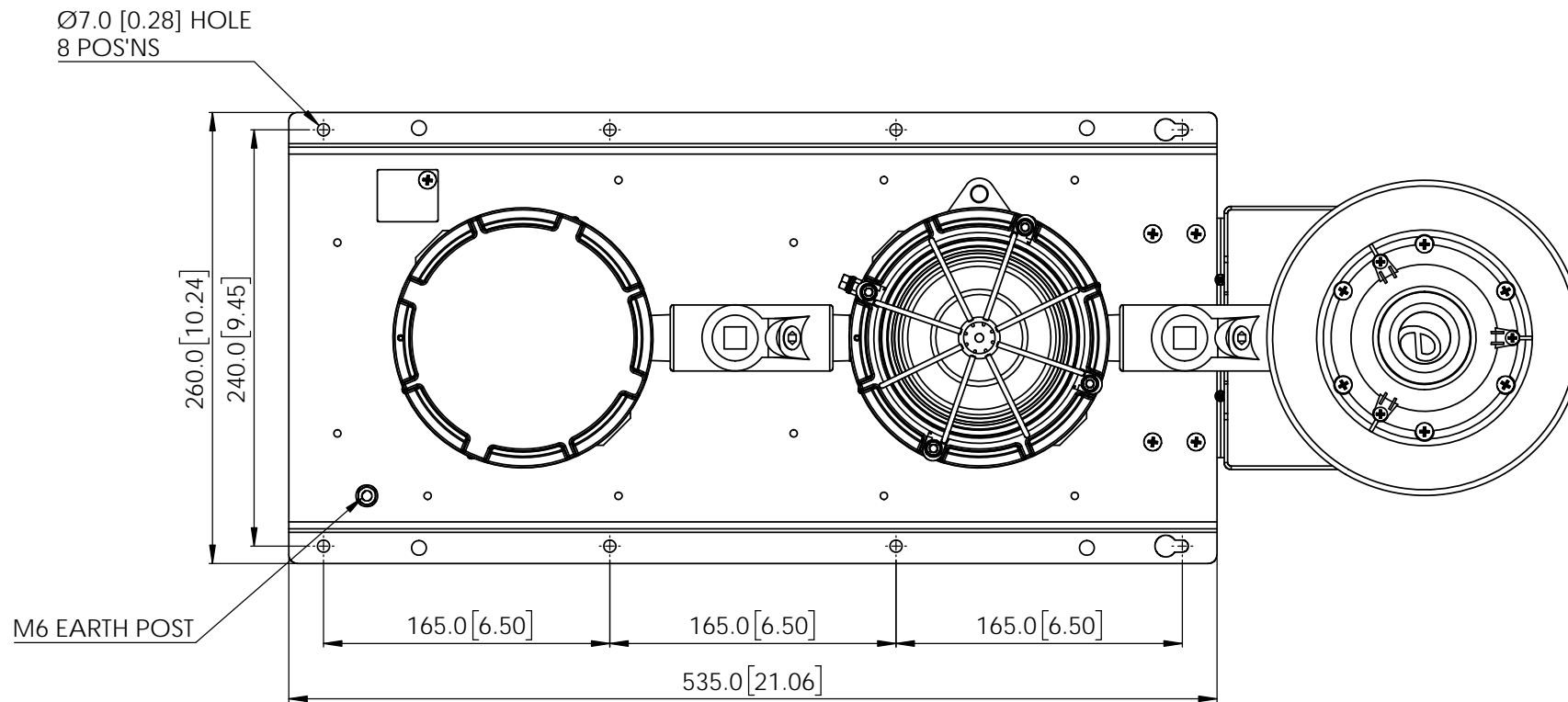
E2S PART NO
D1x[C3][J2][XX][XXX]

DESCRIPTION
D1xC3 STACK
BEACON & ALARM HORN
WITH JUNCTION BOX

DATA REFERENCE
1-26-080

ISSUE	MOD No.	REASON - INITIAL - DATE
1		INTRODUCTION DAH - 09-08-19
2		LABEL NOTES ADDED MM 31-07-2023

Code Options
D1xC3 Stack Type
J2 With Junction Box (J2) / Without (N2)
[XX] Beacon Type
[XXX] Sounder Type (S1R / S1F / S2F)



NOTE:
FOR TAG PLATE SEE DRAWING D254-00-111
FOR OPTIONAL DUTY LABEL, GUARD/TAG MATERIAL OPTION [3] SEE DRAWING D254-00-041
FOR OPTIONAL DUTY LABEL, GUARD/TAG MATERIAL OPTION [4 or 5] SEE DRAWING D254-00-001

DIMENSIONS IN MM & [INCHES]

STANDARDS PRODUCT REF	DRAWN D.A.HOWGILL	DATE 09-08-19	SURFACE FINISH FINISH	WEIGHT (kg)	THIS DRAWING AND ANY INFORMATION OR DESCRIPTIVE MATTER THEREIN IS COMMUNICATED IN CONFIDENCE AND IS THE COPYRIGHT PROPERTY OF EUROPEAN SAFETY SYSTEMS LTD. NEITHER THE WHOLE OR ANY EXTRACT MAY BE DISCLOSED, LOANED, COPIED OR USED FOR MANUFACTURING OR TENDERING PURPOSES WITHOUT THEIR WRITTEN CONSENT.	EUROPEAN SAFETY SYSTEMS LTD. IMPRESS HOUSE MANSELL ROAD ACTON LONDON W3 7QH WWW.E2S.COM	ALL DIMENSIONS IN MM IF IN DOUBT, ASK - DO NOT SCALE			A1
	CHECKED R.N.POTTS	DATE 09-08-19	MATERIAL				TITLE D1XC3 STACK - BEACON & ALARM HORN WITH JUNCTION BOX OUTLINE DRAWING	SCALE 1:2	SHEET 1 OF 1	
	APPROVED R.N.POTTS	DATE 09-08-19	ALTERNATIVE MATERIAL		© EUROPEAN SAFETY SYSTEMS LTD. AS PER LATEST DATE OF ISSUE SHOWN ABOVE					