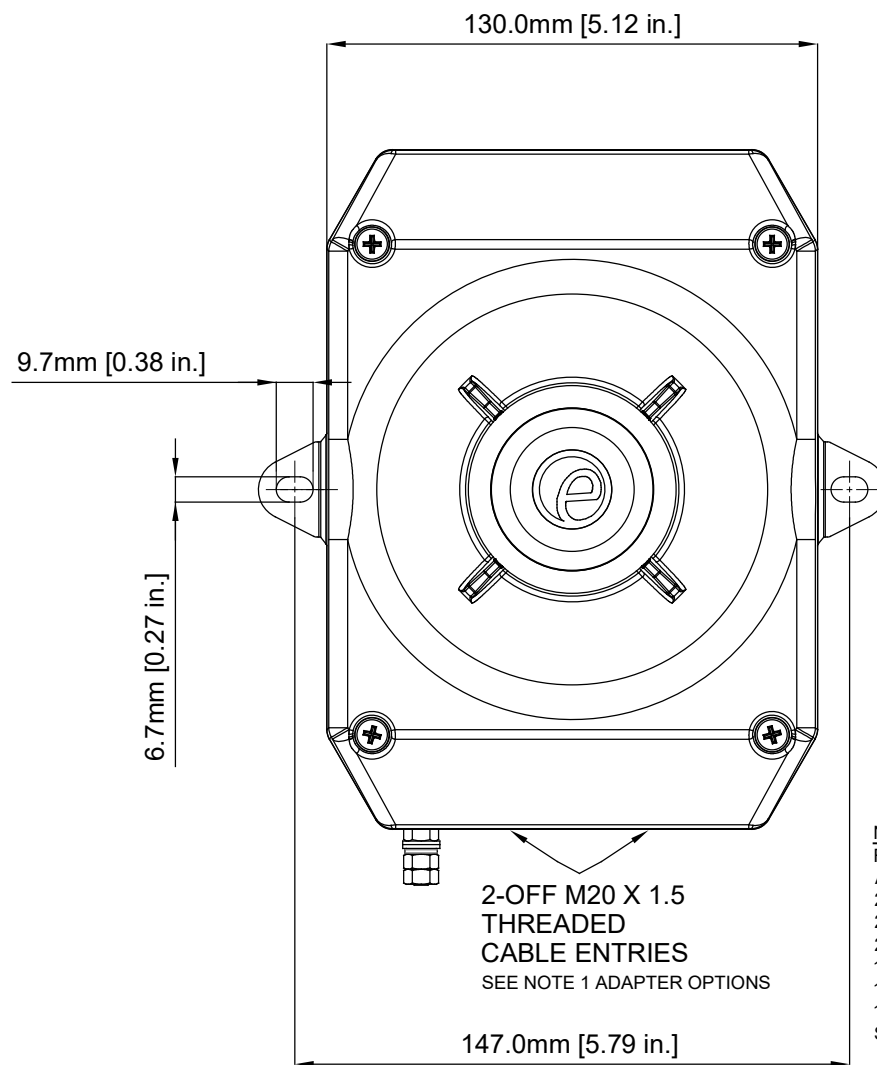
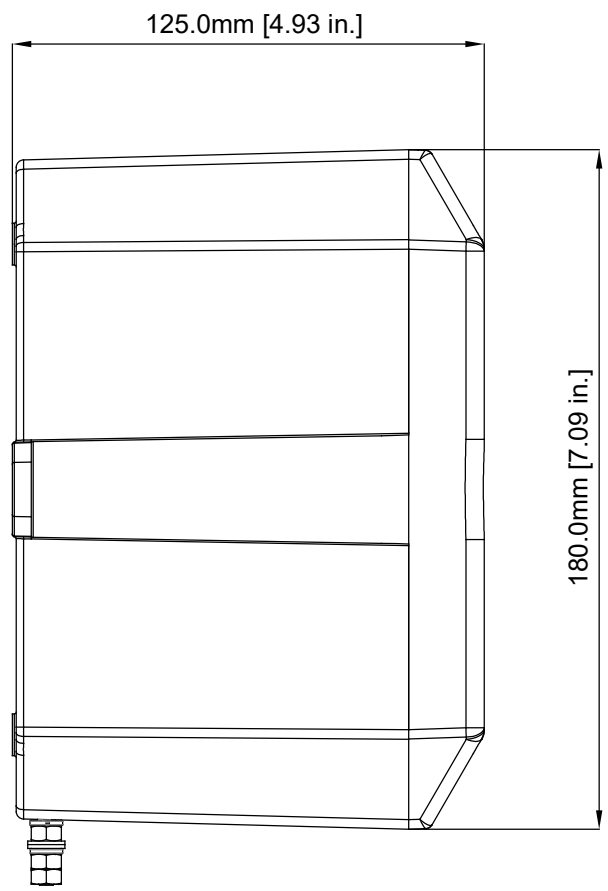


ISSUE	MOD No:	REASON - INITIAL - DATE
A		INTRODUCTION - DH - 20-05-22
B		LABEL NOTES ADDED MM 31-07-2023



2-OFF M20 X 1.5
THREADED
CABLE ENTRIES
SEE NOTE 1 ADAPTER OPTIONS

NOTE 1
FOLLOWING ENTRY OPTIONS
AVAILABLE VIA ADAPTERS:
2-OFF 1/2" NPT;
2-OFF 3/4"NPT;
2-OFF M25 X 1.5mm;
1-OFF 1/2" NPT;
1-OFF 3/4"NPT;
1-OFF M25 X 1.5mm.
SEE WEBSITE FOR PART CODING

E2S PART NO.	DESCRIPTION	DATA REFERENCE
D2xS1...	D2xS1 Ex n SOUNDER	1.32.025

NOTE:
FOR OPTIONAL DUTY LABEL SEE DRAWING D254-00-051
FOR OPTIONAL TAG PLATE SEE DRAWING D254-00-131

DRAWING TO BS8888:2000 GEOMETRIC TOLERANCES TO ISO1101:1983 LINEAR DIMENSIONAL TOLS ANGULAR DIMENSIONAL TOLS	DRAWN D.HOWGILL 20/05/22	DATE 20/05/22	SURFACE FINISH FINISH	WEIGHT (Kg)	THIS DRAWING AND ANY INFORMATION OR DESCRIPTIVE MATTER THEREIN IS COMMUNICATED IN CONFIDENCE AND IS THE COPYRIGHT PROPERTY OF EUROPEAN SAFETY SYSTEMS LTD. NEITHER THE WHOLE OR ANY EXTRACT MAY BE DISCLOSED, LOANED, COPIED OR USED FOR MANUFACTURING OR TENDERING PURPOSES WITHOUT THEIR WRITTEN CONSENT.	 EUROPEAN SAFETY SYSTEMS LTD. IMPRESS HOUSE MANSELL ROAD ACTON LONDON W3 7QH WWW.E2S.COM	ALL DIMENSIONS IN MM IF IN DOUBT, ASK - DO NOT SCALE	 A2
	STANDARDS METAL SOUNDERS	CHECKED R.N.POTTS 20/05/22	DATE 20/05/22	MATERIAL			TITLE D2xS1 SOUNDER OUTLINE	
	APPROVED R.N.POTTS 20/05/22	DATE 20/05/22	ALTERNATIVE MATERIAL	 EUROPEAN SAFETY SYSTEMS LTD. AS PER LATEST DATE OF ISSUE SHOWN ABOVE	SCALE 1:1	SHEET 1 OF 1	DRAWING NUMBER D189-05-001	