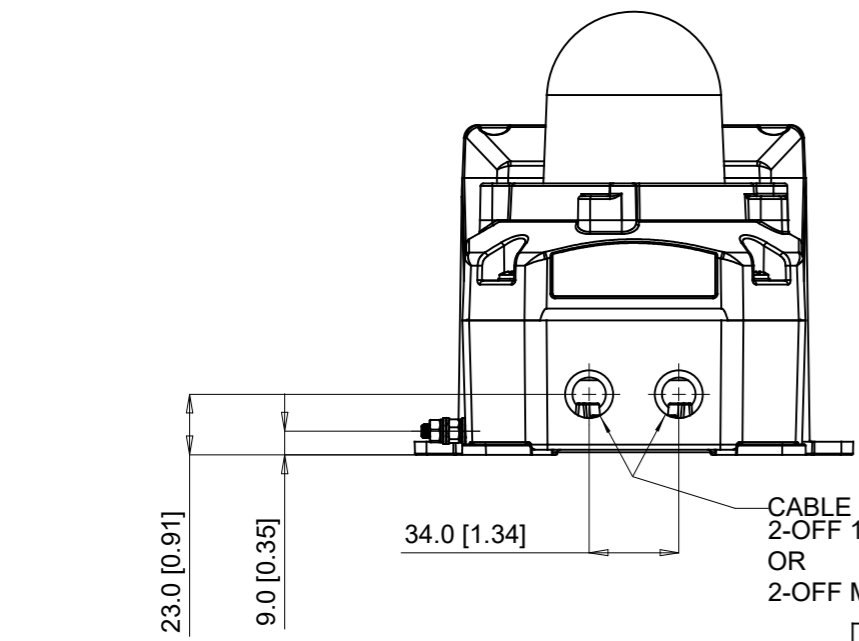
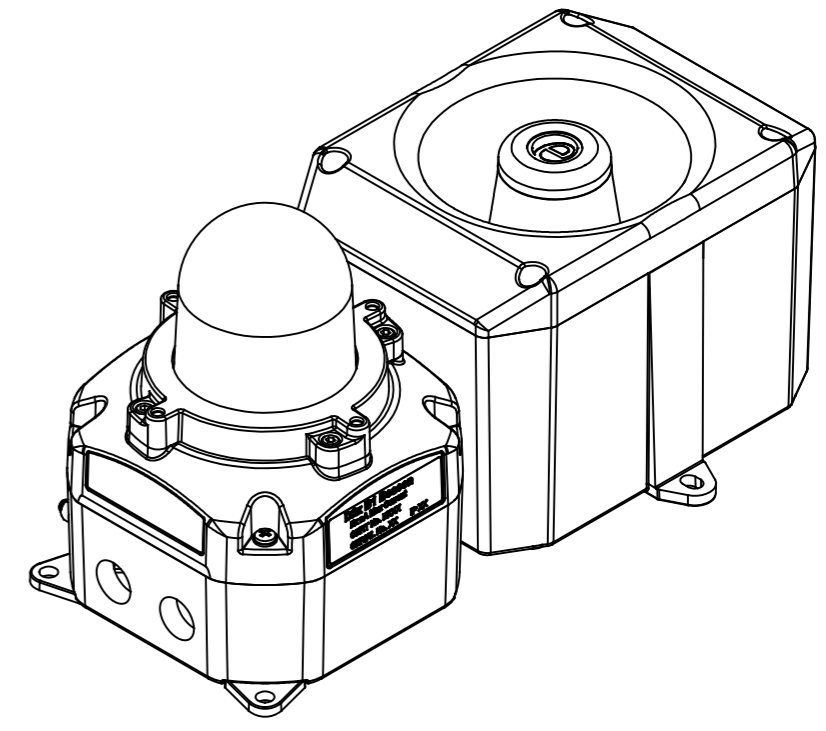
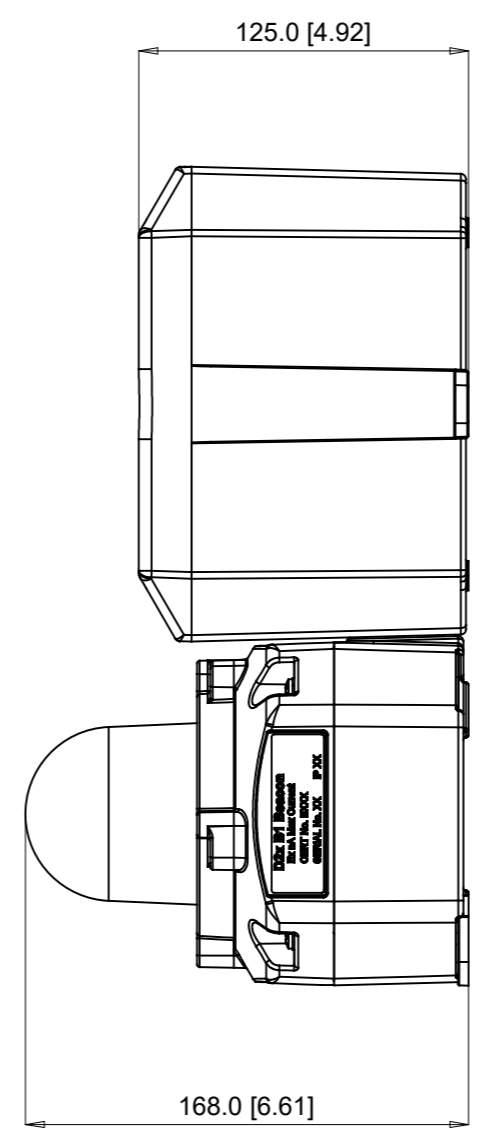
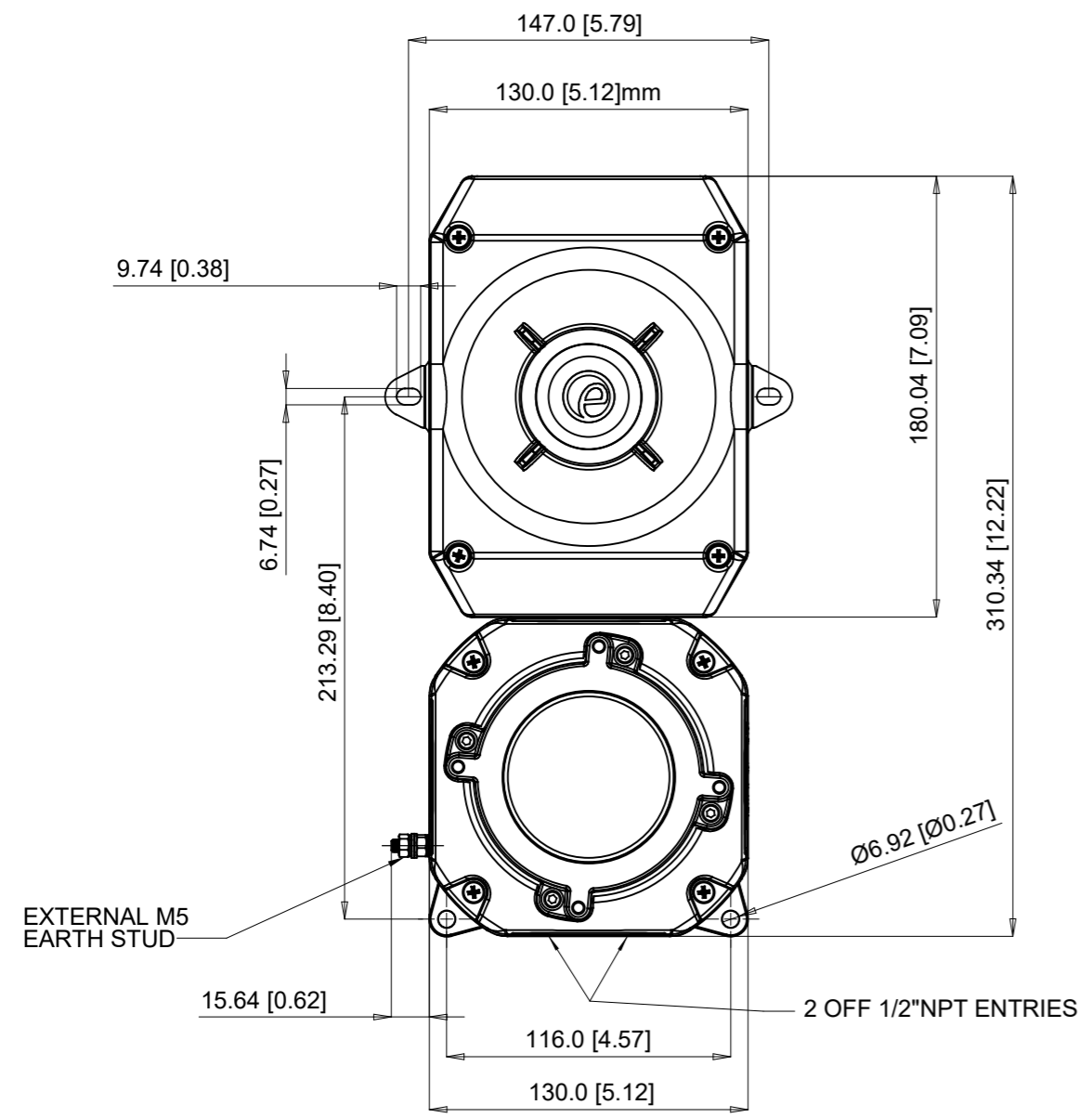


ISSUE	MOD No.	REASON - INITIAL - DATE
1		INTRODUCTION RSR 28-11-2019
2		116mm [4.57"] DIM. ADDED RSR 07-06-2021
3		LABEL NOTES ADDED MM 31-07-2023



CABLE ENTRY OPTIONS
2-OFF 1/2" NPT ENTRIES
OR
2-OFF M20 X 1.5 ENTRIES

E2S PART No.	DESCRIPTION	DATA REFERENCE
D2xC2LD2DC024AN0H1R/C	D2xC2LD2-H COMBINED HORN & LED BEACON PUBLIC FIRE MODE	1-34-040
D2xC2XH1DC024AN0H1R/C	D2xC2XH1 COMBINED HORN & 5J XENON BEACON PUBLIC FIRE MODE	1-34-050
D2xC2XH2DC024AN0H1R/C	D2xC2XH2 COMBINED HORN & 10J XENON BEACON PUBLIC FIRE MODE	1-34-060
D2xC2LD3DC024AN0H1R/C	D2xC2LD3 COMBINED HORN & LED BEACON PUBLIC FIRE MODE	1-34-041

NOTE:

FOR OPTIONAL DUTY LABEL SEE DRAWING D254-00-051
FOR OPTIONAL TAG PLATE SEE DRAWING D254-00-131

DRAWING TO BS8888:2000
GEOMETRIC TOLERANCES TO ISO1101:1983
LINEAR DIMENSIONAL TOLS
ANGULAR DIMENSIONAL TOLS

DRAWN	DATE
R.S. RAIT	28-11-2019
CHECKED	DATE
B.ISARD	28-11-2019
APPROVED	DATE
R.N.POTTS	28-11-2019

SURFACE FINISH	WEIGHT (Kg)
MATERIAL	
ALTERNATIVE MATERIAL	

THIS DRAWING AND ANY INFORMATION OR DESCRIPTIVE MATTER THEREIN IS COMMUNICATED IN CONFIDENCE AND IS THE COPYRIGHT PROPERTY OF EUROPEAN SAFETY SYSTEMS LTD. NEITHER THE WHOLE OR ANY EXTRACT MAY BE DISCLOSED, LOANED, COPIED OR USED FOR MANUFACTURING OR TENDERING PURPOSES WITHOUT THEIR WRITTEN CONSENT.

EUROPEAN SAFETY SYSTEMS LTD.
AS PER LATEST DATE OF ISSUE SHOWN ABOVE



ALL DIMENSIONS IN MM IF IN DOUBT, ASK - DO NOT SCALE		A2	
TITLE D2xC2LD2 COMBO SOUNDER BEACON PUBLIC MODE UL1971 OUTLINE DRAWING			
SCALE	SHEET	DRAWING NUMBER	
1:1	1 OF 1	D211-05-651	