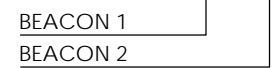


ISSUE	MOD No.	REASON - INITIAL - DATE
1		INTRODUCTION DAH - 19/09/2019
2		LABEL NOTES ADDED MM 31-07-2023

E2S PART NO.
D2xC4[J1][XX][XX]S1

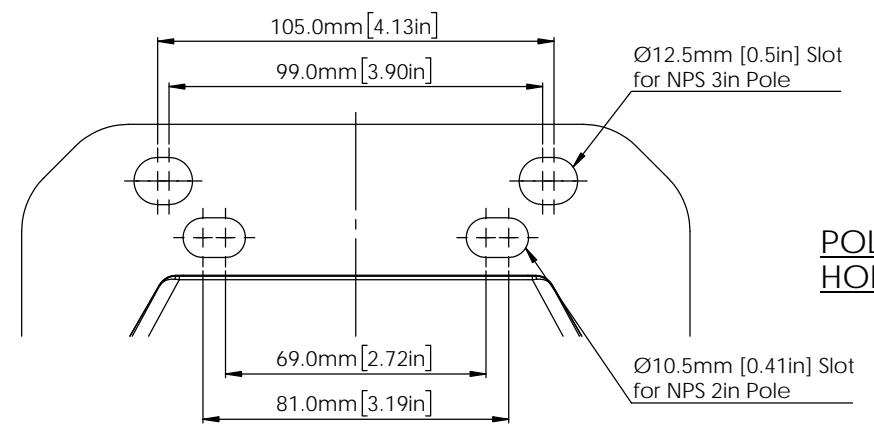
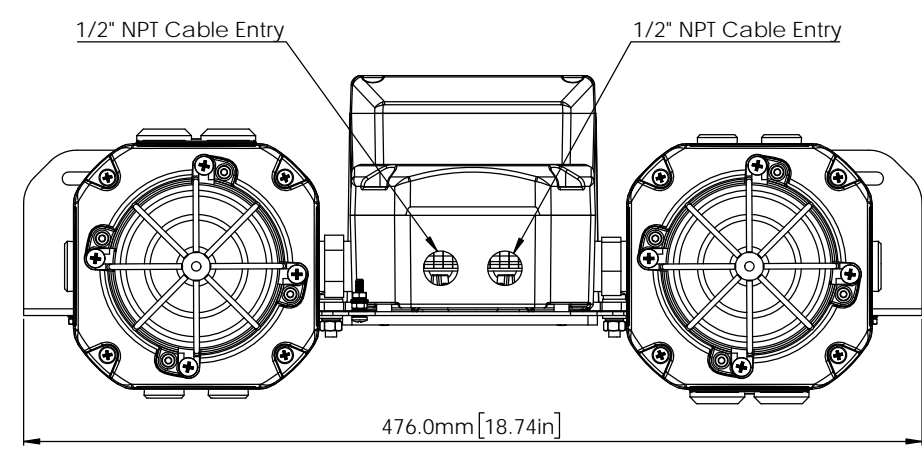
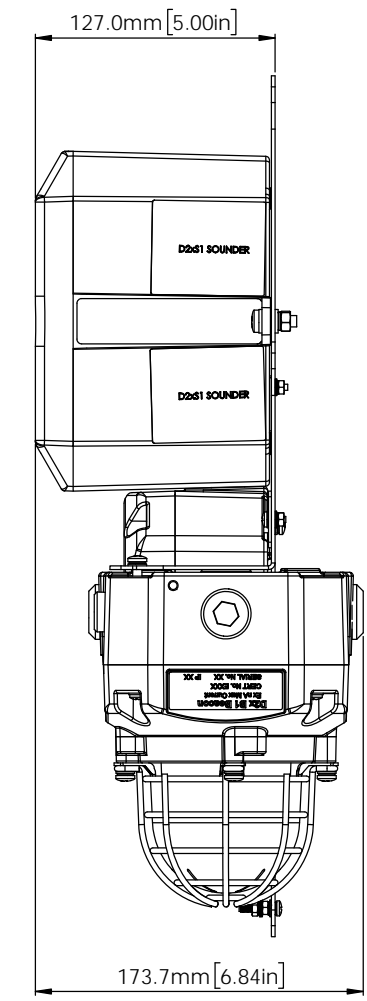
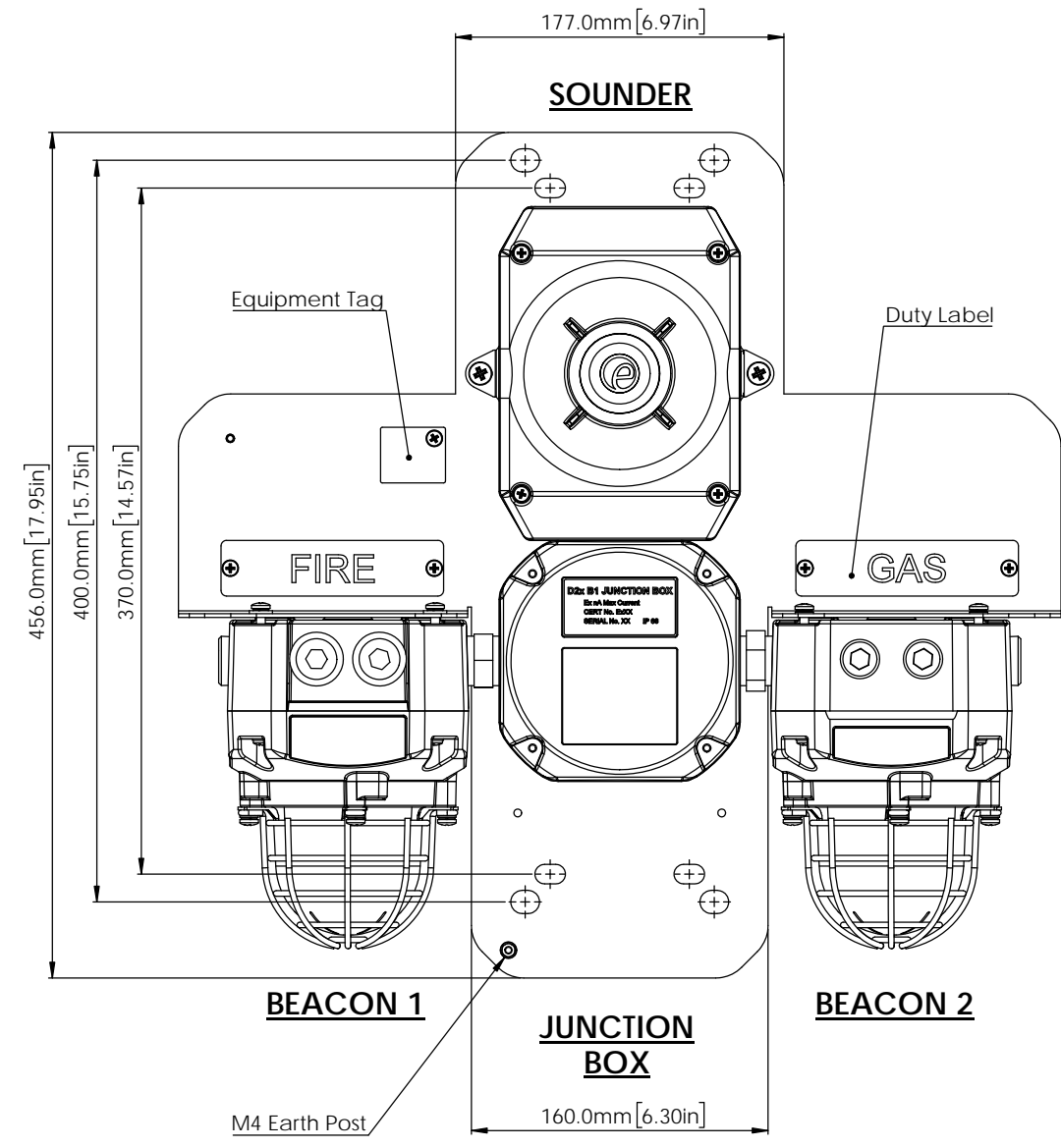
DESCRIPTION
D2xC4 ALARM BAR

DATA REFERENCE
1-35-030



- Code Options
- D2xC4 Stack Type
 - [J1] Junction Box with DIN Rail (J1) / Terminal Block (J2)
 - [XX] Beacon Type
 - S1 Sounder

Cable Entries
1/2" NPT or Adapters if selected



NOTE:
FOR TAG PLATE SEE DRAWING D254-00-111
FOR OPTIONAL DUTY LABEL, GUARD MATERIAL OPTION [3] SEE DRAWING D254-00-041

DRAWING TO BS888:2000 GEOMETRIC TOLERANCES TO ISO1101:1983 LINEAR DIMENSIONAL TOOLS ANGULAR DIMENSIONAL TOOLS	DRAWN DATE D.A.HOWGILL 19/09/19	SURFACE FINISH FINISH	WEIGHT (kg)	THIS DRAWING AND ANY INFORMATION OR DESCRIPTIVE MATTER THEREIN IS COMMUNICATED IN CONFIDENCE AND IS THE COPYRIGHT PROPERTY OF EUROPEAN SAFETY SYSTEMS LTD. NEITHER THE WHOLE OR ANY EXTRACT MAY BE DISCLOSED, LOANED, COPIED OR USED FOR MANUFACTURING OR TENDERING PURPOSES WITHOUT THEIR WRITTEN CONSENT. EUROPEAN SAFETY SYSTEMS LTD. AS PER LATEST DATE OF ISSUE SHOWN ABOVE.	 EUROPEAN SAFETY SYSTEMS LTD IMPRESS HOUSE MANSELL ROAD ACTON LONDON W3 7QH WWW.E2S.COM	ALL DIMENSIONS IN MM IF IN DOUBT, ASK - DO NOT SCALE	 A1		
	STANDARDS PRODUCT REF	CHECKED DATE R.N.POTTS 19/09/19	MATERIAL					ALTERNATIVE MATERIAL	
	APPROVED DATE R.N.POTTS 19/09/19			 EUROPEAN SAFETY SYSTEMS LTD. AS PER LATEST DATE OF ISSUE SHOWN ABOVE.	 EUROPEAN SAFETY SYSTEMS LTD. IMPRESS HOUSE MANSELL ROAD ACTON LONDON W3 7QH WWW.E2S.COM	TITLE D2xC4 ALARM BAR OUTLINE DRAWING	SCALE 1:2	SHEET 1 OF 1	DRAWING NUMBER D214-05-001