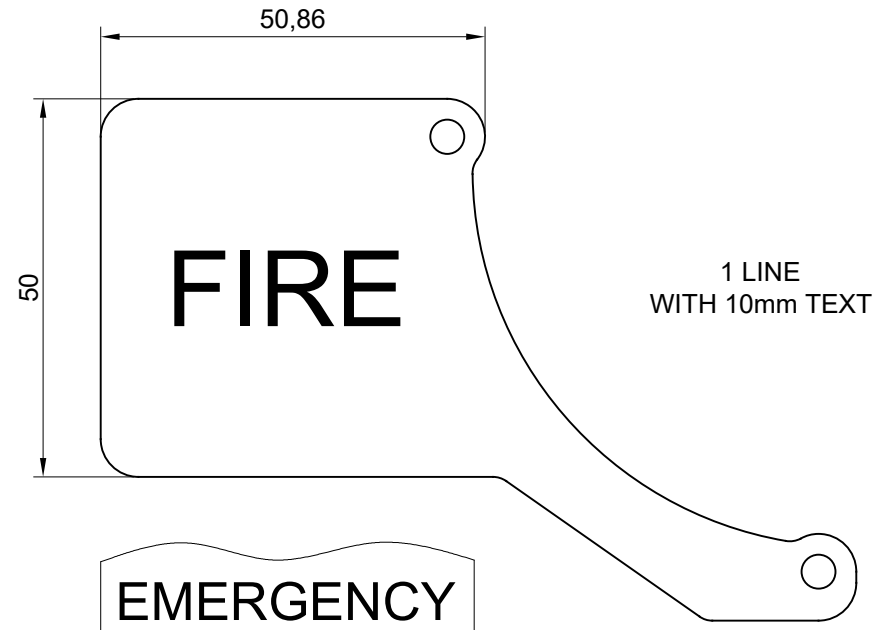
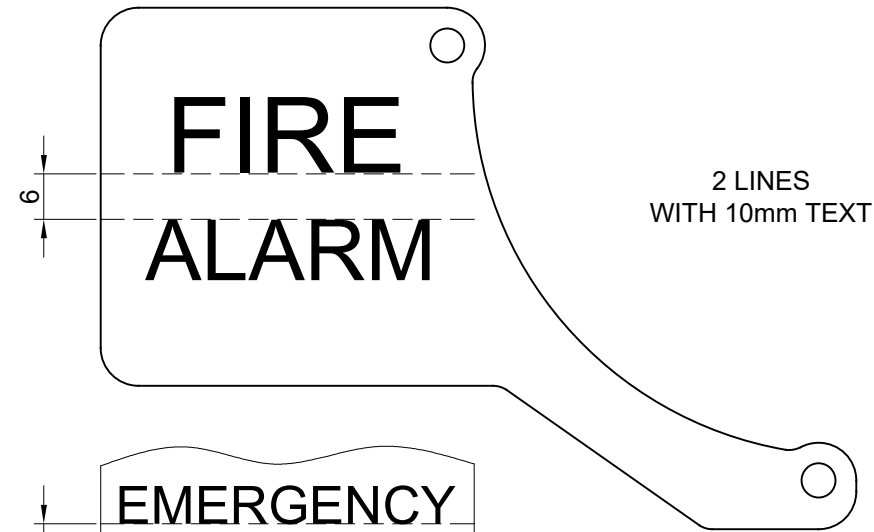


LABEL DIMENSIONS



EMERGENCY

1 LINE
WITH 5mm TEXT



EMERGENCY
ALARM

1 LINE
WITH 5mm TEXT

LABEL SPECIFICATIONS

ISSUE	MOD No.	INITIAL/DATE
1		INTRODUCTION DH 22-03-23

LINES	TEXT HEIGHT	TOTAL NO. OF CHARACTERS
ONE LINE	10	4 - 5
	8	6 - 10
	5	11 - 16
TWO LINES	10	UP TO 10
	8	UP TO 20
	5	UP TO 32

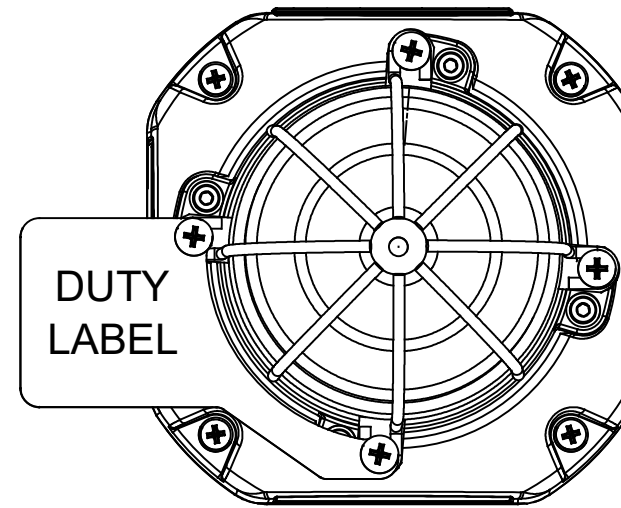
FONT: ARIAL
 METHOD OF MARKING: LASER ETCHED WITH BLACK TEXT
 PLATE MATERIAL: GRADE 316 STAINLESS STEEL
 ATTACHMENT: M5 SCREW
 POSITION: SEE DIAGRAMS BELOW

NOTE 1: CHARACTER LIMIT INCLUDES SPACES
 NOTE 2: TEXT HEIGHT WILL BE PRIORITISED FOR LABEL CONTENTS WHERE POSSIBLE

DISCLAIMER: UNLESS OTHERWISE SPECIFIED, LABEL CONTENTS WILL BE SIZED FOR BEST FIT AS DEEMED APPROPRIATE BY E2S

LABEL POSITION

D2XP1 STATUS LIGHT / D2XC3 ALARM BAR
 ATTACHED TO GUARD MOUNTING POINTS ON
 D2X BEACON



DRAWING TO BS8888:2000
 GEOMETRIC TOLERANCES TO ISO1101:1983
 LINEAR DIMENSIONAL TOLS +/-0.35mm
 ANGULAR DIMENSIONAL TOLS +/-2 deg

DRAWN DATE 22-03-23
 D.HOWGILL
 CHECKED DATE 22-03-23
 R.N.POTTS
 APPROVED DATE 22-03-23
 R.N.POTTS

SURFACE FINISH WEIGHT (Kg)
 MATERIAL SEE NOTE
 ALTERNATIVE MATERIAL

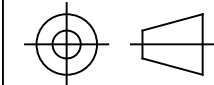
THIS DRAWING AND ANY INFORMATION OR DESCRIPTIVE MATTER
 THEREIN IS COMMUNICATED IN CONFIDENCE AND IS THE
 COPYRIGHT PROPERTY OF EUROPEAN SAFETY SYSTEMS LTD.
 NEITHER THE WHOLE OR ANY EXTRACT MAY BE DISCLOSED,
 LOANED, COPIED OR USED FOR MANUFACTURING OR TENDERING
 PURPOSES WITHOUT THEIR WRITTEN CONSENT.

© EUROPEAN SAFETY SYSTEMS LTD.
 AS PER LATEST DATE OF ISSUE SHOWN ABOVE



EUROPEAN SAFETY SYSTEMS LTD
 IMPRESS HOUSE
 MANSELL ROAD
 ACTON
 LONDON W3 7QH
 WWW.E2S.COM

ALL DIMENSIONS IN MM
 IF IN DOUBT, ASK -
 DO NOT SCALE



A3

TITLE DUTY LABEL SPECIFICATION DRAWING
 D2X STATUS LIGHT / ALARM BAR

SCALE 1:1 SHEET 1 of 1 DRAWING NUMBER D254-00-031