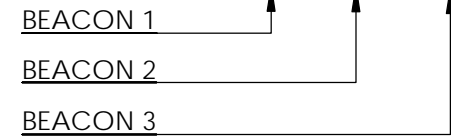
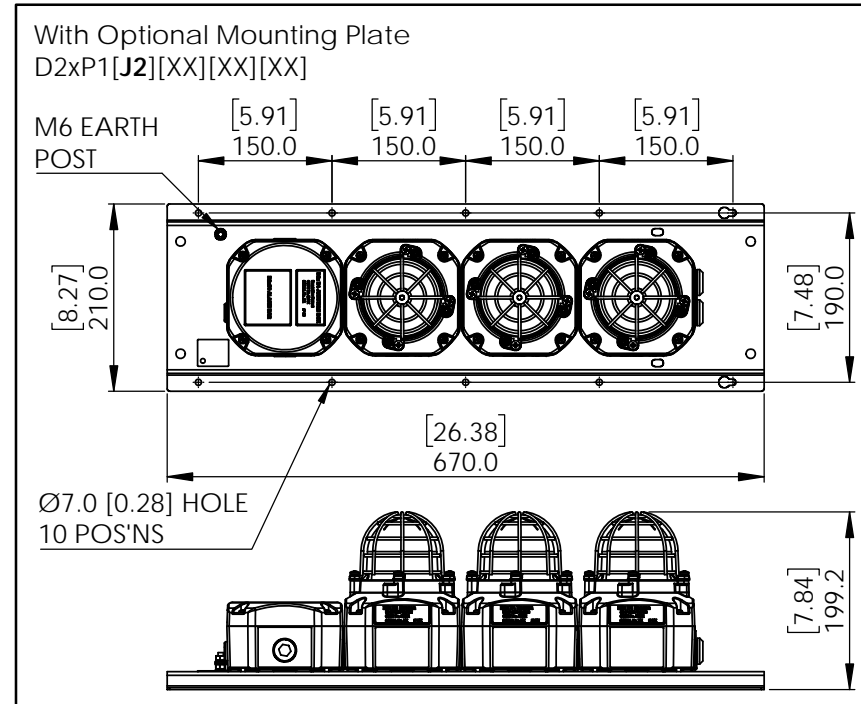


E2S PART NO
D2xP1[J1][XX][XX][XX]



Code Options

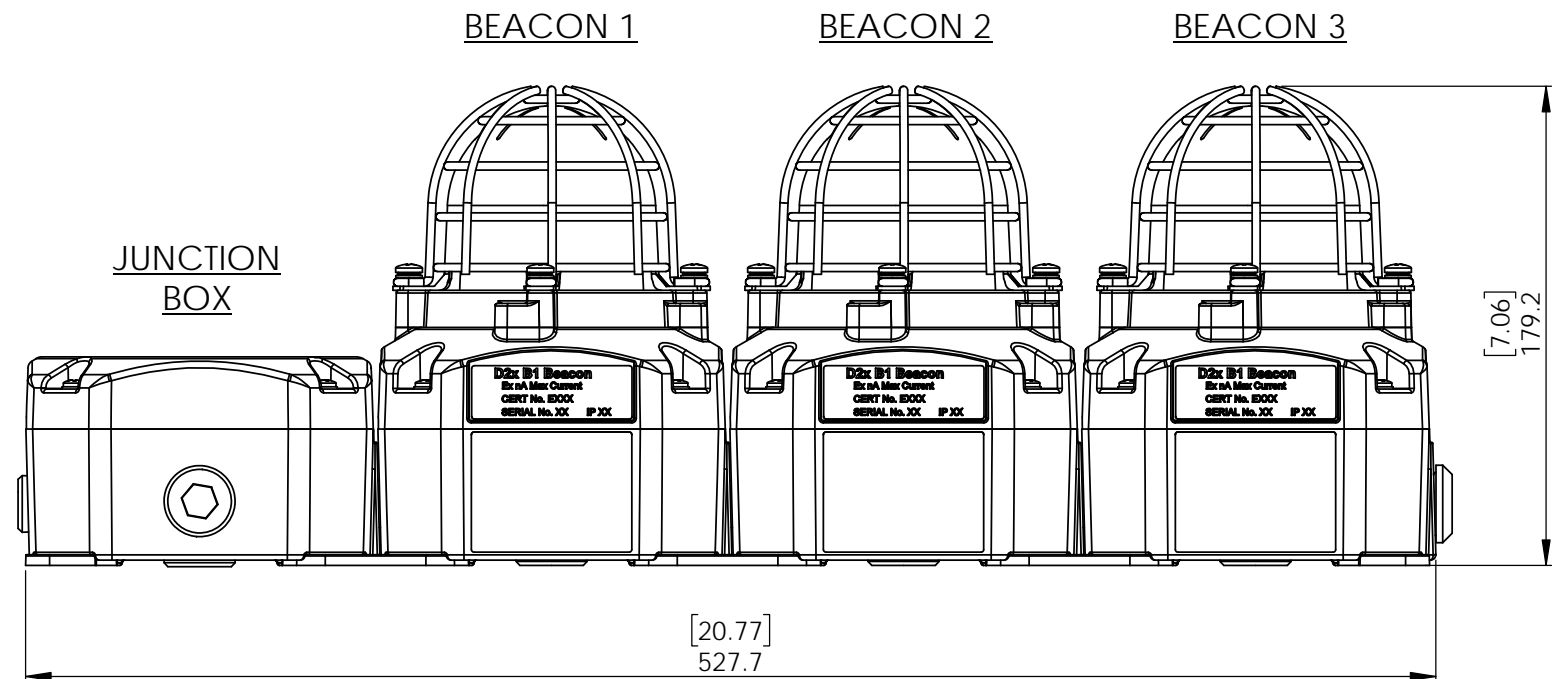
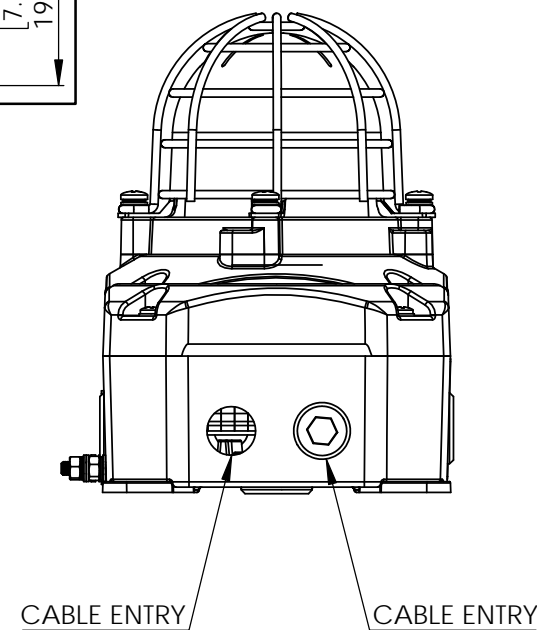
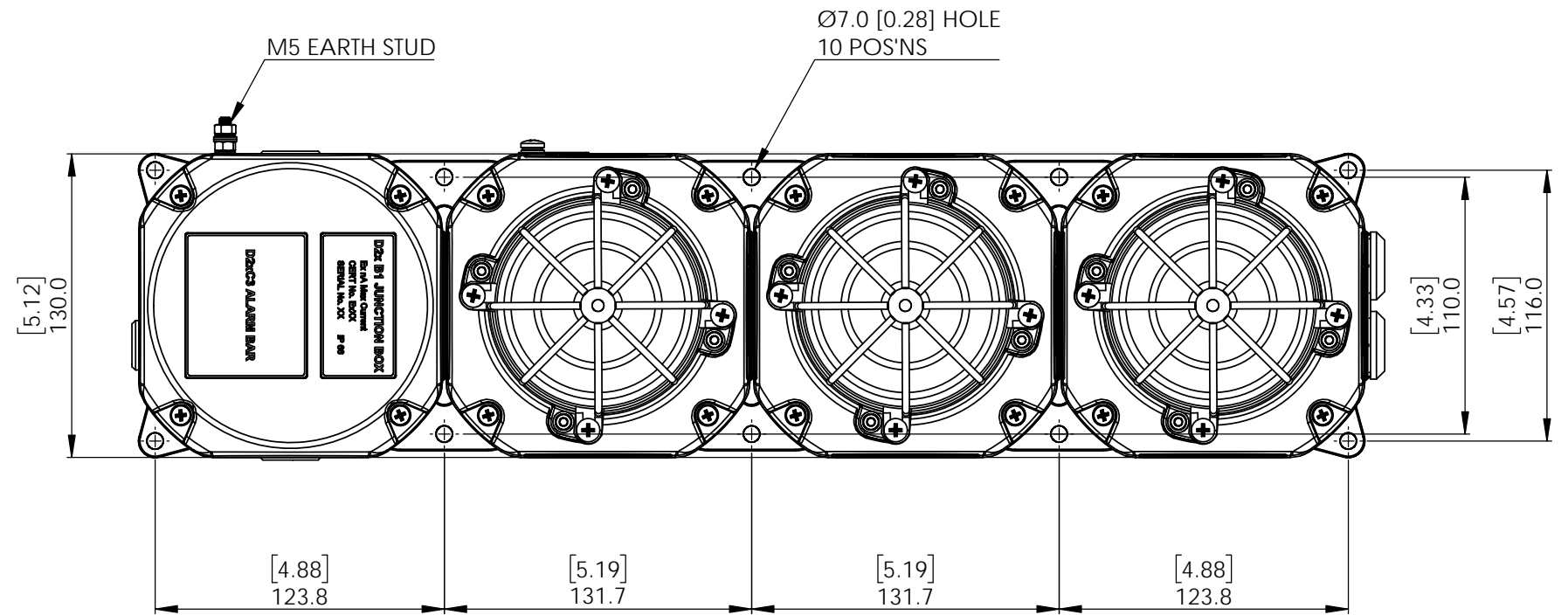
D2xP1	Stack Type
J1	With Junction Box (J1) / Without Junction Box (N1)
J2	With Plate & J'Box (J2) / Plated without J'Box (N2)
[XX]	Beacon Type



DESCRIPTION
D2xP1 STACK - 3 BEACONS
WITH JUNCTION BOX

DATA REFERENCE
1-35-010

ISSUE	MOD No.	REASON - INITIAL - DATE
1		INTRODUCTION DAH - 04/04/19
2		LABEL NOTES ADDED MM 31-07-2023



NOTE:

- FOR TAG PLATE SEE DRAWING D254-00-111
- FOR OPTIONAL DUTY LABEL, GUARD/TAG MATERIAL OPTION [3] SEE DRAWING D254-00-031
- FOR OPTIONAL DUTY LABEL, GUARD/TAG MATERIAL OPTION [5] SEE DRAWING D254-00-001

DIMENSIONS IN MM & [INCHES]

DRAWING TO BS8888:2000 GEOMETRIC TOLERANCES TO ISO1101:1983 LINEAR DIMENSIONAL TOLS ANGULAR DIMENSIONAL TOLS	DRAWN	DATE	SURFACE FINISH FINISH	WEIGHT (Kg)	THIS DRAWING AND ANY INFORMATION OR DESCRIPTIVE MATTER THEREIN IS COMMUNICATED IN CONFIDENCE AND IS THE COPYRIGHT PROPERTY OF EUROPEAN SAFETY SYSTEMS LTD. NEITHER THE WHOLE OR ANY EXTRACT MAY BE DISCLOSED, LOANED, COPIED OR USED FOR MANUFACTURING OR TENDERING PURPOSES WITHOUT THEIR WRITTEN CONSENT.	 EUROPEAN SAFETY SYSTEMS LTD IMPRESS HOUSE MANSELL ROAD ACTON LONDON W3 7QH WWW.E2S.COM	ALL DIMENSIONS IN MM IF IN DOUBT, ASK - DO NOT SCALE		 A2		
	CHECKED	DATE					MATERIAL	TITLE D2xP1 STACK - 3 BEACONS WITH JUNCTION BOX OUTLINE DRAWING			
	APPROVED	DATE						ALTERNATIVE MATERIAL		SCALE	SHEET
STANDARDS	D.HOWGILL	04/04/19			 AS PER LATEST DATE OF ISSUE SHOWN ABOVE	 EUROPEAN SAFETY SYSTEMS LTD IMPRESS HOUSE MANSELL ROAD ACTON LONDON W3 7QH WWW.E2S.COM	1:2	1 OF 1	D215-05-142		