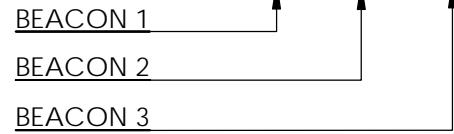


**E2S PART NO**  
**D2xC3[J1][XX][XX][XX][S1]**

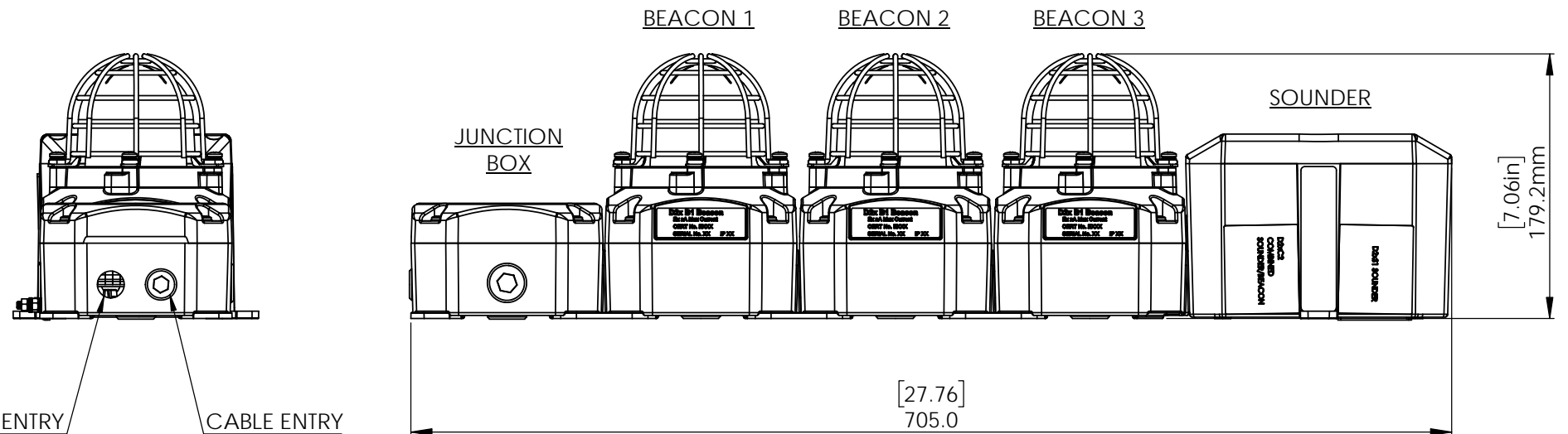
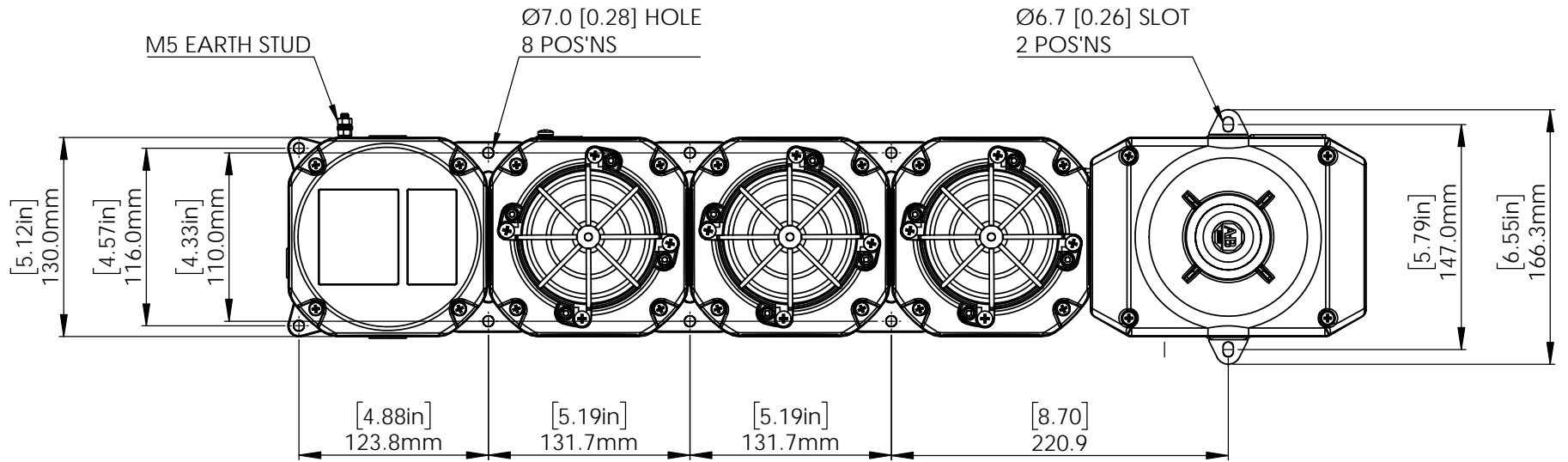
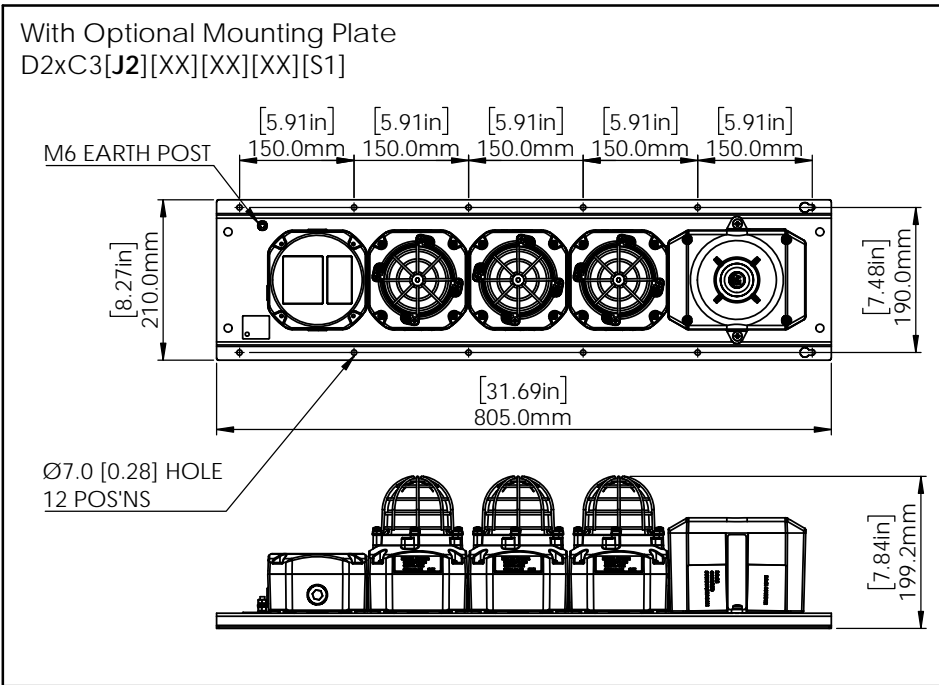


**DESCRIPTION**  
**D2xC3 STACK - 3 BEACONS & ALARM**  
**HORN WITH JUNCTION BOX**

**DATA REFERENCE**  
**1-35-020**

ISSUE	MOD No.	REASON - INITIAL - DATE
1		INTRODUCTION DAH - 04/04/19
2		LABEL NOTES ADDED MM 31-07-2023

- Code Options
- D2xC3 Stack Type
  - J1 With Junction Box (J1) / Without Junction Box (N1)
  - J2 With Plate & J'Box (J2) / Plated without J'Box (N2)
  - [XX] Beacon Type
  - [S1] D2xS1 Sounder



**NOTE:**

- FOR TAG PLATE SEE DRAWING D254-00-111
- FOR OPTIONAL DUTY LABEL, GUARD/TAG MATERIAL OPTION [3] SEE DRAWING D254-00-031
- FOR OPTIONAL DUTY LABEL, GUARD/TAG MATERIAL OPTION [5] SEE DRAWING D254-00-001

**DIMENSIONS IN MM & [INCHES]**

DRAWING TO BS8888:2000 GEOMETRIC TOLERANCES TO ISO1101:1983 LINEAR DIMENSIONAL TOLS ANGULAR DIMENSIONAL TOLS	DRAWN	DATE	SURFACE FINISH FINISH	WEIGHT (Kg)	THIS DRAWING AND ANY INFORMATION OR DESCRIPTIVE MATTER THEREIN IS COMMUNICATED IN CONFIDENCE AND IS THE COPYRIGHT PROPERTY OF EUROPEAN SAFETY SYSTEMS LTD. NEITHER THE WHOLE OR ANY EXTRACT MAY BE DISCLOSED, LOANED, COPIED OR USED FOR MANUFACTURING OR TENDERING PURPOSES WITHOUT THEIR WRITTEN CONSENT.	 EUROPEAN SAFETY SYSTEMS LTD IMPRESS HOUSE MANSELL ROAD ACTON LONDON W3 7QH WWW.E2S.COM	ALL DIMENSIONS IN MM IF IN DOUBT, ASK - DO NOT SCALE		A2
	CHECKED	DATE							
STANDARDS	APPROVED	DATE	ALTERNATIVE MATERIAL	EUROPEAN SAFETY SYSTEMS LTD. AS PER LATEST DATE OF ISSUE SHOWN ABOVE		TITLE D2xC3 STACK - 3 BEACONS & ALARM HORN WITH JUNCTION BOX OUTLINE DRAWING	SCALE	SHEET	DRAWING NUMBER
	R.N.POTTS	04/04/19					1:2	1 OF 1	D215-05-158