

B400RTH Rotating Beacon [Halogen Bulb]

The B400RTH rotating beacon features a 35/40W Halogen lamp providing 1,204 Candelas of light output. The parabolic reflecting mirror creates a focused beam of light maximising the visual effectiveness.

The UV stable, fire retardant polycarbonate enclosure and coloured lens ensure the B400RTH is robust enough for the toughest of applications. The surface mount base can also be supplied with a right angle bracket or with a pole mounted assembly.

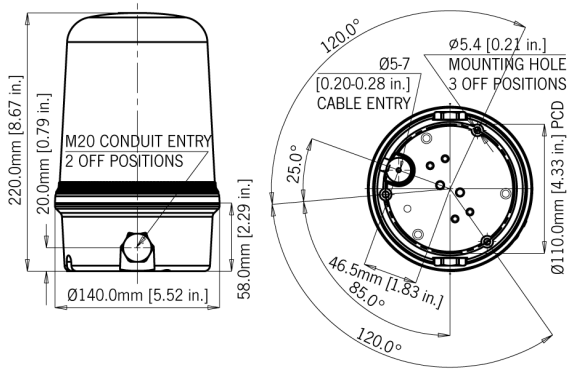
Features

- Bayonet fixing lens.
- Anti-tamper locking screw.
- Stainless steel fixings.
- Multiple cable entries.

Approvals

- GOST-R certificate: POCC GB.JB05.H00144.





Specification

Light source:	Halogen Lamp G6,35/GY6,35
Light output:	35/40W
Peak Candela:	1,204 cd
Candela:	325 cd* (effective intensity)
Rotation speed:	180RPM (+/-30RPM)
Drive life:	>5,000 hrs
Duty cycle:	100%
Lens colours:	Amber, Blue, Clear, Green, Red & Yellow
Lens type:	Plain
Mounting:	Surface mount (right angle or pole mount accessories available)
Entries:	1 x 5-7mm push through grommet 2 x M20 cable entry
Dimensions:	ø140 x 220mm
Ingress protection:	IP65
Housing material:	High impact UL94 V0 (f1) PC
Lens material:	High impact UL94 V0 (f1) PC
Terminals:	1.5 mm ² flying lead assembly
Operating temp:	-25 to +50°C [-13° to +122°F]
Storage temp:	-40 to +70°C [-40° to +158°F]
Relative humidity:	90% at 20°C [68°F]
Weight:	578g/1.27lbs

*Candela measurements representative of performance with clear lens at optimum voltage.

Part Codes

Version:	Wattage:	Part Code:
12V dc	35W	B400RTH012B/[y]
24V dc	35W	B400RTH024B/[y]
48V dc	20W x 2	B400RTH048B/[y]
115V ac	40W	B400RTH115B/[y]
230V ac	40W	B400RTH230B/[y]
[y] = Lens colour:	A	Amber
	B	Blue
	C	Clear
	G	Green
	R	Red
	Y	Yellow

Current Consumption

Version:	Current mA:
12V dc	3.0A
24V dc	1.54A
48V dc	840mA
115V ac 50/60Hz	338mA
230V ac 50/60Hz	186mA