

D112 Alarm Horn Sounder

The D112 is a high output, 119dB(A) alarm horn sounder. Corrosion proof, marine grade aluminium die cast enclosure. UL approved and CPR compliant – tested to EN54-3.

The enclosure is chromated and powder coated providing resilience in the harshest of industrial environments. Low current consumption and high SPL ensure the D112 is suitable for all general signalling applications including fire, security and process control.

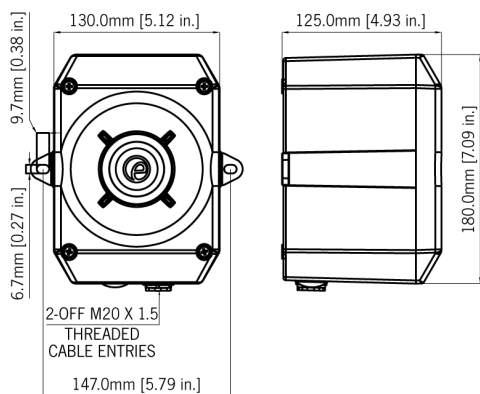
Features

- Automatic synchronisation
- Continuously rated
- Dual M20x1.5mm threaded cable entries – adaptors available
- Ingress protection IP66 Type 4/4X/13/3R
- 45 alarm tone frequencies and 3 remotely activated alarm stages
- Available with custom tone configurations and frequencies
- Diode polarized for use in supervised circuits

Approvals

- UL: UL464A
- cUL: CSA C22.2 No. 205 – M1983
- CSFM listing: 7135-2279:0511
- VdS CPR: (EN54-3) 0786-CPD-20337
- EAC CU TR 043/2017: B.00291/21
- EAC: RU D-GB.GA05.B.12595-20





Specification

Maximum output:	119dB(A) @ 1 m +/- 3dB [110dB(A) @ 10ft/3m +/- 3dB]
Nominal output:	112dB(A) @ 1m +/- 3dB [103dB(A) @ 10ft/3m] +/- 3dB
No. of tones:	45 (UKOOA / PFEER compliant)
No. of stages:	3
Volume control:	-12dB(A) tone dependent
Effective range:	125m/410ft @ 1KHz
Stage switching:	Negative (common positive)
Ingress protection:	IP66 Type 4/4X/13/3R
Enclosure:	Marine grade aluminium A1 Si12 Cu
Terminals:	0.5 - 2.5mm ² (20-14 AWG)
Line monitoring:	Diode polarized for use in supervised circuits
Operating temp:	-40 to +66°C [-40° to +151°F]
Storage temp:	-40 to +70°C [-40° to +158°F]
Relative humidity:	90% at 20°C [68°F]
Vibration test:	35Hz for a duration 4Hr (UL464A)
Jarring test:	3ft/lb Energy (UL464A)
Impact test:	3x 5lb (UL464A)
MTBF DC:	225.16 years / 1,972,386 hours - MIL 217
MTBF AC:	138.96 years / 1,217,285 hours - MIL 217
Weight DC:	1.60kg / 3.52lbs
Weight AC:	1.85kg / 4.07lbs

Part Codes

Variable:	Identifier:	Description:
Product type:	D112	Alarm horn sounder
Voltage:	DC024	24Vdc (10-30Vdc)
	DC048	48Vdc (35-60Vdc)
	AC024	24Vac 50/60Hz
	AC115	115Vac 50/60Hz
	AC230	230Vac 50/60Hz
Back box/cable entries: [e]	A	Back box with mounting lugs - 2 x M20x1.5mm entries
	B	Back box with mounting lugs - 2 x 1/2"NPT (adaptors)
Stopping plug material: [m]	A	ABS
Equipment tag: [s]	0	No equipment tag
	1	316 (A4) Stainless Steel Equipment tag
Product version: [v]	A	UL/cUL, CPR, EAC, CE, UKCA
Product option: [o]	1	Standard product
	P	Positive stage switching
	W	Custom Wiring
	X	Custom configuration - contact E2S
	Z	Custom alarm tone software - contact E2S
Enclosure: [x]	R	Red
	G	Grey
	S	Special colour - contact E2S

Current Consumption

Product Version:	Nominal Voltage:	Voltage Range:	Horn Current:
DC024	24Vdc	20-28Vdc	200mA
DC048	48Vdc	42-54Vdc	120mA
AC024	24Vac	24-28Vac 50/60Hz	500mA
AC115	115Vac	±10% 50/60Hz	100mA
AC230	230Vac	±10% 50/60Hz	60mA

Tone table

S 1	Description	S 2	S 3	S 1	Description	S 2	S 3
T 1	340 Hz Continuous	T 2	T 5	T 33	745Hz @ 1Hz Intermittent	T 2	T 5
T 2	800/1000Hz @ 0.25 sec Alternating	T 17	T 5	T 34	1000 & 2000Hz @ 0.5 sec Alternating - Singapore	T 38	T 45
T 3	500/1200Hz @ 0.3Hz 0.5 sec Slow Whoop	T 2	T 5	T 35	420Hz @ 0.625 sec Australian Alert	T 36	T 5
T 4	800/1000Hz @ 1Hz Sweeping	T 6	T 5	T 36	500-1200Hz 3.75sec /0.25sec. Australian Evac.	T 35	T 5
T 5	2400Hz Continuous	T 3	T 20	T 37	1000Hz Continuous - PFEER Toxic Gas	T 9	T 45
T 6	2400/2900Hz @ 7Hz Sweeping	T 7	T 5	T 38	2000Hz Continuous	T 34	T 45
T 7	2400/2900Hz @ 1Hz Sweeping	T 10	T 5	T 39	800Hz 0.25sec on, 1 sec off Intermittent	T 23	T 17
T 8	500/1200/500Hz @ 0.3Hz Sweeping	T 2	T 5	T 40	544Hz (100mS)/440Hz (400mS) - NF S 32-001	T 31	T 27
T 9	1200/500Hz @ 1Hz - DIN / PFEER P.T.A.P.	T 15	T 2	T 41	Motor Siren - slow rise to 1200 Hz	T 2	T 5
T 10	2400/2900Hz @ 2Hz Alternating	T 7	T 5	T 42	Motor Siren - slow rise to 800 Hz	T 2	T 5
T 11	1000Hz @ 1Hz Intermittent	T 2	T 5	T 43	1200 Hz Continuous	T 2	T 5
T 12	800/1000Hz @ 0.875Hz Alternating	T 4	T 5	T 44	Motor Siren - slow rise to 2400 Hz	T 2	T 5
T 13	2400Hz @ 1Hz Intermittent	T 15	T 5	T 45	1KHz 1s on, 1s off Intermittent - PFEER Gen. ...	T 38	T 34
T 14	800Hz 0.25sec on, 1 sec off Intermittent	T 4	T 5				
T 15	800Hz Continuous	T 2	T 5				
T 16	660Hz 150mS on, 150mS off Intermittent	T 18	T 5				
T 17	544Hz (100mS)/440Hz (400mS) - NF S 32-001	T 2	T 27				
T 18	660Hz 1.8sec on, 1.8sec off Intermittent	T 2	T 5				
T 19	1.4KHz-1.6KHz 1s, 1.6KHz-1.4KHz 0.5s -NFC48-265	T 2	T 5				
T 20	660Hz Continuous	T 2	T 5				
T 21	554Hz/440Hz @ 1Hz Alternating	T 2	T 5				
T 22	544Hz @ 0.875 sec. Intermittent	T 2	T 5				
T 23	800Hz @ 2Hz Intermittent	T 6	T 5				
T 24	800/1000Hz @ 50Hz Sweeping	T 29	T 5				
T 25	2400/2900Hz @ 50Hz Sweeping	T 29	T 5				
T 26	Bell	T 2	T 15				
T 27	554Hz Continuous	T 26	T 5				
T 28	440Hz Continuous	T 2	T 5				
T 29	800/1000Hz @ 7Hz Sweeping	T 7	T 5				
T 30	300Hz Continuous	T 2	T 5				
T 31	660/1200Hz @ 1Hz Sweeping	T 26	T 5				
T 32	Two T chime.	T 26	T 15				