

# H100T Signalling Horn with Trumpet

The H100T is a very high output electronic signal horn capable of generating a traditional 'buzzer' warning tone traditionally associated with electro-mechanical signals.

Rated for continuous use the H100 series is a compact, high output signal suitable for a variety of installations.

In addition to the 'buzzer' type sound the unit features a further two alarm sounds.

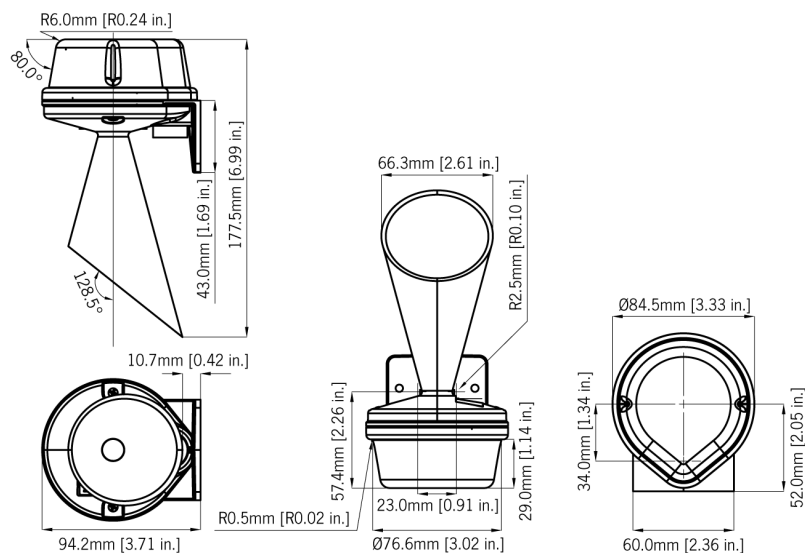
## Features

- Volume control
- Stainless steel fixings.

## Approvals

- GOST-R approved. Cert: POCC GB.JB05.H00144.





## Specification

|                     |  |
|---------------------|--|
| No. of tones:       | 3  |
| Output:             | 100 dB(A) @ 1m [91dB(A) @ 10ft/3m]       |
| Mounting:           | Surface mount                            |
| Entries:            | 1 × 5-7mm push through grommet           |
| Dimensions:         | 177.5 × 94.2mm                           |
| Ingress protection: | IP65                                     |
| Housing material:   | High impact ABS (UL94V0 & 5VA)           |
| Terminals:          | 0.5 to 1.5mm <sup>2</sup>                |
| Operating temp:     | -25 to +50°C [-13° to +122°F]            |
| Storage temp:       | -40 to +70°C [-40° to +158°F]            |
| Relative humidity:  | 90% at 20°C [ 68°F]                      |
| MTBF DC:            | 296.89 years / 2,600,780 hours - MIL 217 |
| MTBF AC:            | 200.10 years / 1,752,848 hours - MIL 217 |
| Weight:             | 148g/0.32lbs                             |

\*SPL data +/-3dB(A). Measured at optimum voltage.

## Part Codes

| Version:      | Part code: |
|---------------|------------|
| 12-30V ac/dc  | H100T030G  |
| 40-260V ac/dc | H100T230G  |

## Current Consumption

| Version:      | Voltage:        | Current: |
|---------------|-----------------|----------|
| 12-30V dc/ac  | 12V dc          | 10mA     |
| 12-30V dc/ac  | 24V dc          | 24mA     |
| 40-260V dc/ac | 48V dc          | 15mA     |
| 12-30V dc/ac  | 12V ac 50/60Hz  | 30mA     |
| 12-30V dc/ac  | 24V ac 50Hz     | 62mA     |
| 40-260V dc/ac | 48V ac 50/60Hz  | 25mA     |
| 40-260V dc/ac | 115V dc         | 6mA      |
| 40-260V dc/ac | 230V dc         | 3mA      |
| 40-260V dc/ac | 115V ac 50/60Hz | 19mA     |
| 40-260V dc/ac | 230V ac 50/60Hz | 10mA     |

## Tone table

### S 1 Description

|     |   |
|-----|---|
| T 1 | 800/1000Hz @ 7Hz Sweeping               |
| T 2 | Simulated buzzer sound                  |
| T 3 | 1200/500Hz @ 1Hz - DIN / PFEER P.T.A.P. |