

AL105NSONTEL Telephone Alarm & Xenon Strobe

The AL105NSONTEL is a compact, high output, 105dB(A) telephone initiated alarm sounder and 5 Joule Xenon beacon.

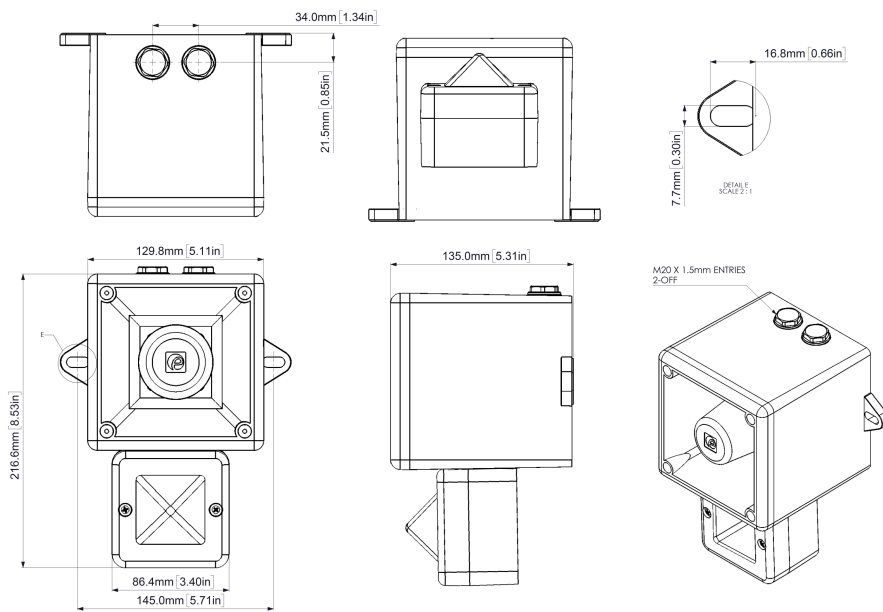
Features

- Continuously rated
- Stainless steel fixings
- Unit can be mounted using external lugs or internal fixing positions
- Dual M20x1.5mm threaded cable entries

Approvals

- CE
- UKCA
- EAC: CU TR 04/2011 CU TR 20/2011
- Russian Maritime Register of Shipping





Specification

Sounder:	
Nominal output:	105dB(A) @ 1m +/- 3dB [96dB(A) @ 10ft/3m]
No. of tones:	3
Tone 1	Siren Tone
Tone 2	Alternating tone
Tone 3	Sweeping tone
Volume control:	Max. 105dB(A); Min. 90dB(A)
Effect. range:	60m/197ft @ 1KHz
Beacon:	
Energy:	5 Joules (5Ws)
Flash rate:	1Hz (60 fpm)
Peak Candela:	500,000 cd - calculated from energy (J)
Effect. Intensity cd:	250 cd - calculated from energy (J)
Peak Candela:	78,801 cd* - measured ref. to I.E.S.
Effect. Intensity cd:	196 cd* - measured ref. to I.E.S.
Lens colours:	Amber, Blue, Clear, Green, Opal, Red & Yellow
Tube life:	Emissions are reduced to 70% after 5 million flashes
General:	
Sounder Supply:	Direct power from telephone line (REN 1)
Beacon Supply:	230V ac (telephone initiated)
Ingress protection:	IP66
Enclosure matl:	High impact UL94 V0 & 5VA FR ABS
Colour:	Red (RAL3000), grey (RAL7038) & white.
Cable entries:	2 x M20 clearance gland knockouts in side & back
Terminals:	0.5 to 2.5mm ² cables.
Operating temp:	-40 to +66°C [-40° to +151°F]
Storage temp:	-40 to +70°C [-40° to +158°F]
Relative humidity:	95% at 20° [68°F]
Weight:	0.95kg/2.09lbs
Candela measurements representative of performance with clear lens at optimum voltage.	
SPL data +/-3dB(A). Measured at optimum voltage	

Part Codes

Variable:	Identifier:	Description:
Product type:	AL105NSONTEL	Telephone Initiated Alarm Horn Sounder & Xenon Strobe
Voltage:	230	230Vac 50/60Hz
Back box/cable entries: [e]	A	Back box with mounting lugs - 2 x M20x1.5mm entries
Stopping plug material: [m]	A	ABS
Equip. tag/Duty label: [s]	0	No equip. tag or Duty label
	1	316 (A4) St/St Equip. tag/Duty label
	2	Metalised Polyester Equip. tag/Duty label
Product version: [v]	A	RMRS, EAC, CE, UKCA
Product option: [o]	1	Standard product
	X	Custom configuration - contact E2S
	T	Conformal coated - tropicalised
Enclosure: [x]	R	Red (RAL 3000)
	G	Grey (RAL7038)
Lens colour: [y]	A	Amber
	B	Blue
	C	Clear
	G	Green
	M	Magenta
	R	Red
	Y	Yellow