

MCBLD2LD2 Dual LED Beacon & Status Light

The MCBLD2LD2 is a dual LED beacon and status light featuring a robust, fire retardant, IP66 & IP67 Type 4/4X/13 enclosure. The two light sources can be connected to operate from the same power source or individually.

The 'M' series of products have been designed to withstand the harshest of environments. Constructed from lightweight, impact and fire resistant ABS, the range features stainless steel, ratchet adjustable mounting brackets and has been third party tested to IP66/67.

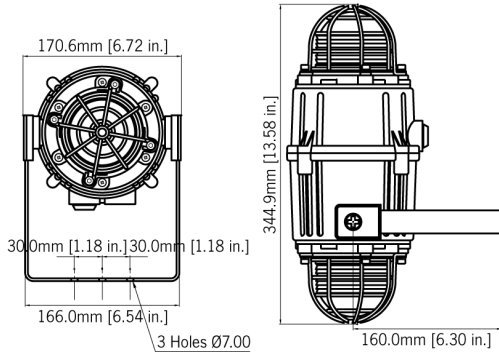
Features

- Ingress protection IP66/67 Type 4/4X/13
- Glass lenses & 316 (A4) Stainless steel guard
- UV stable PC, field replaceable, colour lens filter
- Large termination area
- Dual M20 or 1/2"NPT cable entries – adaptors available
- Stopping plug included
- 316 (A4) Stainless steel mounting bracket
- Ratchet adjustable 'U' bracket for 360° positioning
- Duplicate cable terminations
- Reverse polarity diode fitted
- Continuously rated
- Automatic synchronisation on multi-beacon systems
- Dual arrays of 4 x high power Cree® LED's
- Modes:
 - 1Hz flash (60 fpm)
 - 1.5Hz flash (90 fpm)
 - 2Hz flash (120 fpm)
 - Double strike flash
 - Triple strike flash
 - High Power Steady
 - Low Power Steady
- LED eff. Intensity: 87 cd x 2 – High Power Steady
- LED eff. Intensity: 160 cd x 2 – 1Hz flash

Approvals

- EAC compliant: RU D-GB.GA05.B.12595-20
- Russian Maritime Register of Shipping
Cert: No. 19.00193.278





Specification

Source:	Dual array of 4 x High Power Cree® LED's
Modes:	1Hz flash (60 fpm) 1.5Hz flash (90 fpm) 2Hz flash (120 fpm) Double strike flash Triple strike flash High Power Steady Low Power Steady
Eff. Intensity cd:	2 × 87 cd* - High Power Steady
Eff. Intensity cd:	2 × 160 cd* - 1Hz flash
LED life:	60,000 hours
Lens colours:	Amber, Blue, Clear, Green, Magenta, Red & Yellow
Voltages DC:	24vdc
Voltages AC:	115vac; 230vac
Ingress protection:	IP66/67 Type 4/4X/13
Enclosure material:	High impact UL94 V0 & 5VA FR ABS
Enclosure colour:	Grey (RAL7038) or Red (RAL3000)
Dome material:	Borosilicate glass
Lens colour filter:	Field replaceable UV stable PC
Lens guard:	316 (A4) Stainless steel
Cable entries:	2 x M20; 1 x M20 & 1 × 1/2"NPT; 2 × 1/2"NPT supplied with blanking plug
Terminals:	0.5 - 2.5mm ² (20-14 AWG)
Line monitoring:	Diode polarized for use in supervised circuits
Operating temp:	-40 to +66°C [-40° to +151°F]
Storage temp:	-40 to +70°C [-40° to +158°F]
Relative humidity:	95% at 20°C [68°F]
Weight:	4.84kg/10.67lbs
*Candela measurements representative of performance with clear lens at optimum voltage	

Part Codes

Variable:	Identifier:	Description:
Product type:	MCBLD2LD2	Dual LED Beacon
Voltage:	AC115 AC230 DC024	115V ac 50/60Hz 230V ac 50/60Hz 24V dc (18-54Vdc)
Cable entries: [e]	A B C	M20x1.5 & ½" NPT M20x1.5 & M20x1.5 (Default) ½" NPT & ½" NPT
Stopping plug material: [m]	N	Nylon
Bracket & Guard: [s]	1 3	316 (A4) Stainless Steel 316 (A4) Stainless Steel with Equipment tag
Version: [v]	A1	CE, EAC & Russian Maritime
Enclosure: [x]	G R	Grey (RAL7038) Red (RAL3000)
Lens colour 1: [y]	A, B, C G, M, R, Y	Amber, Blue, Clear Green, Magenta, Red, Yellow
Lens colour 2: [y]	A, B, C G, M, R, Y	Amber, Blue, Clear Green, Magenta, Red, Yellow
Accessories:	SP65-0001-A4 SP65-0003-A4	Pole Mount Bracket Kit 2" St/St 316 (A4) Sunshade - St/St 316 (A4)

Current Consumption

Product Version:	Nominal Voltage:	Voltage Range:	LED Steady High Power Current:	LED Steady Low Power Current:	LED Flashing 1Hz Current:
DC024	24V dc	20-28V dc	240mA	134mA	110mA
AC115	115Vac	±10% 50/60Hz	95mA	78mA	90mA
AC230	230V ac	±10% 50/60Hz	48mA	37mA	45mA

Current consumption listed per beacon