

SONF1 Alarm Horn Sounder

The SONF1 is a compact, high output, 103dB(A) alarm sounder. Low current consumption and high SPL in a robust fire retardant housing ensure it is suitable for general signalling applications including fire, security and process control.

Sonora range offers compact audio visual signaling for fire, industrial, process control and machine safety applications. The range features low current consumption combined with high performance. The SONF1 is available with two levels of sound level output and is CPR compliant, tested to EN54-3 for fire alarm use.

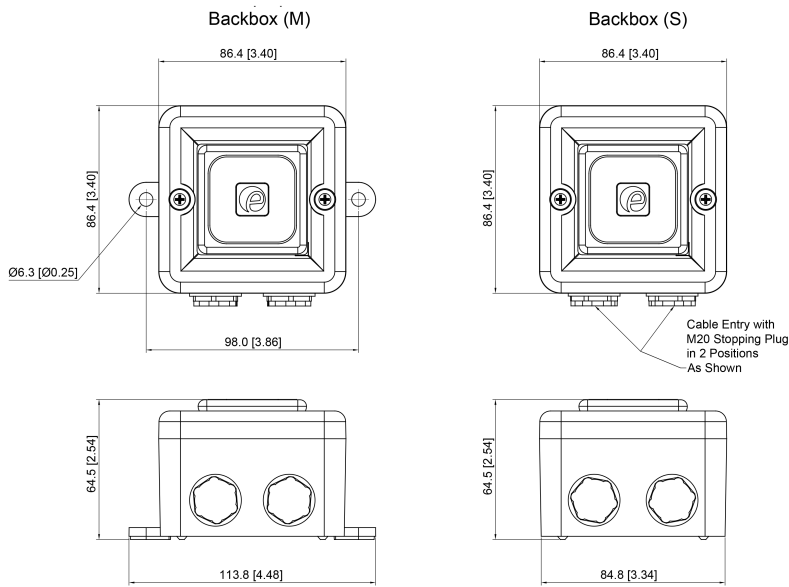
Features

- Automatic synchronisation
- Continuously rated
- Back box options with and without mounting lugs
- Dual M20, 1/2"NPT clearance cable entries option
- Duplicate cable terminations
- Ingress protection IP66 Type 3R/13
- 10 alarm tone frequencies with second remotely activated alarm stage
- Available with custom tone configurations and frequencies
- Diode polarized for use in supervised circuits

Approvals

- UL: UL464A
- cUL: CSA C22.2 No. 205 - M1983
- VdS CPR: (EN54-3) 0786-CPD-20191
- MED 2020/1170: MEDB00001EH
- CSFM listing: 7135-2279:0511
- EAC CU TR 043/2017: B.00291/21
- EAC: RU D-GB.GA05.B.12595-20
- RMRS Marine: No. 19.00193.278
- CE, UKCA





Specification

Maximum output:	103dB(A) @ 1 m ±3dB [94dB(A) @ 10ft/3m ±3dB]
Nominal output:	101dB(A) @ 1m ±3dB [92dB(A) @ 10ft/3m ±3dB]
No. of tones:	10 (UK00A / PFEER compliant)
No. of stages:	2 (AC voltage variants 1 stage)
Volume control:	-12dB(A) tone dependent
Effective range:	38m/124ft @ 1KHz
Voltages DC:	24V dc (10-30V dc) MED version: 20-30V dc
Voltages AC:	24V ac; 115V ac; 230V ac
Stage switching:	Negative (common positive)
Ingress protection:	IP66 Type 3R/13
Enclosure material:	High impact UL94 V0 & 5VA FR ABS
Enclosure colour:	Red (RAL3000), Grey (RAL7038) & White
Cable entries:	2 x M20, 1/2"NPT clearance cable entries with blanking plugs
Terminals:	0.5 - 1.5mm ² (22-16 AWG)
Line monitoring:	Diode polarized for use in supervised circuits
Operating:	-40 to +55°C [-40° to +131°F]
Storage:	-40 to +70°C [-40° to +158°F]
Relative humidity:	90% at 20°C [68°F] 95% with additional tropicalisation
Vibration test:	35Hz for a duration 4Hr (UL464A)
Jarring test:	3ft/lb Energy (UL464A)
Impact test:	3x 5lb (UL464A)
MTBF DC:	306 years / 2,684,563 hours - MIL 217
MTBF AC:	329 years / 2,886,002 hours - MIL 217
Weight:	0.30kg / 0.66lbs

Part Codes

Variable:	Identifier:	Description:
Product type:	SONF1	Alarm horn sounder
Voltage:	DC024	24Vdc (10-30Vdc)
	AC024	24Vac 50/60Hz
	AC115	115Vac 50/60Hz
	AC230	230Vac 50/60Hz
Back box/cable entries: [e]	M	Back box with mounting lugs - 2 x M20/1/2"NPT clearance
	S	Back box without mounting lugs - 2 x M20, 1/2"NPT clearance
Stopping plug material: [m]	A	ABS
Equip. tag/Duty label: [s]	0	No equip. tag or Duty label
	1	316 (A4) St/St Equip. tag/Duty label
	2	Metalised Polyester Equip. tag/Duty label
Product version: [v]	A	UL/cUL, CPR, RMRS, EAC, CE, UKCA
	M	MED, CPR, RMRS, EAC, CE, UKCA
Product option: [o]	1	Standard product
	X	Custom configuration - contact E2S
	Z	Custom alarm tone software - contact E2S
Enclosure: [x]	R	Red (RAL 3000)
	G	Grey (RAL7038)
	W	White

Current Consumption

Product Version:	Nominal Voltage:	Voltage Range:	Current Consumption:
DC024	24Vdc	10-30Vdc	25mA
AC024	24Vac	±10% 50/60Hz	40mA
AC115	115Vac	±10% 50/60Hz	27mA
AC230	230Vac	±10% 50/60Hz	39mA

Tone table

S 1 Description

S 1	Description	S 2
T 1	800/1000Hz @ 0.25 sec Alternating	T 8
T 2	500/1200Hz @ 0.3Hz 0.5 sec Slow Whoop	T 1
T 3	1200/500Hz @ 1Hz - DIN / PFEER P.T.A.P.	T 8
T 4	544Hz (100mS)/440Hz (400mS) - NF S 32-001	T 9
T 5	Bell	T 1
T 6	800/1000Hz @ 7Hz Sweeping	T 8
T 7	500-1200Hz 3.75sec /0.25sec. Australian Evac.	T 10
T 8	1000Hz Continuous - PFEER Toxic Gas	
T 9	Continuous 554Hz	
T 10	420Hz @ 0.625 sec Australian Alert	

S1 Frequency Description (AC version)

T 1	800/1000Hz @ 0.25 sec Alternating
T 2	500/1200Hz @ 0.3Hz 0.5 sec Slow Whoop
T 3	1200/500Hz @ 1Hz - DIN / PFEER P.T.A.P.
T 4	544Hz (100mS)/440Hz (400mS) - NF S 32-001
T 5	1000Hz Continuous - PFEER Toxic Gas
T 6	Bell
T 7	800/1000Hz @ 7Hz Sweeping
T 8	2400/2900Hz @ 50Hz Sweeping
T 9	420Hz @ 0.625 sec Australian Alert
T 10	500-1200Hz 3.75sec /0.25sec. Australian Evac.