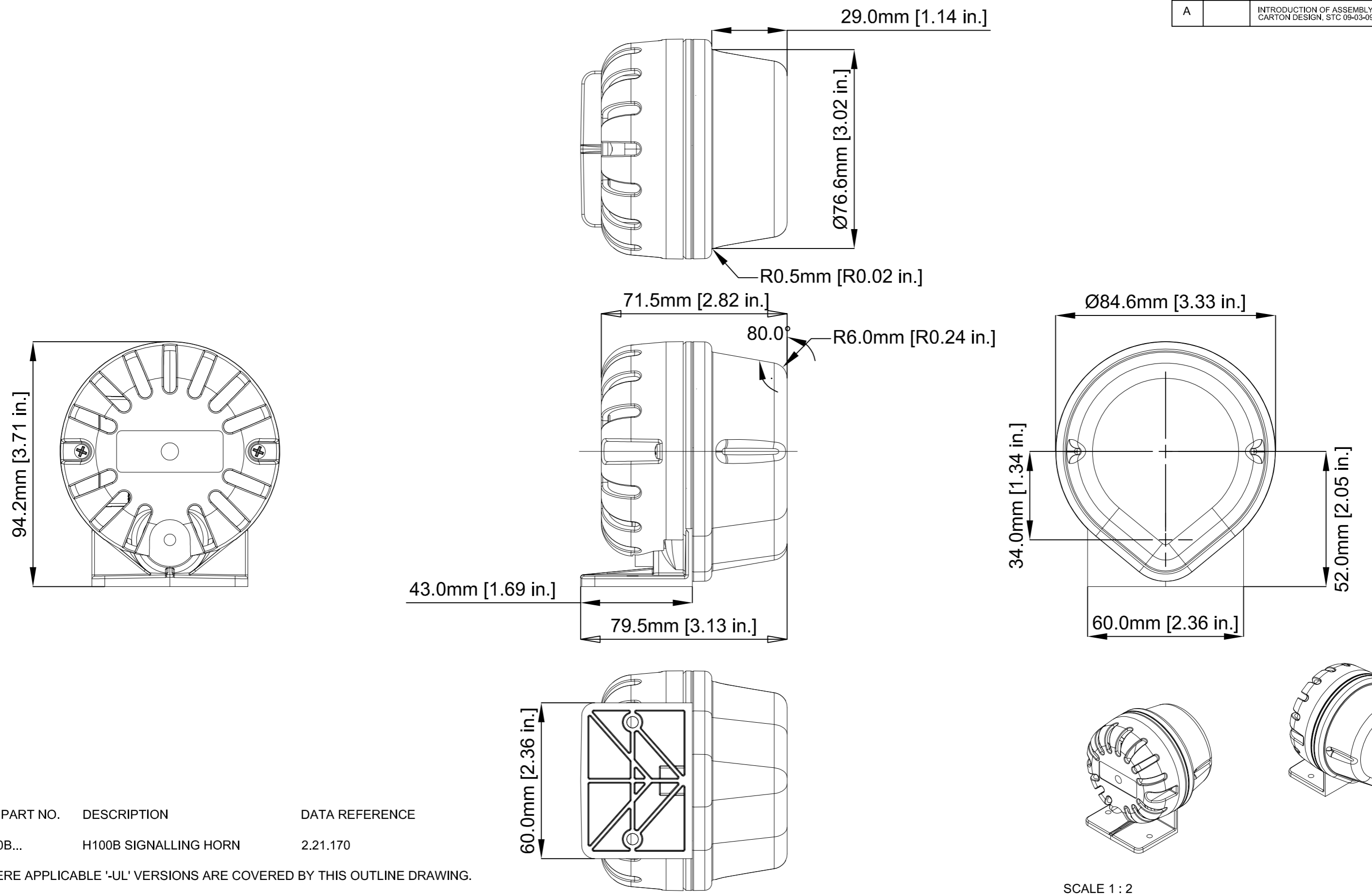


ISSUE	MOD No.	REASON - INITIAL - DATE
A		INTRODUCTION OF ASSEMBLY OUTLINE FOR CARTON DESIGN, STC 09-03-09



E2S PART NO. DESCRIPTION DATA REFERENCE

H100B... H100B SIGNALLING HORN 2.21.170

WHERE APPLICABLE '-UL' VERSIONS ARE COVERED BY THIS OUTLINE DRAWING.

SCALE 1 : 2

DRAWING TO BS8888:2000 GEOMETRIC TOLERANCES TO ISO1101:1983 LINEAR DIMENSIONAL TOLS ANGULAR DIMENSIONAL TOLS	DRAWN	DATE	SURFACE FINISH FINISH	WEIGHT (Kg)	THIS DRAWING AND ANY INFORMATION OR DESCRIPTIVE MATTER THEREIN IS COMMUNICATED IN CONFIDENCE AND IS THE COPYRIGHT PROPERTY OF EUROPEAN SAFETY SYSTEMS LTD. NEITHER THE WHOLE OR ANY EXTRACT MAY BE DISCLOSED, LOANED, COPIED OR USED FOR MANUFACTURING OR TENDERING PURPOSES WITHOUT THEIR WRITTEN CONSENT.	 EUROPEAN SAFETY SYSTEMS LTD IMPRESS HOUSE MANSELL ROAD ACTON LONDON W3 7QH WWW.E2S.COM	ALL DIMENSIONS IN MM IF IN DOUBT, ASK - DO NOT SCALE		A2
	CHECKED	DATE							
STANDARDS PRODUCT SPECTRA REF	R.N.POTTS	09:03:09	ALTERNATIVE MATERIAL		EUROPEAN SAFETY SYSTEMS LTD, AS PER LATEST DATE OF ISSUE SHOWN ABOVE	TITLE OUTLINE DRAWING H100 BUZZER	SCALE	SHEET	DRAWING NUMBER
	R.N.POTTS	09:03:09							
	APPROVED	DATE							
	R.N.POTTS	09:03:09							