

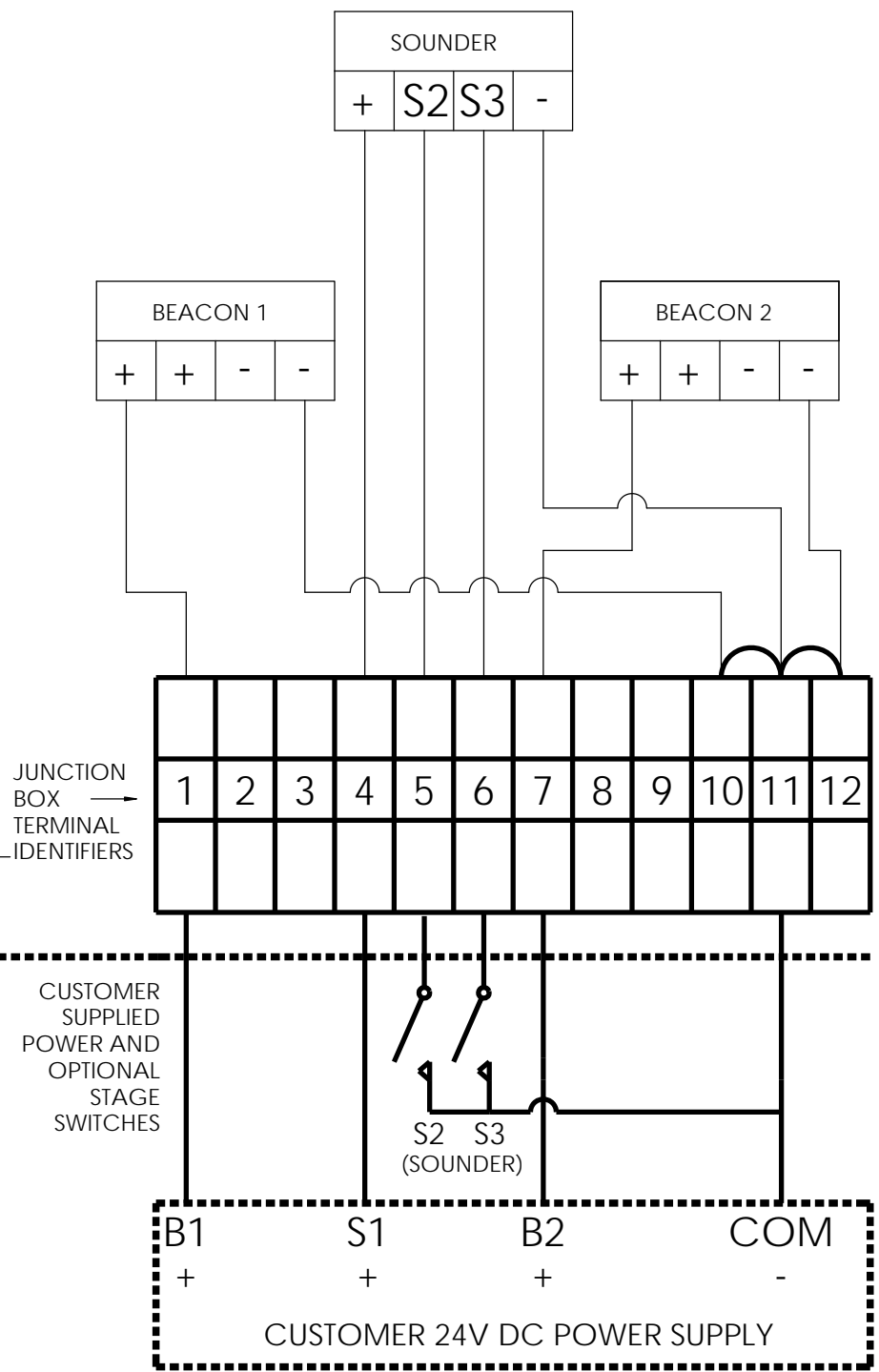
E2S PART NO.
D2xC4[J1][XX][XX]S1

DESCRIPTION
D2xC4 ALARM BAR

DATA REFERENCE
1-35-030

ISSUE	MOD No.	REASON - INITIAL - DATE
1		Introduction DAH 19/09/2019

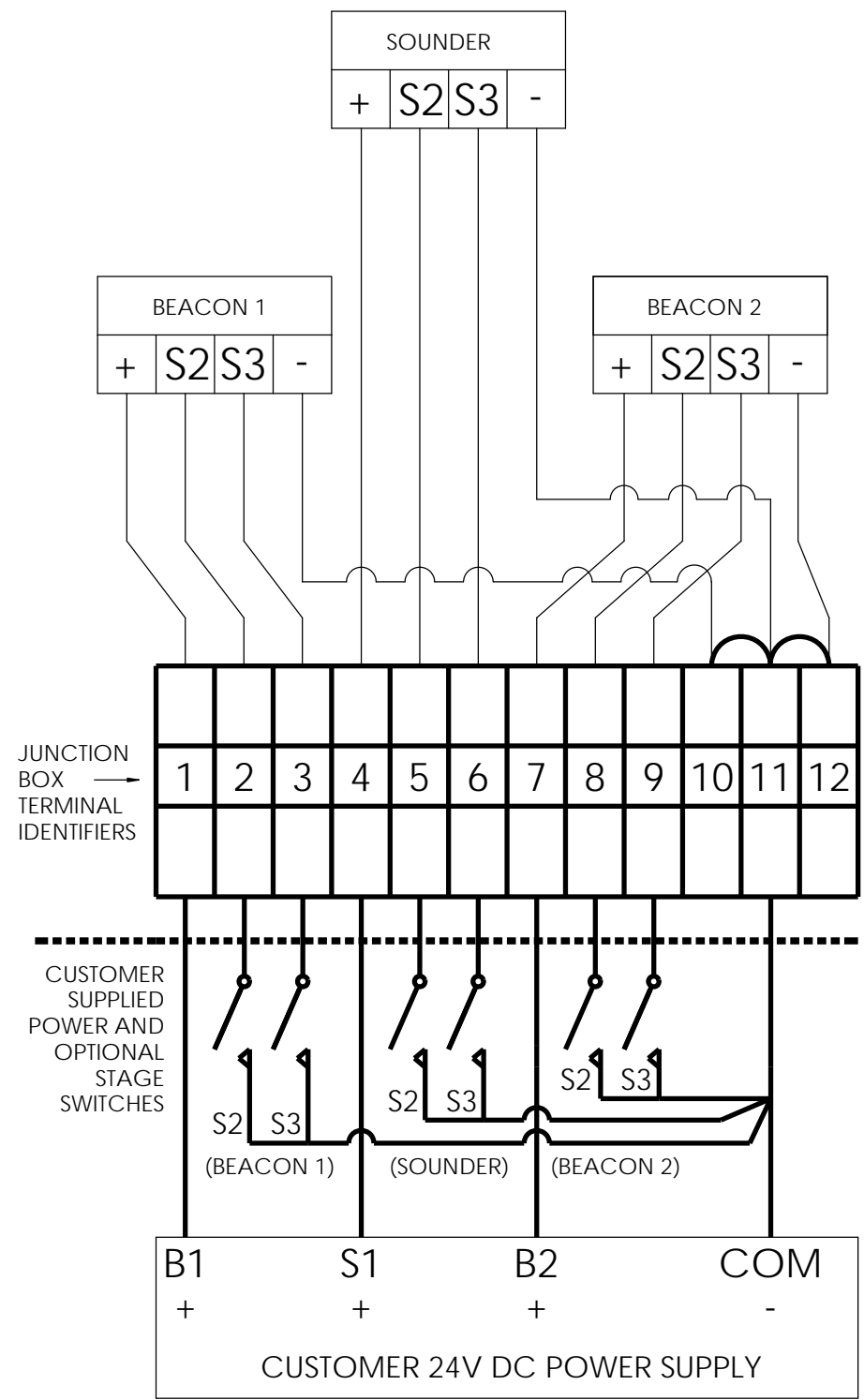
ALARM BAR WITH DC XENON BEACONS



Legend			
Abbreviation	Description	Terminal	
B1 +	BEACON 1 POSITIVE	1	
S1 +	SOUNDER POSITIVE	4	
Optional	S2	SOUNDER STAGE 2 SWITCH	5
	S3	SOUNDER STAGE 3 SWITCH	6
B2 +	BEACON 2 POSITIVE	7	
COM -	COMMON NEGATIVE	10, 11 OR 12	

Note:
All switches shown
to be supplied by
customer

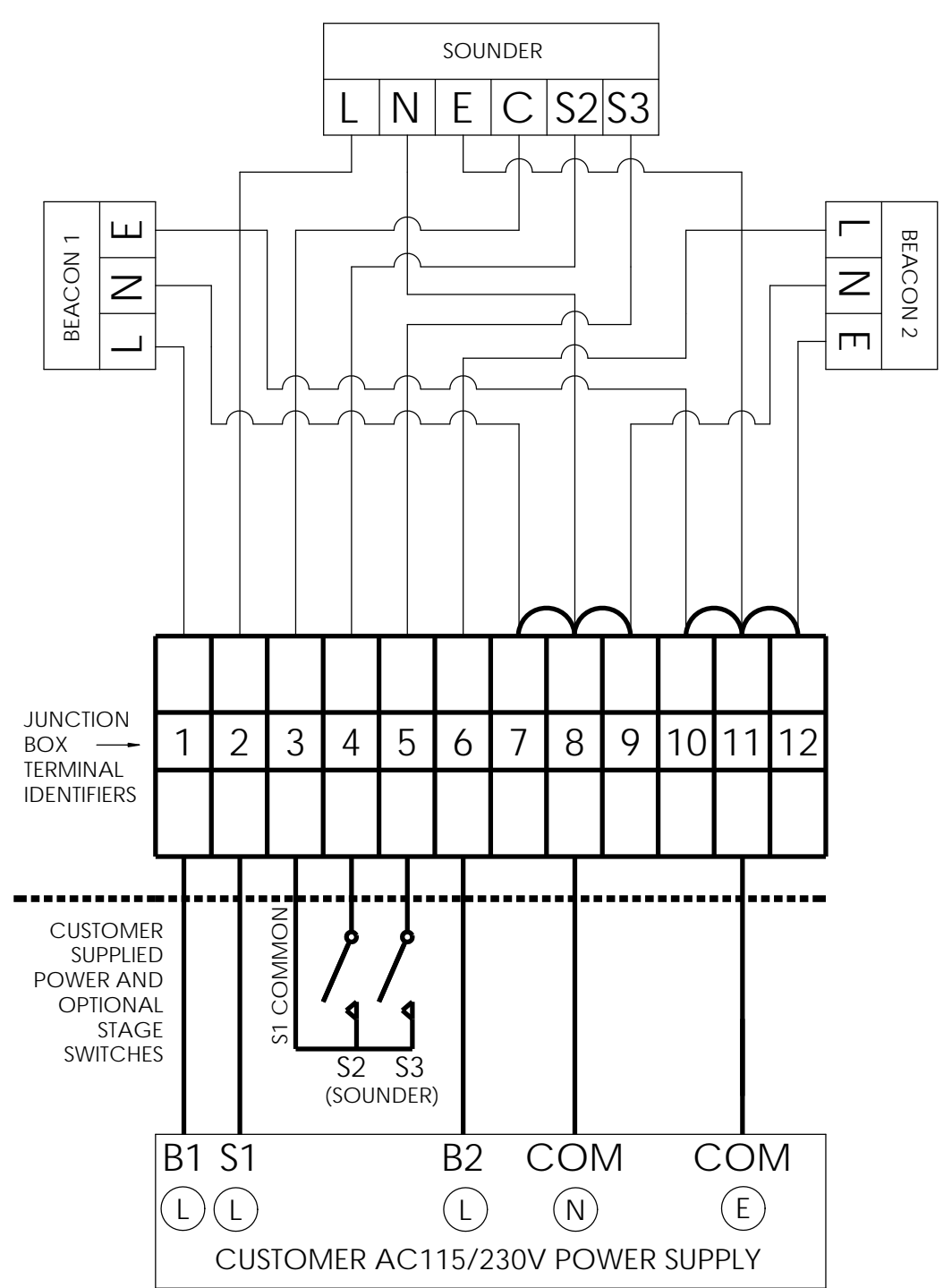
ALARM BAR WITH DC LED BEACONS



Legend			
Abbreviation	Description	Terminal	
B1 +	BEACON 1 POSITIVE	1	
Optional	S2	BEACON 1 STAGE 2 SWITCH	2
	S3	BEACON 1 STAGE 3 SWITCH	3
S1 +	SOUNDER POSITIVE	4	
Optional	S2	SOUNDER STAGE 2 SWITCH	5
	S3	SOUNDER STAGE 3 SWITCH	6
B2 +	BEACON 2 POSITIVE	7	
Optional	S2	BEACON 2 STAGE 2 SWITCH	8
	S3	BEACON 2 STAGE 3 SWITCH	9
COM -	COMMON NEGATIVE	10, 11 OR 12	

Note:
All switches shown
to be supplied by
customer

ALARM BAR WITH AC SUPPLY (ALL BEACON TYPES)



Legend			
Abbreviation	Description	Terminal	
B1 (L)	BEACON 1 LIVE	1	
S1 (L)	SOUNDER LIVE	2	
Optional	S1 COMMON	SOUNDER COMMON	3
	S2	SOUNDER STAGE 2 SWITCH	4
	S3	SOUNDER STAGE 3 SWITCH	5
B2 (L)	BEACON 2 LIVE	6	
COM (N)	COMMON NEUTRAL	7, 8 OR 9	
COM (E)	COMMON EARTH	10, 11 OR 12	

Note:
All switches shown
to be supplied by
customer