

| E2S PART NO. | DESCRIPTION | DATA REFERENCE | ISSUE | MOD No. | REASON - INITIAL - DATE |
|--------------|---|----------------|-------|---------|------------------------------------|
| WP6-BG | WP6-BG WEATHERPROOF BREAK GLASS MANUAL CALL POINT | 2-41-020 | 1 | | INTRODUCTION D.A.H - 07-02-2020 |

WP6-BG[S] SWITCH TYPE: [S] - Single Microswitch

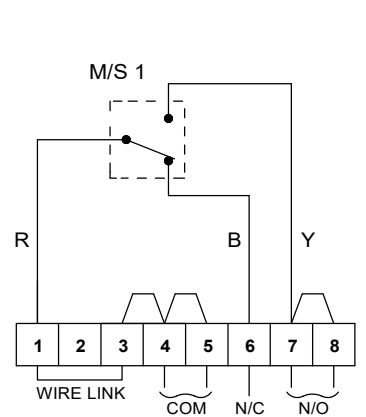
Standard Unit as supplied by E2S Without Series / EOL Devices

Standard Unit Showing positions of optional Series / EOL Devices

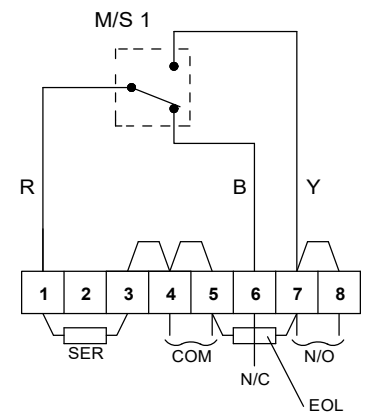
Standard Unit Showing alternative configuration of optional Series / EOL Devices

NOTE: Series / EOL devices can be fitted either by customer or pre-installed by E2S at point of order.

NOTE: Series / EOL devices can be fitted either by customer or pre-installed by E2S at point of order.

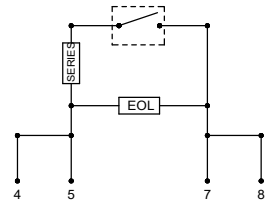


1A - Circuit shown in Unoperated condition (Glass Intact / Standby Condition)
Terminals (4,5) & (7,8) open
Terminals (4,5) & (6) closed

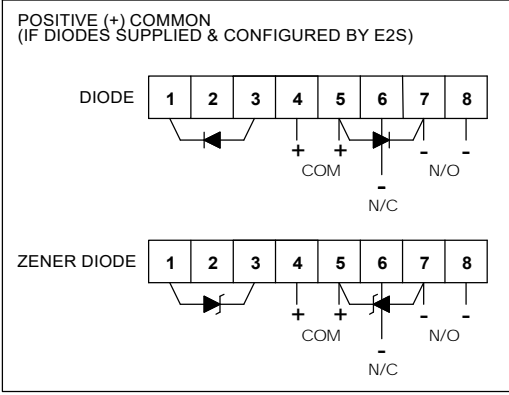


2A - Circuit shown in Unoperated condition (Glass Intact / Standby Condition)
Terminals (4,5) & (7,8) open
Terminals (4,5) & (6) closed

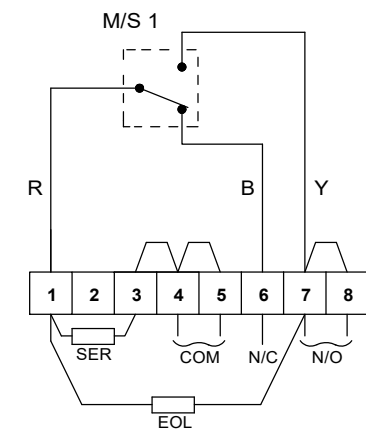
Wiring option shown with EOL & series devices acting in series



When fitting diodes or zener diodes, polarity across devices must be observed (Resistor polarity unimportant)

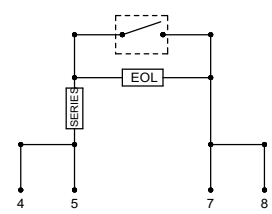


Key:
COM - Common
N/C - Normally Closed (Contacts closed in unoperated state)
N/O - Normally Open (Contacts open in unoperated state)

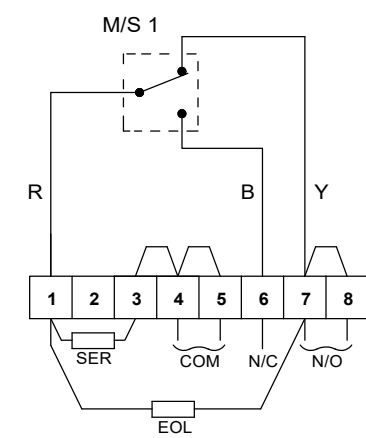
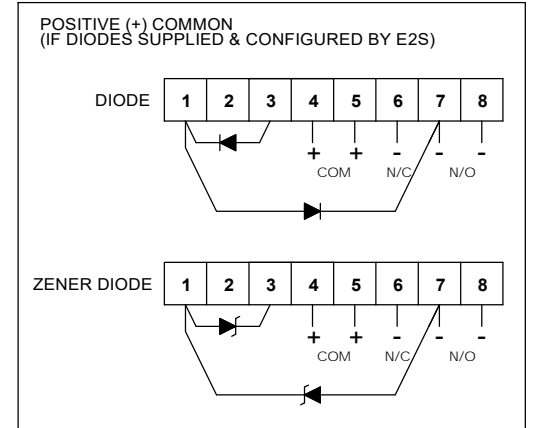


3A - Circuit shown in Unoperated condition (Glass Intact / Standby Condition)
Terminals (4,5) & (7,8) open
Terminals (4,5) & (6) closed

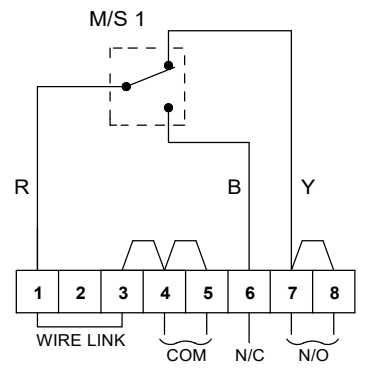
Wiring option shown with EOL & series devices acting in parallel



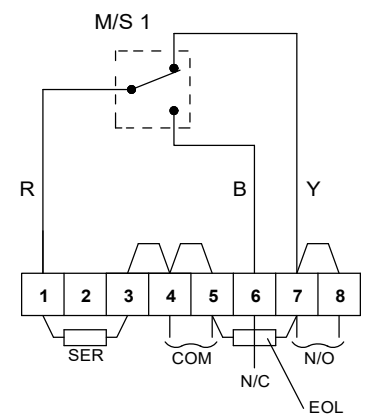
When fitting diodes or zener diodes, polarity across devices must be observed (Resistor polarity unimportant)



3B - Circuit shown in Operated condition (Glass Broken / Button pushed in)
Terminals (4,5) & (7,8) closed
Terminals (4,5) & (6) open



1B - Circuit shown in Operated condition (Glass Broken / Button pushed in)
Terminals (4,5) & (7,8) closed
Terminals (4,5) & (6) open



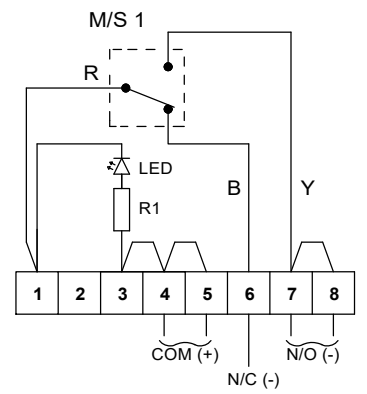
2B - Circuit shown in Operated condition (Glass Broken / Button pushed in)
Terminals (4,5) & (7,8) closed
Terminals (4,5) & (6) open

| | | | | | | | | | |
|---|------------------------------|-------------------------|----------------------|-------------|--|--|--|---|--------------|
| DRAWING TO BS8888:2000 GEOMETRIC TOLERANCES TO ISO1101:1983 LINEAR DIMENSIONAL TOLS ANGULAR DIMENSIONAL TOLS | DRAWN D.HOWGILL | DATE 07-02-20 | SURFACE FINISH | WEIGHT (Kg) | THIS DRAWING AND ANY INFORMATION OR DESCRIPTIVE MATTER THEREIN IS COMMUNICATED IN CONFIDENCE AND IS THE COPYRIGHT PROPERTY OF EUROPEAN SAFETY SYSTEMS LTD. NEITHER THE WHOLE OR ANY EXTRACT MAY BE DISCLOSED, LOANED, COPIED OR USED FOR MANUFACTURING OR TENDERING PURPOSES WITHOUT THEIR WRITTEN CONSENT. EUROPEAN SAFETY SYSTEMS LTD. AS PER LATEST DATE OF ISSUE SHOWN ABOVE | warning signals EUROPEAN SAFETY SYSTEMS LTD IMPRESS HOUSE MANSELL ROAD ACTON LONDON W3 7QH WWW.E2S.COM | ALL DIMENSIONS IN MM IF IN DOUBT, ASK - DO NOT SCALE | | A3 |
| | CHECKED R.N.POTTS | DATE 07-02-20 | MATERIAL | (C) | | | TITLE | WP6-BG WEATHERPROOF BREAK GLASS MANUAL CALL POINT WIRING SCHEMATIC | |
| | APPROVED R.N.POTTS | DATE 07-02-20 | ALTERNATIVE MATERIAL | | | | SCALE | NTS | SHEET |
| STANDARDS WP6 CALL POINTS | | | | | | | | | |

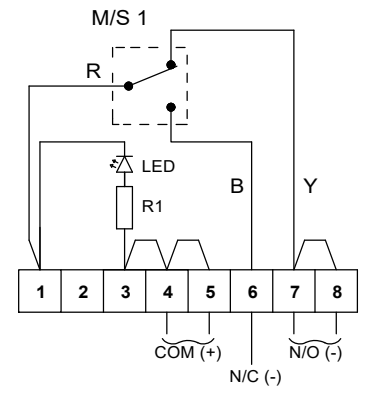
| | | |
|-------|---------|------------------------------------|
| 8 | 9 | 10 |
| ISSUE | MOD No. | REASON - INITIAL - DATE |
| 1 | | INTRODUCTION D.A.H - 07-02-2020 |

WP6-BG[S].....[L] SWITCH TYPE: [S] - Single Microswitch LED OPTION: [L] - LED Included

**Standard L.E.D Unit as supplied by E2S
Without series / EOL Devices**



**4A - Circuit shown in Unoperated condition
(Glass Intact / Standby Condition)**
Terminals (4,5) & (7,8) open
Terminals (4,5) & (6) closed

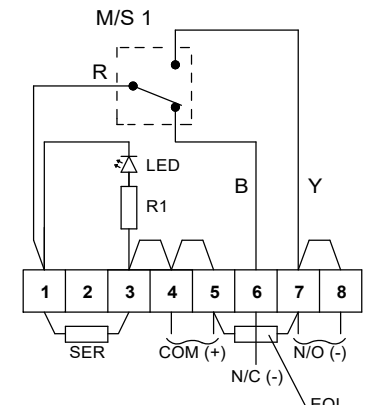


**4B - Circuit shown in Operated condition
(Glass Broken / Button pushed in)**
Terminals (4,5) & (7,8) closed
Terminals (4,5) & (6) open

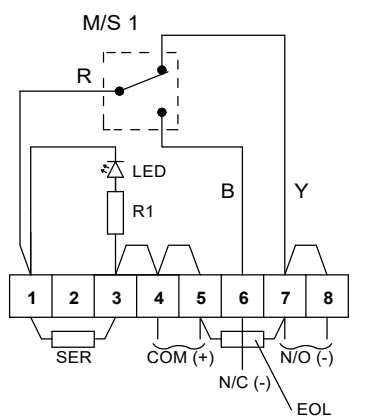
Note: LED is configured by E2S and the polarity must be observed. Use positive (+) common when wiring into the call point

**Standard L.E.D Unit
Showing optional series / EOL devices**

NOTE: Series / EOL devices can be fitted either by customer or pre-installed by E2S at point of order.

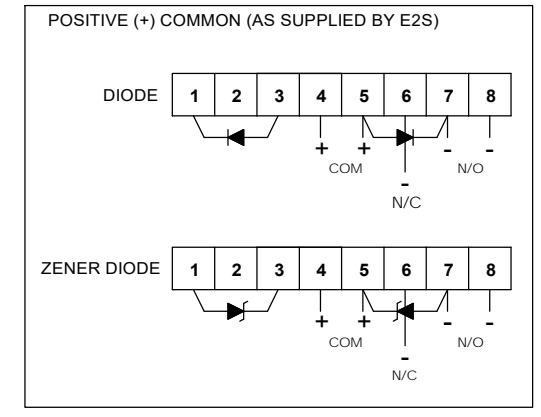


**5A - Circuit shown in Unoperated condition
(Glass Intact / Standby Condition)**
Terminals (4,5) & (7,8) open
Terminals (4,5) & (6) closed



**5B - Circuit shown in Operated condition
(Glass Broken / Button pushed in)**
Terminals (4,5) & (7,8) closed
Terminals (4,5) & (6) open

When fitting diodes or zener diodes, polarity across devices must be observed



DRAWING TO BS8888:2000
GEOMETRIC TOLERANCES TO ISO1101:1983
LINEAR DIMENSIONAL TOLS
ANGULAR DIMENSIONAL TOLS

STANDARDS
WP6 CALL POINTS

| | |
|-----------|----------|
| DRAWN | DATE |
| D.HOWGILL | 07-02-20 |
| CHECKED | DATE |
| R.N.POTTS | 07-02-20 |
| APPROVED | DATE |
| R.N.POTTS | 07-02-20 |

| | |
|----------------------|-------------|
| SURFACE FINISH | WEIGHT (Kg) |
| MATERIAL | |
| ALTERNATIVE MATERIAL | |

THIS DRAWING AND ANY INFORMATION OR DESCRIPTIVE MATTER THEREIN IS COMMUNICATED IN CONFIDENCE AND IS THE COPYRIGHT PROPERTY OF EUROPEAN SAFETY SYSTEMS LTD. NEITHER THE WHOLE OR ANY EXTRACT MAY BE DISCLOSED, LOANED, COPIED OR USED FOR MANUFACTURING OR TENDERING PURPOSES WITHOUT THEIR WRITTEN CONSENT.

© EUROPEAN SAFETY SYSTEMS LTD.
AS PER LATEST DATE OF ISSUE SHOWN ABOVE

EUROPEAN SAFETY SYSTEMS LTD
IMPRESS HOUSE
MANSELL ROAD
ACTON
LONDON W3 7QH
WWW.E2S.COM

| | | | | |
|---|--------|--------------------|--|-----------|
| ALL DIMENSIONS IN MM IF IN DOUBT, ASK - DO NOT SCALE | | | | A3 |
| TITLE WP6-BG WEATHERPROOF BREAK GLASS MANUAL CALL POINT WIRING SCHEMATIC | | | | |
| SCALE | SHEET | DRAWING NUMBER | | |
| NTS | 2 OF 3 | D233-06-001 | | |

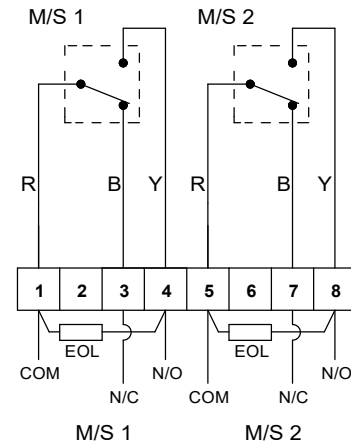
| | | |
|-------|---------|------------------------------------|
| 8 | 9 | 10 |
| ISSUE | MOD No. | REASON - INITIAL - DATE |
| 1 | | INTRODUCTION D.A.H - 07-02-2020 |

WP6-BG[D] SWITCH TYPE: [D] - Dual Microswitch

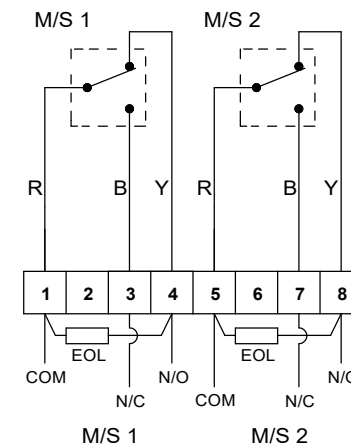
WP6-BG[X] SWITCH TYPE: [X] - Special Order

**Standard Dual Switch Unit
Showing optional EOL devices**

NOTE: EOL devices can be fitted either by customer or pre-installed by E2S at point of order.

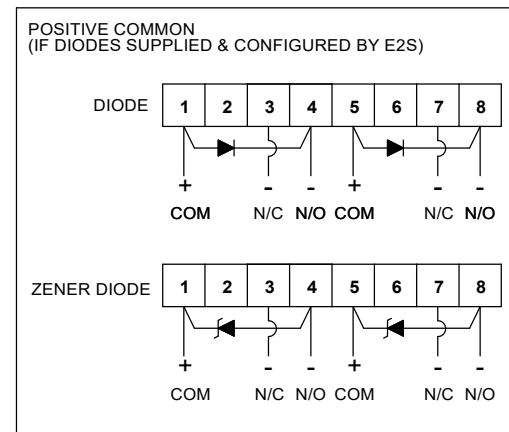


**6A - Circuit shown in Unoperated condition
(Glass Intact / Standby Condition)**
M/S1: Terminals 1 & 4 open. MS/2: Terminals 5 & 8 open.
M/S1: Terminals 1 & 3 closed. M/S2: Terminals 5 & 7 closed.



**6B - Circuit shown in Operated condition
(Glass Broken / Button pushed in)**
M/S1: Terminals 1 & 4 closed. MS/2: Terminals 5 & 8 closed.
M/S1: Terminals 1 & 3 open. M/S2: Terminals 5 & 7 open.

When fitting diodes or zener diodes, polarity across devices must be observed (Resistor polarity unimportant)



**Special Wiring Unit
Single or Dual Switch with wiring to customer request**

Other wiring configurations are available pre-configured (e.g. Dual switch configured with series and EOL devices)

Contact E2S Sales for special wiring requests

DRAWING TO BS8888:2000
GEOMETRIC TOLERANCES TO ISO1101:1983
LINEAR DIMENSIONAL TOLS
ANGULAR DIMENSIONAL TOLS

DRAWN D.HOWGILL DATE 07-02-20

CHECKED R.N.POTTS DATE 07-02-20

APPROVED R.N.POTTS DATE 07-02-20

SURFACE FINISH WEIGHT (Kg)

MATERIAL

ALTERNATIVE MATERIAL

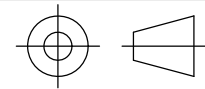
THIS DRAWING AND ANY INFORMATION OR DESCRIPTIVE MATTER THEREIN IS COMMUNICATED IN CONFIDENCE AND IS THE COPYRIGHT PROPERTY OF EUROPEAN SAFETY SYSTEMS LTD. NEITHER THE WHOLE OR ANY EXTRACT MAY BE DISCLOSED, LOANED, COPIED OR USED FOR MANUFACTURING OR TENDERING PURPOSES WITHOUT THEIR WRITTEN CONSENT.

© EUROPEAN SAFETY SYSTEMS LTD. AS PER LATEST DATE OF ISSUE SHOWN ABOVE



EUROPEAN SAFETY SYSTEMS LTD
IMPRESS HOUSE
MANSELL ROAD
ACTON
LONDON W3 7QH
WWW.E2S.COM

ALL DIMENSIONS IN MM
IF IN DOUBT, ASK -
DO NOT SCALE



A3

TITLE WP6-BG WEATHERPROOF BREAK GLASS
MANUAL CALL POINT WIRING SCHEMATIC

SCALE NTS SHEET 3 OF 3

DRAWING NUMBER D233-06-001