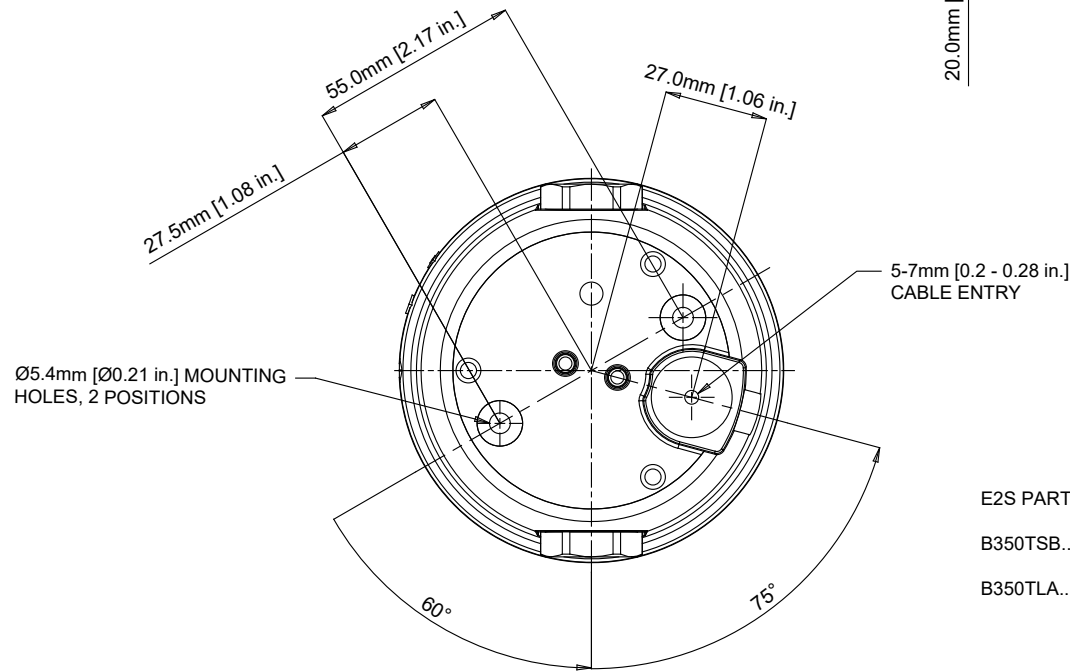
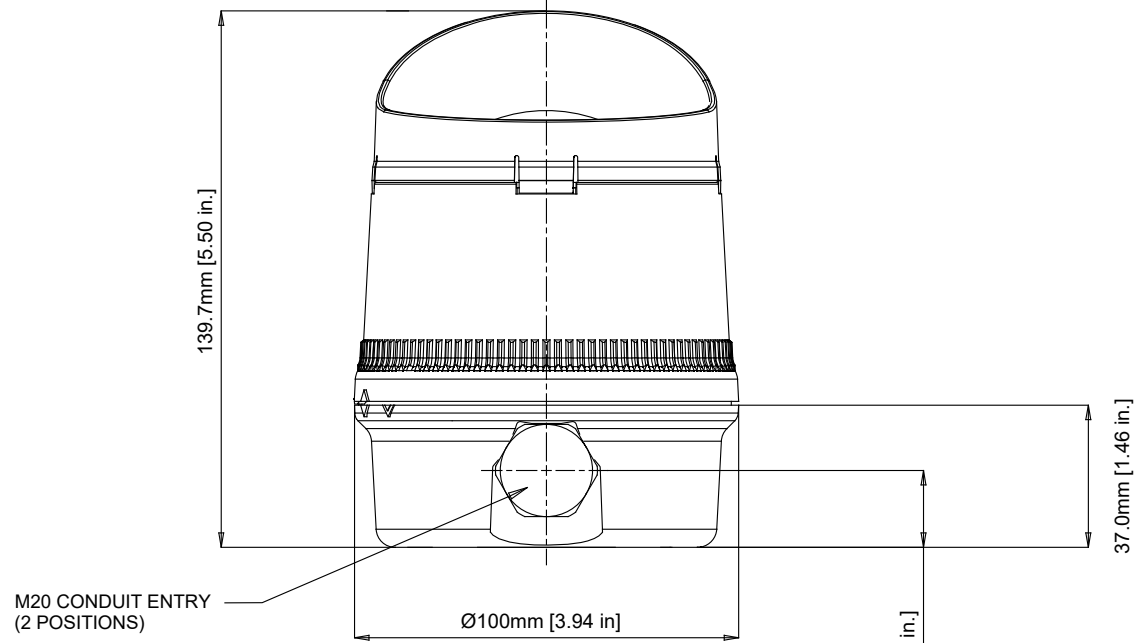


ISSUE	MOD No.	REASON - INITIAL - DATE
1	ACN0087	INTRODUCTION (WAS SK00013) RSR 01-10-2020



E2S PART No.	DESCRIPTION	DATA REFERENCE
B350TSB...	B350TSB FILAMENT LAMP TRAFFIC LIGHT	2.11.060
B350TLA...	B350TLA L.E.D TRAFFIC LIGHT	2.11.050

DRAWING TO BS8888:2000 GEOMETRIC TOLERANCES TO ISO1101:1993 LINEAR DIMENSIONAL TOLS ANGULAR DIMENSIONAL TOLS	
STANDARDS	SPECTRA

DRAWN	DATE
R.S. RAIT	01-10-2020
CHECKED	DATE
B.ISARD	01-10-2020
APPROVED	DATE
R.N.POTTS	01-10-2020

SURFACE FINISH	WEIGHT (Kg)
MATERIAL	
ALTERNATIVE MATERIAL	

THIS DRAWING AND ANY INFORMATION OR DESCRIPTIVE MATTER THEREIN IS COMMUNICATED IN CONFIDENCE AND IS THE COPYRIGHT PROPERTY OF EUROPEAN SAFETY SYSTEMS LTD. NEITHER THE WHOLE OR ANY EXTRACT MAY BE DISCLOSED, LOANED, COPIED OR USED FOR MANUFACTURING OR TENDERING PURPOSES WITHOUT THEIR WRITTEN CONSENT.

© EUROPEAN SAFETY SYSTEMS LTD.  
AS PER LATEST DATE OF ISSUE SHOWN ABOVE

EUROPEAN SAFETY SYSTEMS LTD  
IMPRESS HOUSE  
MANSELL ROAD  
ACTON  
LONDON W3 7QH  
WWW.E2S.COM

ALL DIMENSIONS IN MM IF IN DOUBT, ASK - DO NOT SCALE				A2
TITLE B350 BEACON OUTLINE DRAWING				
SCALE 1:1	SHEET 1 OF 1	DRAWING NUMBER D116-05-001		