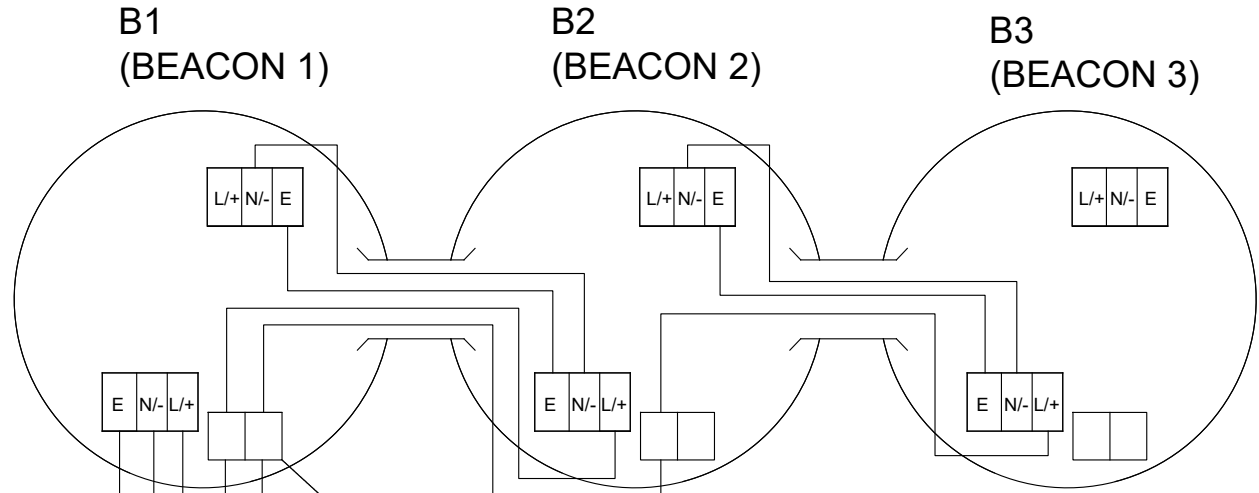


ISSUE	MOD No.	REASON - INITIAL - DATE
1	ACN0087	INTRODUCTION RSR 01-10-2020



DC Units	AC Units
Common E Common - B1 +	Common E Common N/- B1 L/+
B2 +	B2 L/+
B3 +	B3 L/+

Spare 2-way
Terminals shown
in Bases

Suggested Customer Wiring for connected units

DRAWING TO BS8888:2000 GEOMETRIC TOLERANCES TO ISO1101:1983 LINEAR DIMENSIONAL TOLS +/-0.35mm ANGULAR DIMENSIONAL TOLS +/-2 deg
STANDARDS SPECTRA

DRAWN R.S. RAIT	DATE 01-10-2020
CHECKED B. ISARD	DATE 01-10-2020
APPROVED R.N.POTTS	DATE 01-10-2020

SURFACE FINISH	WEIGHT (Kg)
MATERIAL	
ALTERNATIVE MATERIAL	

THIS DRAWING AND ANY INFORMATION OR DESCRIPTIVE MATTER THEREIN IS COMMUNICATED IN CONFIDENCE AND IS THE COPYRIGHT PROPERTY OF EUROPEAN SAFETY SYSTEMS LTD. NEITHER THE WHOLE OR ANY EXTRACT MAY BE DISCLOSED, LOANED, COPIED OR USED FOR MANUFACTURING OR TENDERING PURPOSES WITHOUT THEIR WRITTEN CONSENT.

© EUROPEAN SAFETY SYSTEMS LTD.
AS PER LATEST DATE OF ISSUE SHOWN ABOVE

EUROPEAN SAFETY SYSTEMS LTD
IMPRESS HOUSE
MANSELL ROAD
ACTON
LONDON W3 7QH
WWW.E2S.COM

ALL DIMENSIONS IN MM IF IN DOUBT, ASK - DO NOT SCALE		A3
TITLE B350TLA & B450TLA WIRING DIAGRAM		
SCALE NTS	SHEET 1 OF 1	DRAWING NUMBER D116-06-001