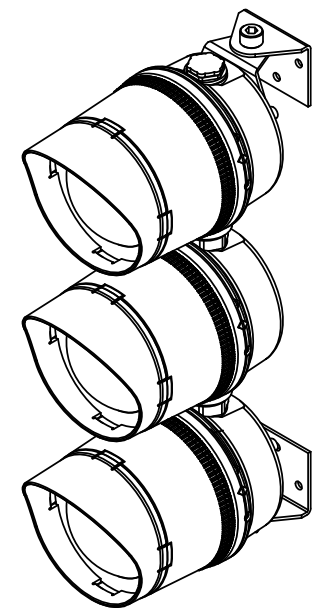
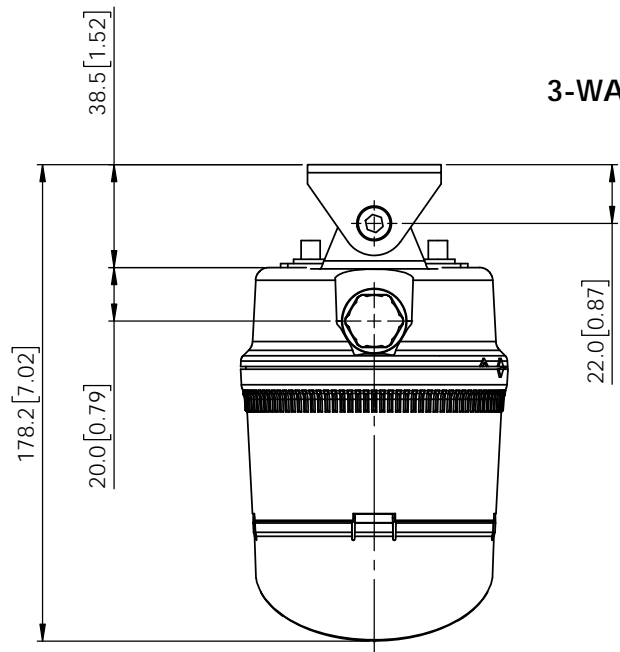
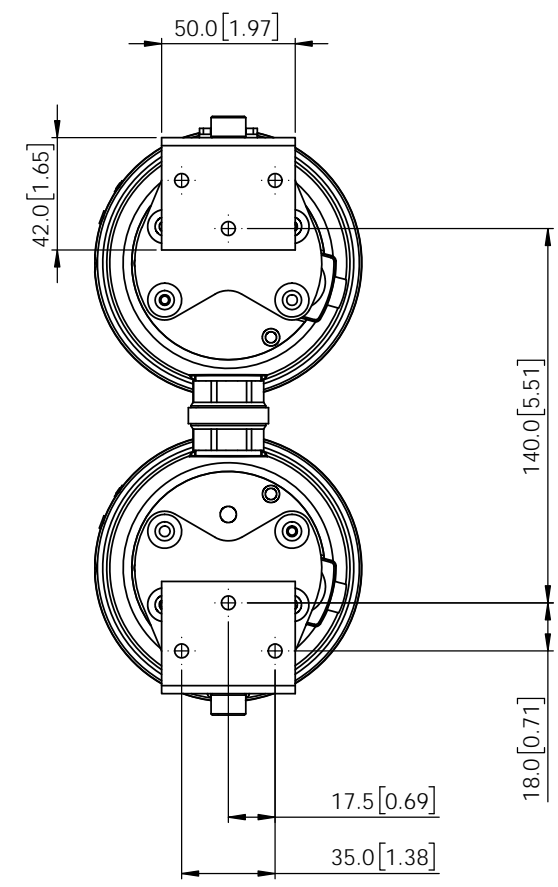
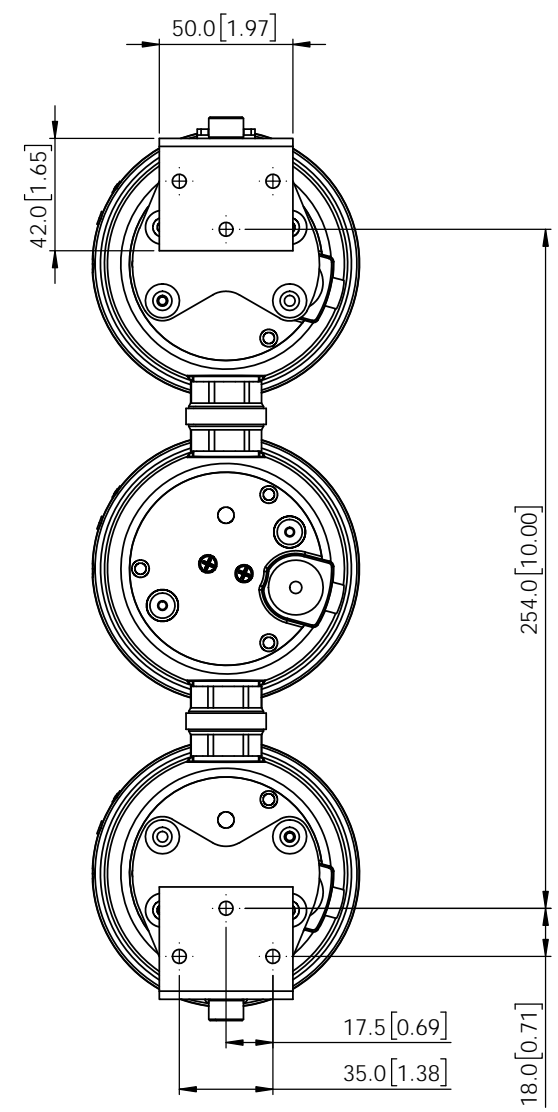
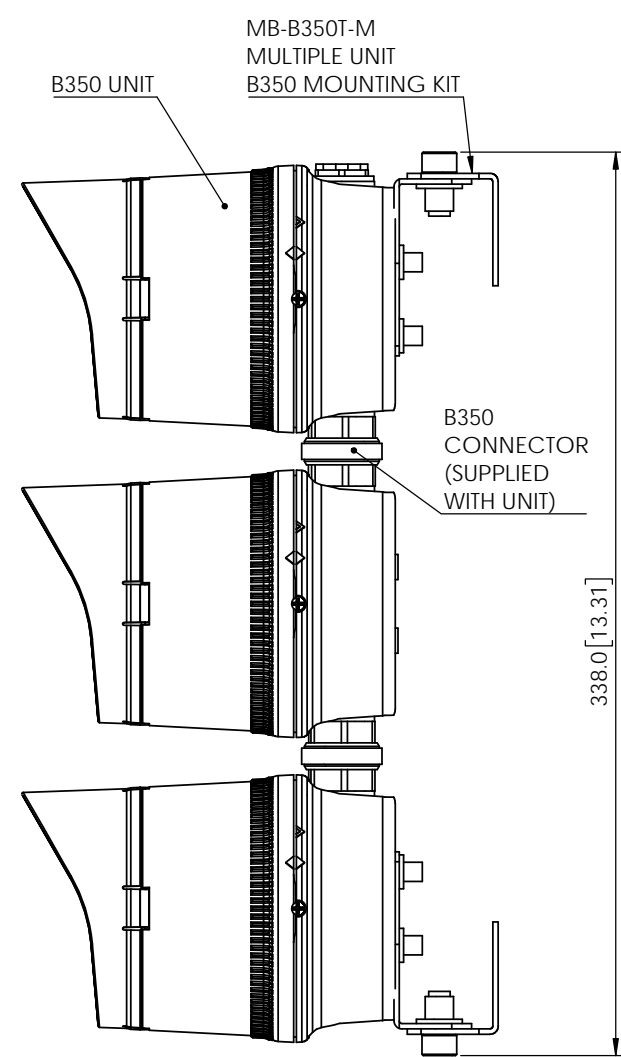
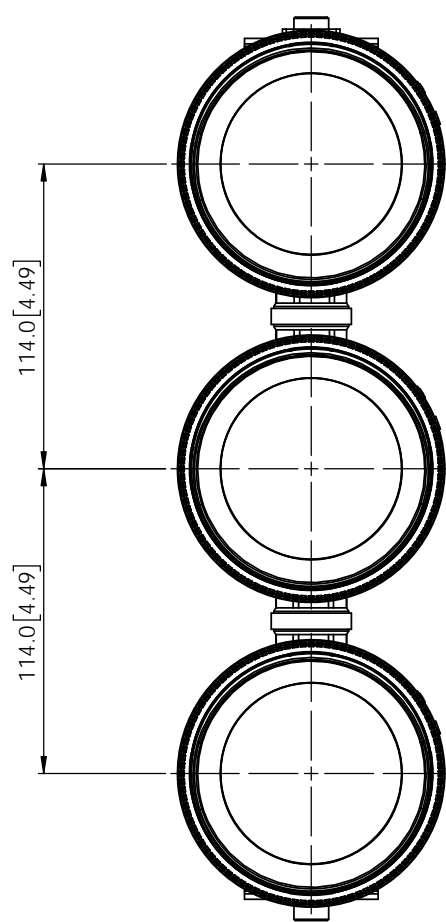
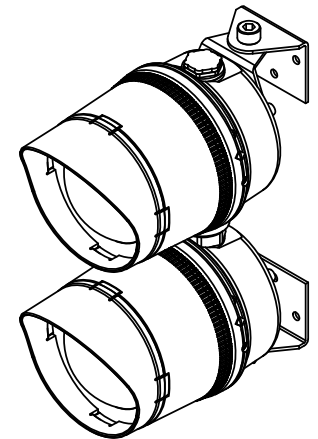


ISSUE	MOD No.	REASON - INITIAL - DATE
1		INTRODUCTION DAH - 28/01/21

**3-WAY B350 STACK WITH MULTIPLE UNIT MOUNTING KIT**



**2-WAY B350 STACK WITH MULTIPLE UNIT MOUNTING KIT**



DIMENSIONS IN MM [INCHES]

DRAWING TO BS8888:2000 GEOMETRIC TOLERANCES TO ISO1101:1983 LINEAR DIMENSIONAL TOLS ANGULAR DIMENSIONAL TOLS	DRAWN D.HOWGILL	DATE 28/01/21	SURFACE FINISH FINISH	WEIGHT (Kg)	THIS DRAWING AND ANY INFORMATION OR DESCRIPTIVE MATTER THEREIN IS COMMUNICATED IN CONFIDENCE AND IS THE COPYRIGHT PROPERTY OF EUROPEAN SAFETY SYSTEMS LTD. NEITHER THE WHOLE OR ANY EXTRACT MAY BE DISCLOSED, LOANED, COPIED OR USED FOR MANUFACTURING OR TENDERING PURPOSES WITHOUT THEIR WRITTEN CONSENT.	 EUROPEAN SAFETY SYSTEMS LTD IMPRESS HOUSE MANSELL ROAD ACTON LONDON W3 7QH WWW.E2S.COM	ALL DIMENSIONS IN MM IF IN DOUBT, ASK - DO NOT SCALE			A2
	CHECKED R.N.POTTS	DATE 28/01/21	MATERIAL	TITLE B350 BEACON STACK WITH MOUNTING BRACKETS - OUTLINE						
	STANDARDS	APPROVED R.N.POTTS	DATE 28/01/21	ALTERNATIVE MATERIAL			SCALE 1:2	SHEET 1 OF 1	DRAWING NUMBER D116-05-701	

© EUROPEAN SAFETY SYSTEMS LTD.  
AS PER LATEST DATE OF ISSUE SHOWN ABOVE