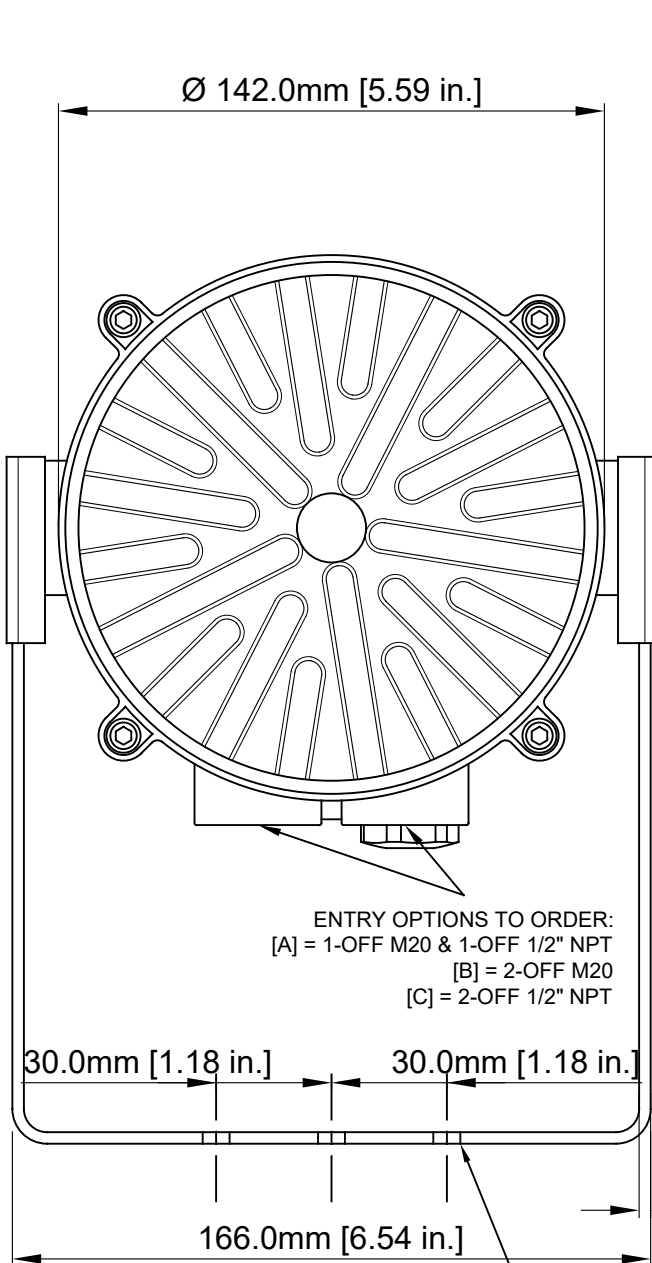
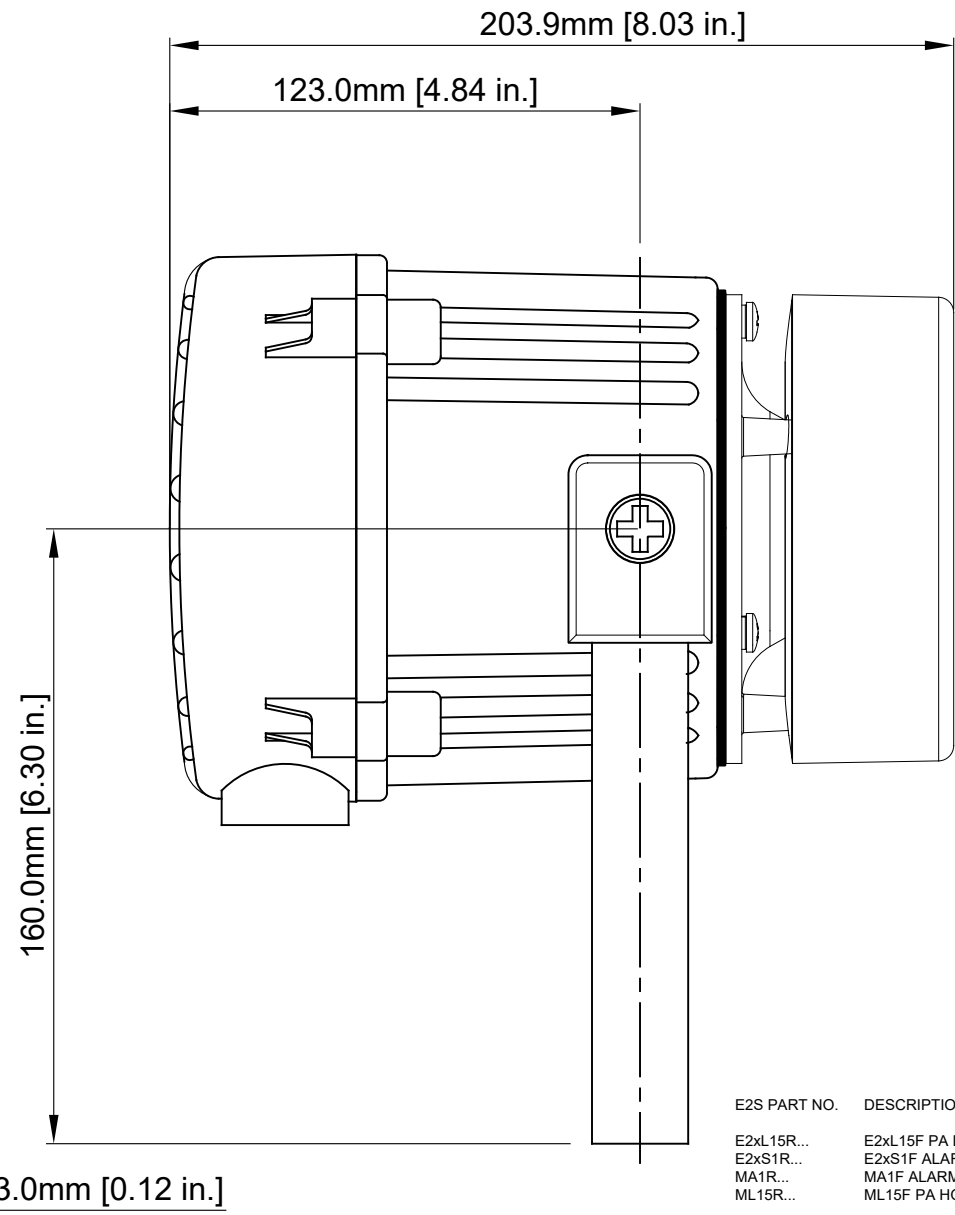


ISSUE	MOD No.	INITIAL/DATE
A		INTRODUCTION RSR 31/03/2021



ENTRY OPTIONS TO ORDER:
 [A] = 1-OFF M20 & 1-OFF 1/2" NPT
 [B] = 2-OFF M20
 [C] = 2-OFF 1/2" NPT

3 Holes Ø 7.0 [0.28 in.]



E2S PART NO.	DESCRIPTION	DATA REFERENCE
E2xL15R...	E2xL15F PA LOUDSPEAKERS	1.32.030
E2xS1R...	E2xS1F ALARM SOUNDER/HORN	1.32.010
MA1R...	MA1F ALARM SOUNDER	2.21.190
ML15R...	ML15F PA HORN LOUDSPEAKER	2.24.010

WHERE APPLICABLE UL VERSIONS ARE COVERED BY THIS OUTLINE DRAWING.

DRAWING TO BS8888:2000 GEOMETRIC TOLERANCES TO ISO1101:1983 LINEAR DIMENSIONAL TOLS ANGULAR DIMENSIONAL TOLS	DRAWN	DATE	SURFACE FINISH	WEIGHT (Kg)
	R. S. RAIT	18-12-2020		
STANDARDS	CHECKED	DATE	MATERIAL	
	B. ISARD	18-12-2020		
	APPROVED	DATE	ALTERNATIVE MATERIAL	
	R. POTTS	18-12-2020		

THIS DRAWING AND ANY INFORMATION OR DESCRIPTIVE MATTER THEREIN IS COMMUNICATED IN CONFIDENCE AND IS THE COPYRIGHT PROPERTY OF EUROPEAN SAFETY SYSTEMS LTD. NEITHER THE WHOLE OR ANY EXTRACT MAY BE DISCLOSED, LOANED, COPIED OR USED FOR MANUFACTURING OR TENDERING PURPOSES WITHOUT THEIR WRITTEN CONSENT.

© EUROPEAN SAFETY SYSTEMS LTD.
AS PER LATEST DATE OF ISSUE SHOWN ABOVE



ALL DIMENSIONS IN MM IF IN DOUBT, ASK - DO NOT SCALE		A2
TITLE E2xS1R / MA1R SOUNDER OUTLINE		
SCALE 1:1	SHEET 1 OF 1	DRAWING NUMBER D207-05-011