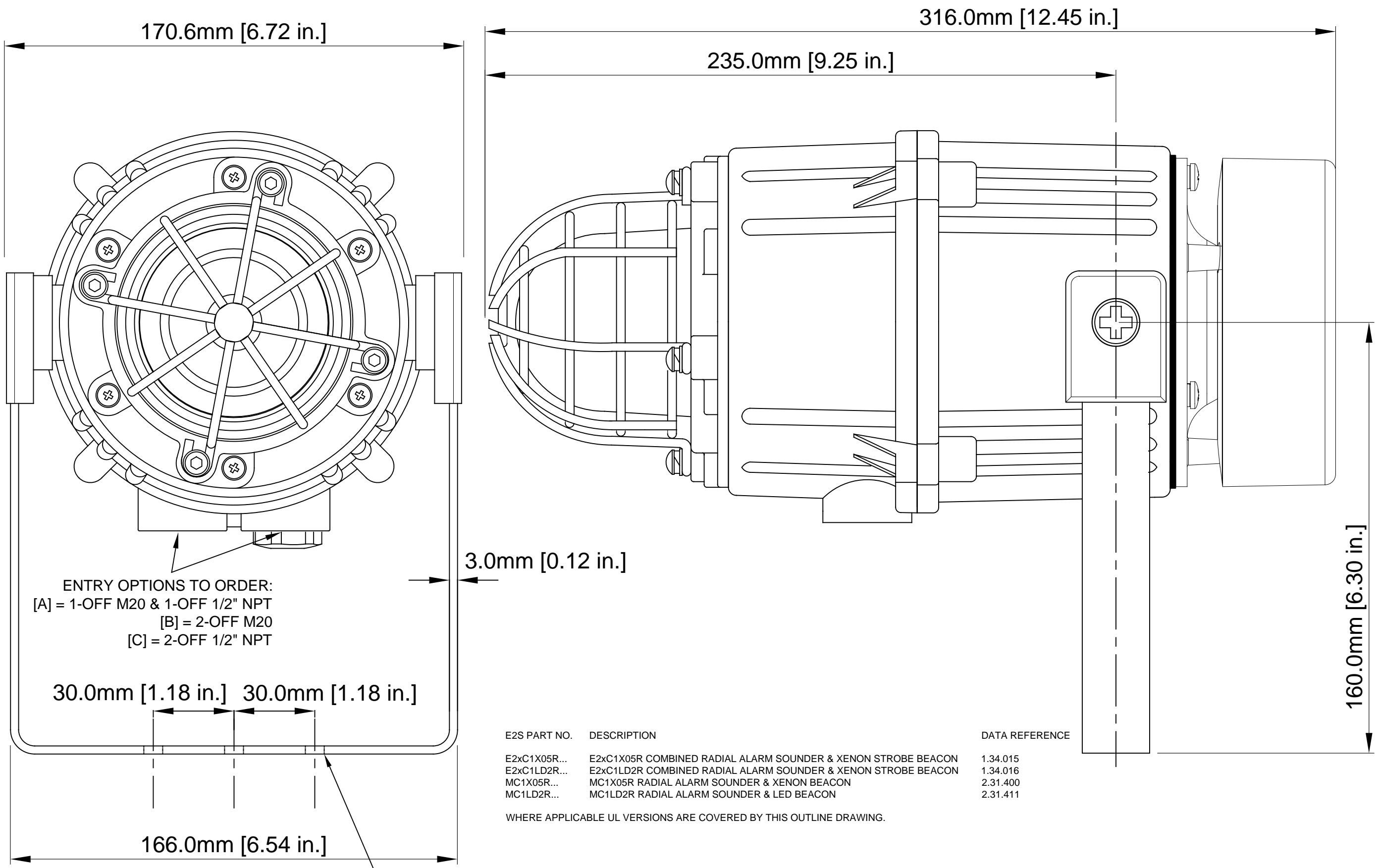


ISSUE	MOD No.	INITIAL/DATE
A		TAKEN FROM SK0475 RSR 05-01-2021



ENTRY OPTIONS TO ORDER:  
 [A] = 1-OFF M20 & 1-OFF 1/2" NPT  
 [B] = 2-OFF M20  
 [C] = 2-OFF 1/2" NPT

E2S PART NO.	DESCRIPTION	DATA REFERENCE
E2xC1X05R...	E2xC1X05R COMBINED RADIAL ALARM SOUNDER & XENON STROBE BEACON	1.34.015
E2xC1LD2R...	E2xC1LD2R COMBINED RADIAL ALARM SOUNDER & XENON STROBE BEACON	1.34.016
MC1X05R...	MC1X05R RADIAL ALARM SOUNDER & XENON BEACON	2.31.400
MC1LD2R...	MC1LD2R RADIAL ALARM SOUNDER & LED BEACON	2.31.411

WHERE APPLICABLE UL VERSIONS ARE COVERED BY THIS OUTLINE DRAWING.

DRAWING TO BS8888:2000 GEOMETRIC TOLERANCES TO ISO1101:1983 LINEAR DIMENSIONAL TOLS ANGULAR DIMENSIONAL TOLS	DRAWN R. S. RAIT	DATE 13-06-17	SURFACE FINISH	WEIGHT (Kg)	THIS DRAWING AND ANY INFORMATION OR DESCRIPTIVE MATTER THEREIN IS COMMUNICATED IN CONFIDENCE AND IS THE COPYRIGHT PROPERTY OF EUROPEAN SAFETY SYSTEMS LTD. NEITHER THE WHOLE OR ANY EXTRACT MAY BE DISCLOSED, LOANED, COPIED OR USED FOR MANUFACTURING OR TENDERING PURPOSES WITHOUT THEIR WRITTEN CONSENT.	warning signals EUROPEAN SAFETY SYSTEMS LTD IMPRESS HOUSE MANSELL ROAD ACTON LONDON W3 7QH WWW.E2S.COM	ALL DIMENSIONS IN MM IF IN DOUBT, ASK - DO NOT SCALE	<b>A2</b>
	STANDARDS	CHECKED B. ISARD	DATE 13-06-17	MATERIAL				
	APPROVED R. POTTS	DATE 13-06-17	ALTERNATIVE MATERIAL	© EUROPEAN SAFETY SYSTEMS LTD. AS PER LATEST DATE OF ISSUE SHOWN ABOVE	SCALE 1:1	SHEET 1 OF 1	DRAWING NUMBER <b>D207-05-511</b>	