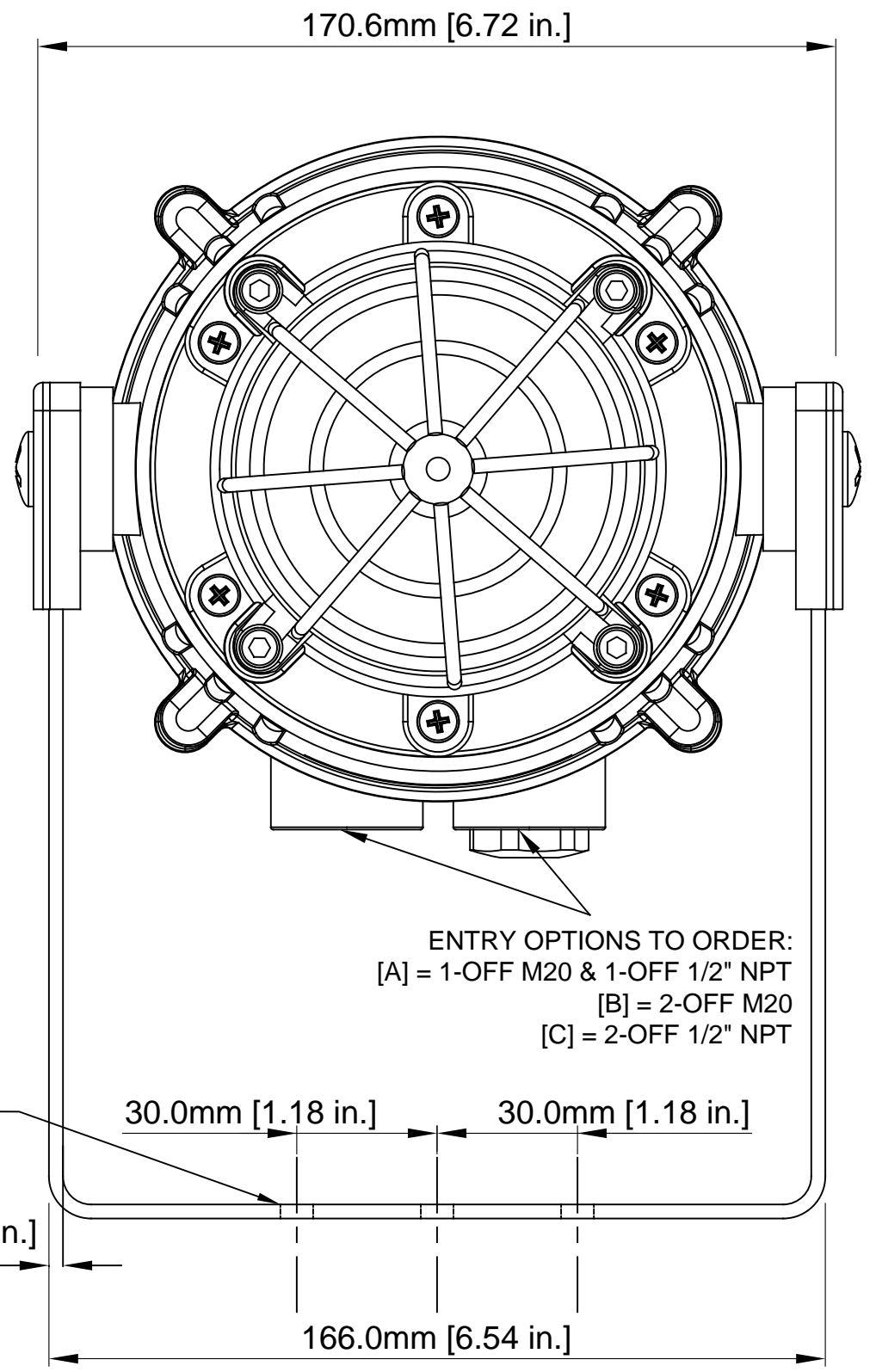
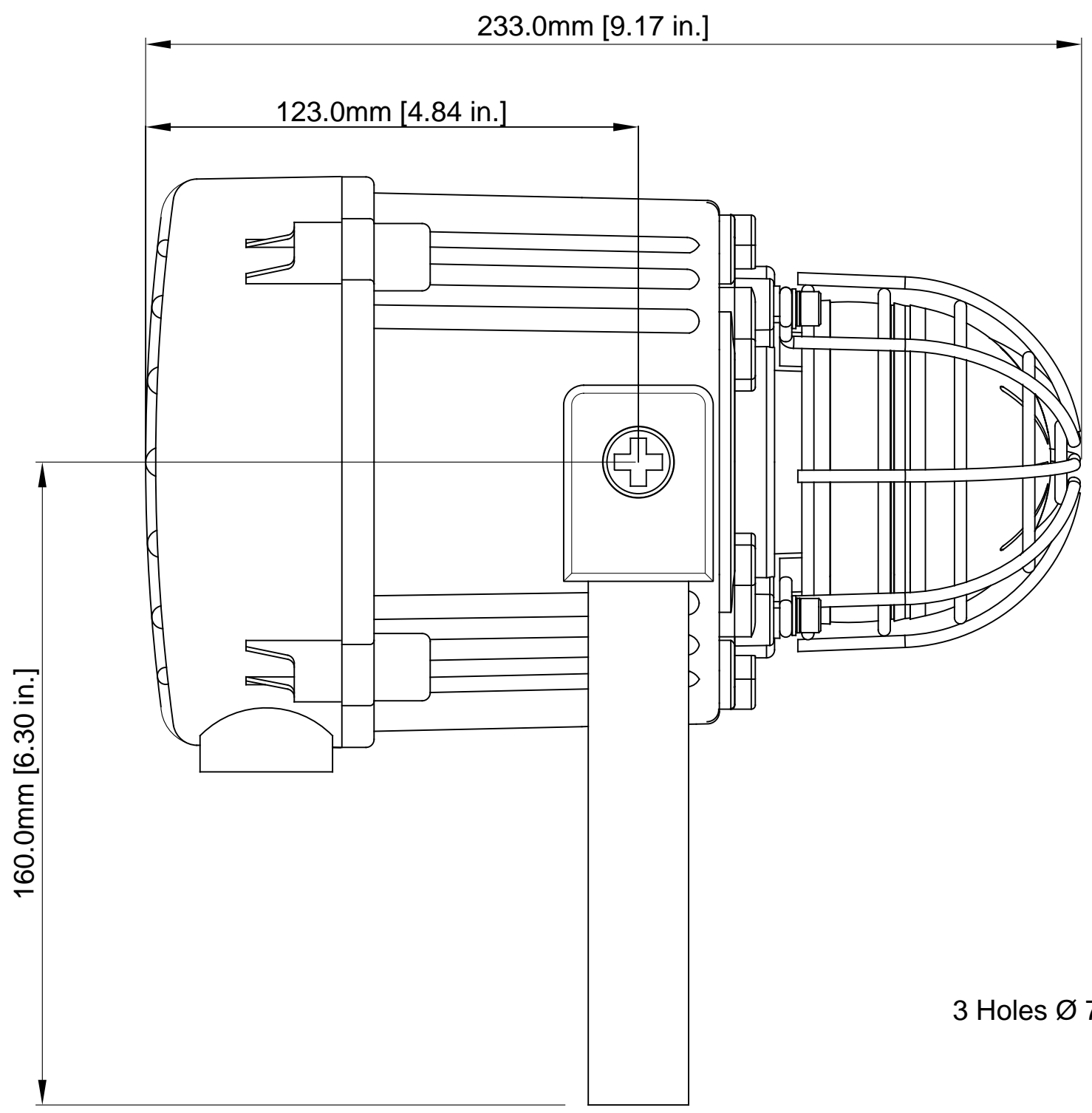


ISSUE	MOD No.	INITIAL/DATE
A		TAKEN FROM SK0072 RSR 05-01-2021



ENTRY OPTIONS TO ORDER:
 [A] = 1-OFF M20 & 1-OFF 1/2" NPT
 [B] = 2-OFF M20
 [C] = 2-OFF 1/2" NPT

E2S PART NO.	DESCRIPTION	DATA REFERENCE
E2xB05...	E2xB05 XENON STROBE BEACON	1.31.010
E2xB10...	E2xB10 XENON STROBE BEACON	1.31.020
E2xBL2...	E2xBL2 LED BEACON	1.31.030
MBX05...	MBX05 XENON STROBE BEACON	2.13.060
MBX10...	MBX10 XENON STROBE BEACON	2.13.070
MBX15...	MBX15 XENON STROBE BEACON	2.13.100
MBX21...	MBX21 XENON STROBE BEACON	2.13.110
MBLD2...	MBLD2 LED BEACON	2.14.061

WHERE APPLICABLE UL VERSIONS ARE COVERED BY THIS OUTLINE DRAWING.

DRAWING TO BS8888:2000 GEOMETRIC TOLERANCES TO ISO1101:1983 LINEAR DIMENSIONAL TOLS ANGULAR DIMENSIONAL TOLS
STANDARDS E2x

DRAWN R. S. RAIT	DATE 18-12-2020
CHECKED B. ISARD	DATE 18-12-2020
APPROVED R. POTTS	DATE 18-12-2020

SURFACE FINISH	WEIGHT (Kg)
MATERIAL	
ALTERNATIVE MATERIAL	

THIS DRAWING AND ANY INFORMATION OR DESCRIPTIVE MATTER THEREIN IS COMMUNICATED IN CONFIDENCE AND IS THE COPYRIGHT PROPERTY OF EUROPEAN SAFETY SYSTEMS LTD. NEITHER THE WHOLE OR ANY EXTRACT MAY BE DISCLOSED, LOANED, COPIED OR USED FOR MANUFACTURING OR TENDERING PURPOSES WITHOUT THEIR WRITTEN CONSENT.

© EUROPEAN SAFETY SYSTEMS LTD.
AS PER LATEST DATE OF ISSUE SHOWN ABOVE

EUROPEAN SAFETY SYSTEMS LTD
IMPRESS HOUSE
MANSELL ROAD
ACTON
LONDON W3 7QH
WWW.E2S.COM

ALL DIMENSIONS IN MM IF IN DOUBT, ASK - DO NOT SCALE		A2
TITLE E2xB05, E2xB10, E2xBL2, MBX21, MBX15, MBX05, MBX10, MBLD2 Beacon		
SCALE 1:1	SHEET 1 OF 1	DRAWING NUMBER D207-05-201