

----- WIRING LINKING BEACON & SOUNDER
FACTORY FITTED

SWITCHES FOR STAGE OPERATION
CUSTOMER SUPPLIED

Linked Sounder & Beacon Activation (Default)

Single Stage Configuration Config.: 1a

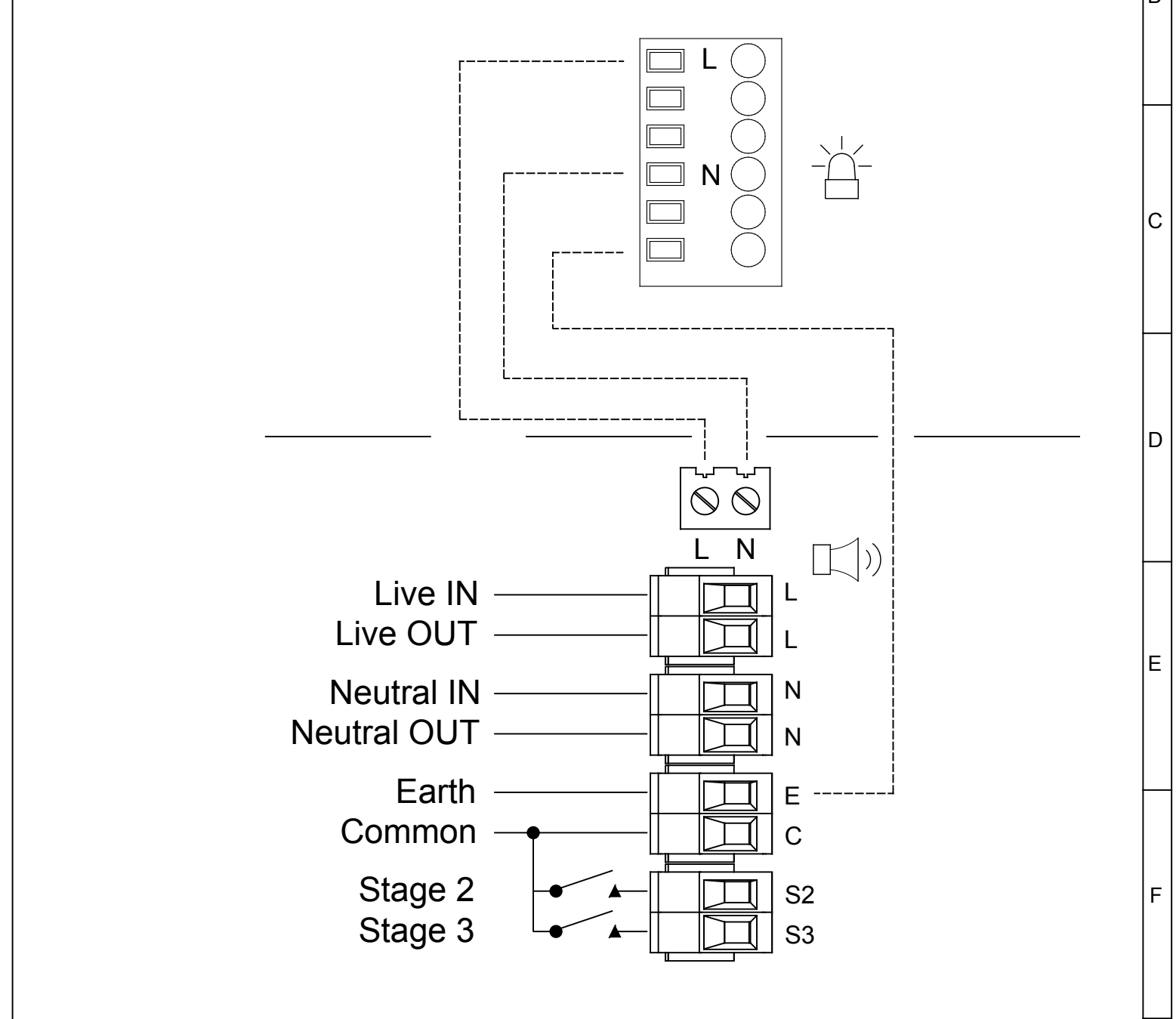
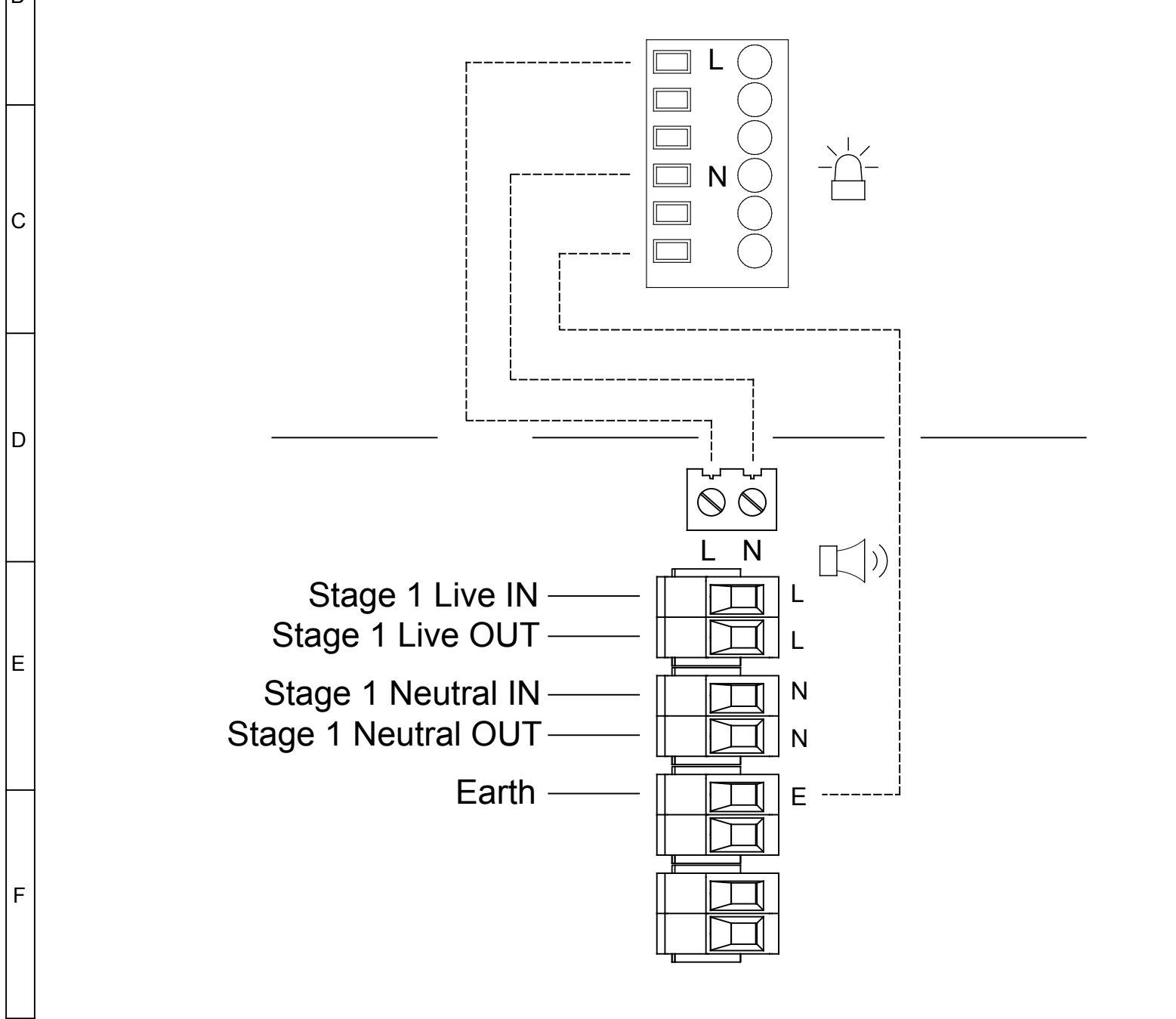
Two/Three Stage Sounder Configuration Config.: 1b

Stage 1: Apply Power to Stage 1 Live & Stage 1 Neutral

Stage 1: Apply Power to Live & Neutral

Stage 2: Apply Power to Live & Neutral & connect Stage 2 to Common

Stage 3: Apply Power to Live & Neutral & connect Stage 3 to Common



| | | | | | | | | | | | |
|---|-----------|------------|----------------|-------------|---|---|--|--|-----------|--------------------|----------------|
| DRAWING TO BS8888:2000 GEOMETRIC TOLERANCES TO ISO1101:1983 LINEAR DIMENSIONAL TOLS ANGULAR DIMENSIONAL TOLS | DRAWN | DATE | SURFACE FINISH | WEIGHT (Kg) | THIS DRAWING AND ANY INFORMATION OR DESCRIPTIVE MATTER THEREIN IS COMMUNICATED IN CONFIDENCE AND IS THE COPYRIGHT PROPERTY OF EUROPEAN SAFETY SYSTEMS LTD. NEITHER THE WHOLE OR ANY EXTRACT MAY BE DISCLOSED, LOANED, COPIED OR USED FOR MANUFACTURING OR TENDERING PURPOSES WITHOUT THEIR WRITTEN CONSENT. | <small>EUROPEAN SAFETY SYSTEMS LTD IMPRESS HOUSE MANSELL ROAD ACTON LONDON W3 7QH WWW.E2S.COM</small> | ALL DIMENSIONS IN MM IF IN DOUBT, ASK - DO NOT SCALE | | A3 | | |
| | R.S.RAIT | 05/03/2021 | | | | | MATERIAL | TITLE MC1LD2 AC COMBINED SOUNDER LED BEACON WIRING DIAGRAMS | SCALE | SHEET | DRAWING NUMBER |
| | STANDARDS | B.ISARD | 05/03/2021 | | | | ALTERNATIVE MATERIAL | NTS | 1 OF 2 | D207-06-515 | |
| M RANGE | APPROVED | DATE | | | © EUROPEAN SAFETY SYSTEMS LTD. AS PER LATEST DATE OF ISSUE SHOWN ABOVE | | | | | | |
| | R.N.POTTS | 05/03/2021 | | | | | | | | | |

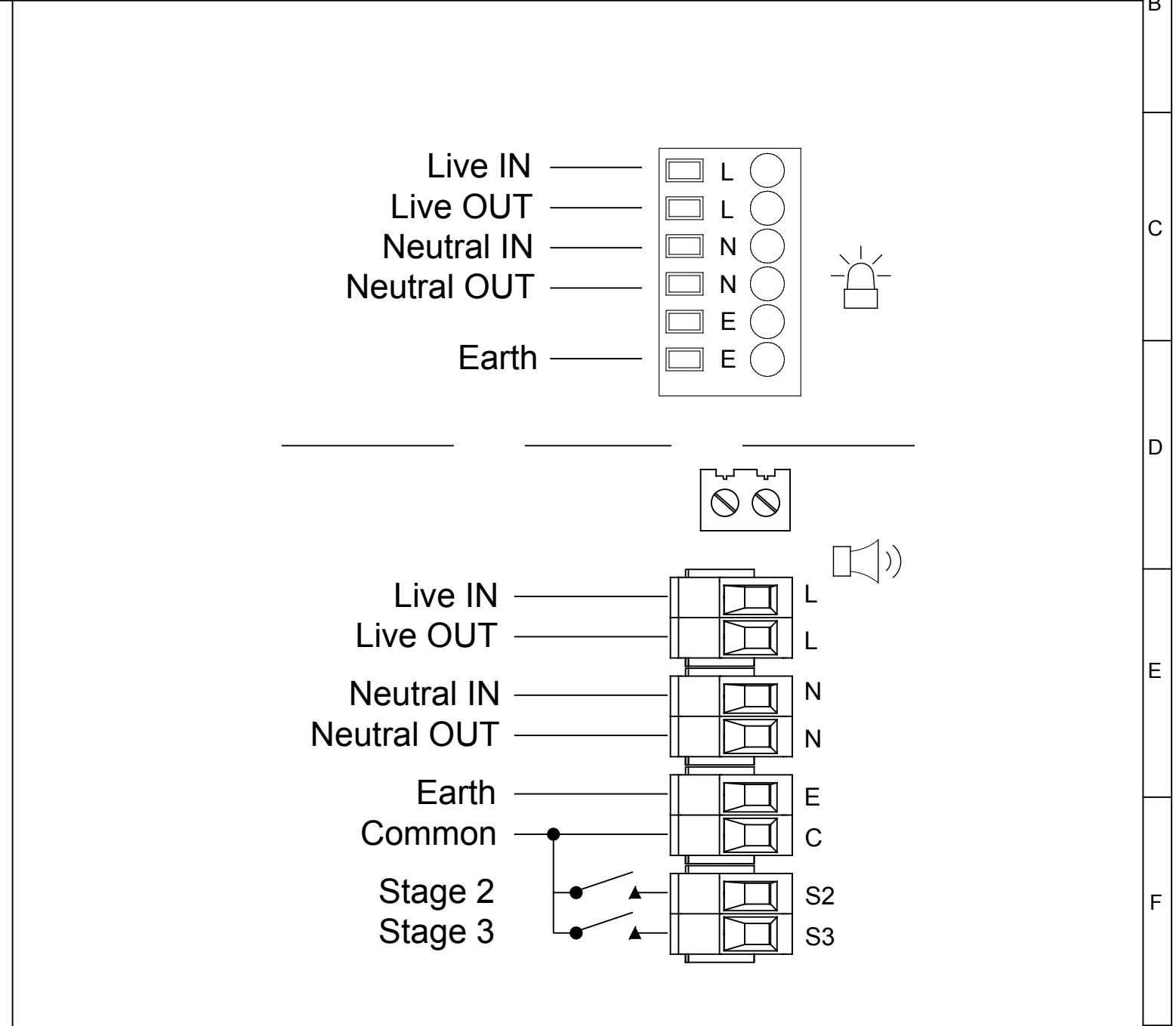
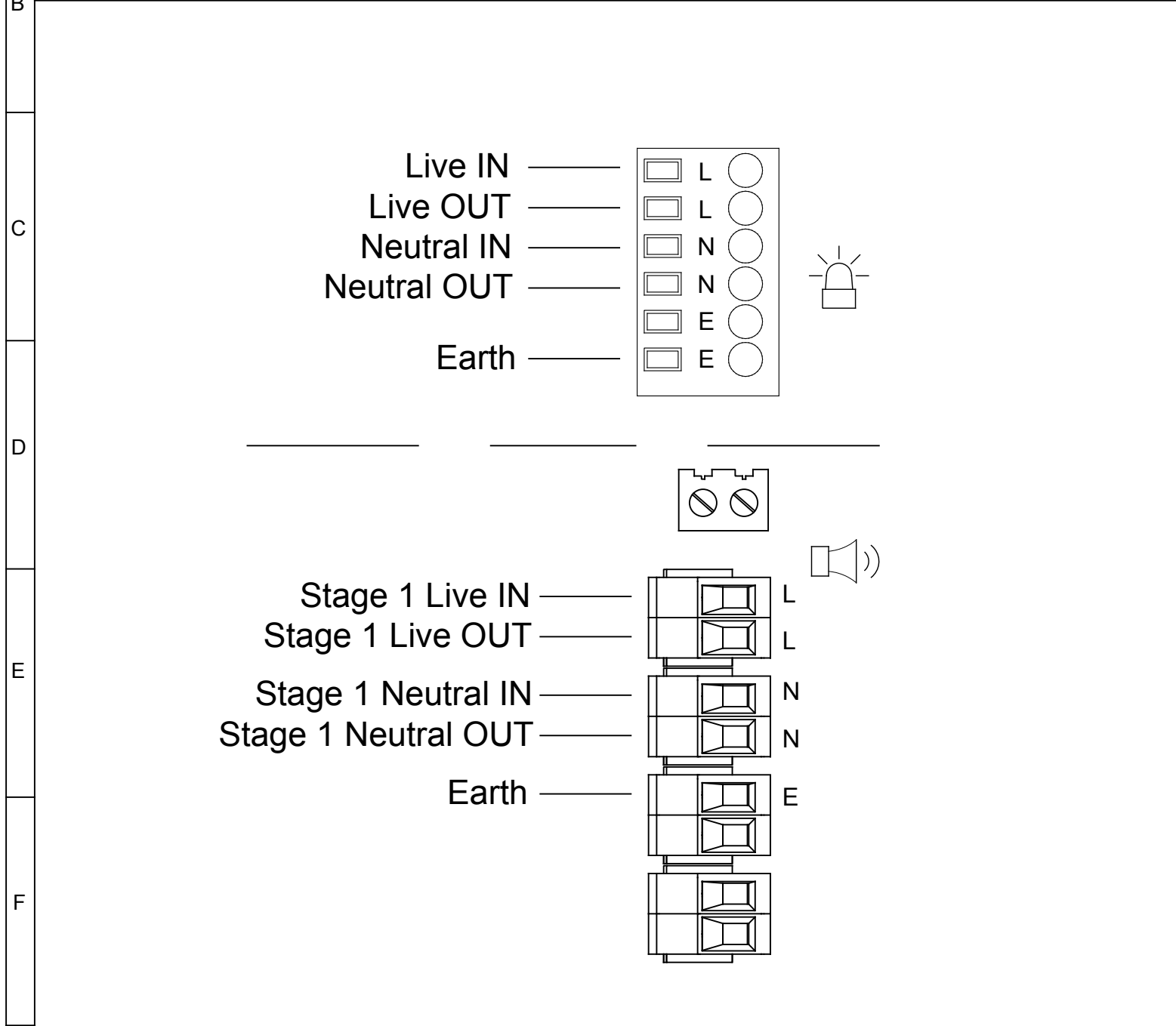
----- WIRING LINKING BEACON & SOUNDER
FACTORY FITTED

SWITCHES FOR STAGE OPERATION
CUSTOMER SUPPLIED

Independent Sounder & Beacon Activation (Remove Link Wires)

Single Stage Configuration Config.: 2a
 Stage 1: Apply Power to Stage 1 Live & Stage 1 Neutral

Two/Three Stage Sounder Configuration Config.: 2b
 Stage 1: Apply Power to Live & Neutral
 Stage 2: Apply Power to Live & Neutral & connect Stage 2 to Common
 Stage 3: Apply Power to Live & Neutral & connect Stage 3 to Common



| | | | | | | | | | | |
|---|-----------|------------|----------------|-------------|---|--|--|--|-----------|--------------------|
| DRAWING TO BS8888:2000 GEOMETRIC TOLERANCES TO ISO1101:1983 LINEAR DIMENSIONAL TOLS ANGULAR DIMENSIONAL TOLS | DRAWN | DATE | SURFACE FINISH | WEIGHT (Kg) | THIS DRAWING AND ANY INFORMATION OR DESCRIPTIVE MATTER THEREIN IS COMMUNICATED IN CONFIDENCE AND IS THE COPYRIGHT PROPERTY OF EUROPEAN SAFETY SYSTEMS LTD. NEITHER THE WHOLE OR ANY EXTRACT MAY BE DISCLOSED, LOANED, COPIED OR USED FOR MANUFACTURING OR TENDERING PURPOSES WITHOUT THEIR WRITTEN CONSENT. | EUROPEAN SAFETY SYSTEMS LTD IMPRESS HOUSE MANSSELL ROAD ACTON LONDON W3 7QH WWW.E2S.COM | ALL DIMENSIONS IN MM IF IN DOUBT, ASK - DO NOT SCALE | | A3 | |
| | R.S.RAIT | 05/03/2021 | | | | | MATERIAL | TITLE MC1LD2 AC COMBINED SOUNDER LED BEACON WIRING DIAGRAMS | | |
| | CHECKED | DATE | | | | | ALTERNATIVE MATERIAL | SCALE | SHEET | DRAWING NUMBER |
| | B.ISARD | 05/03/2021 | | | | | | NTS | 2 OF 2 | D207-06-515 |
| STANDARDS | APPROVED | DATE | | | | | | | | |
| M RANGE | R.N.POTTS | 05/03/2021 | | | | | | | | |