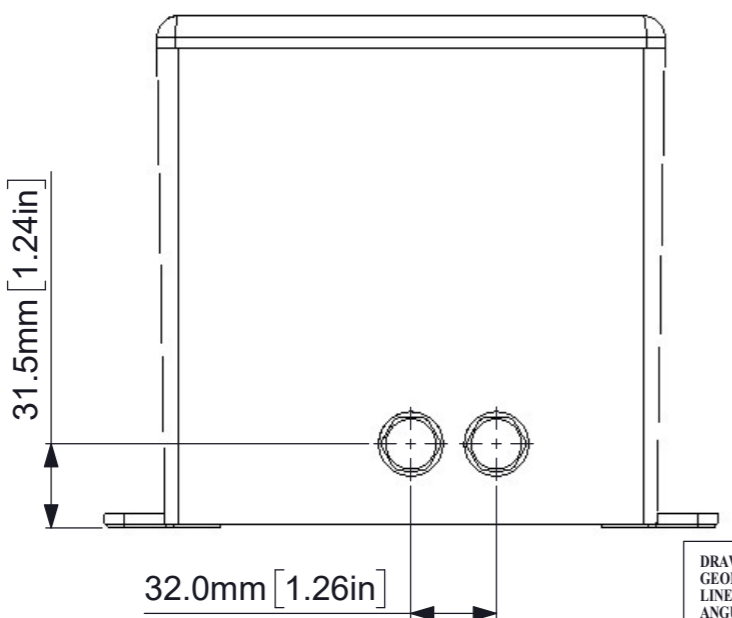
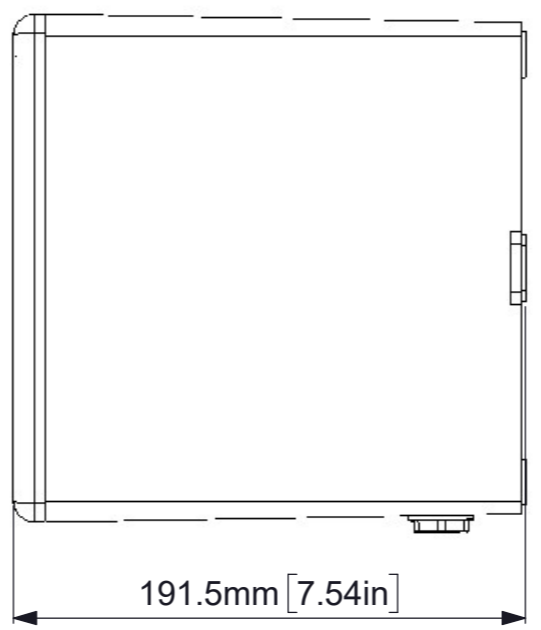
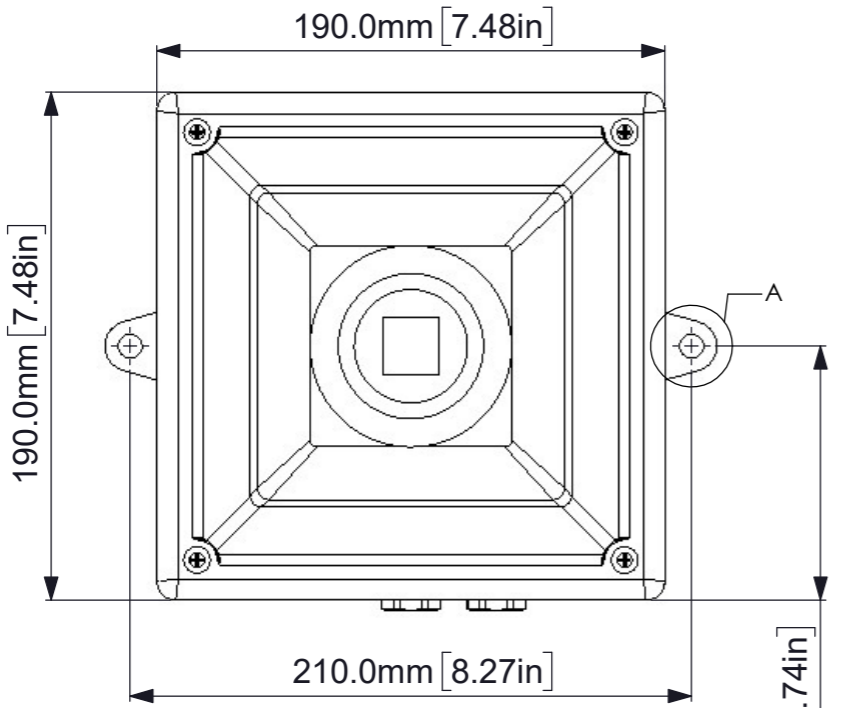
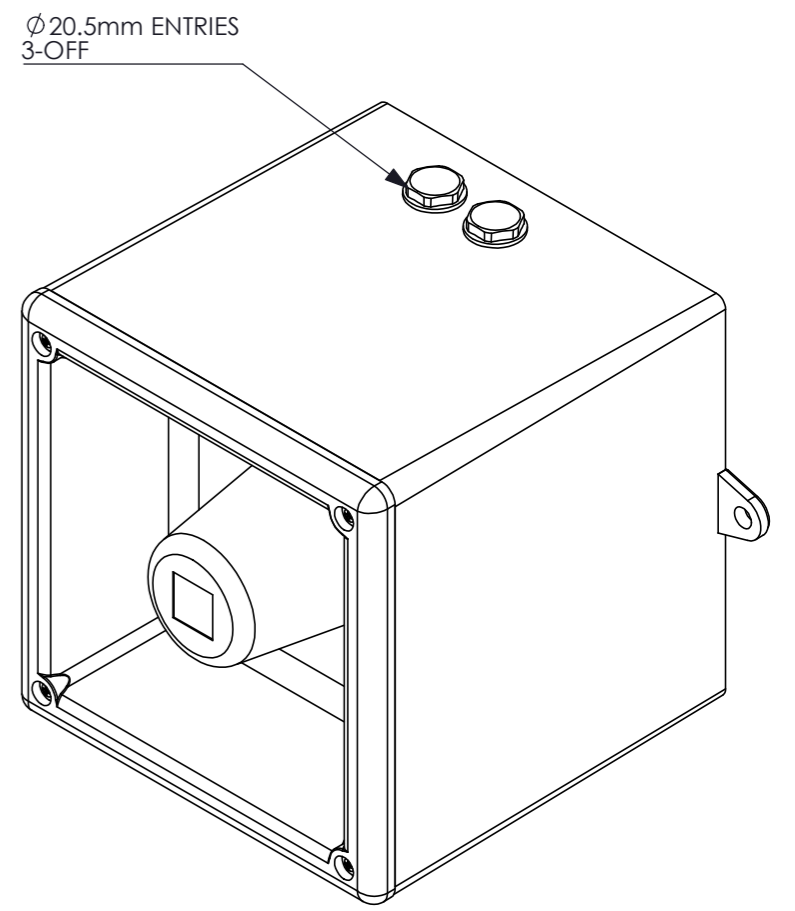
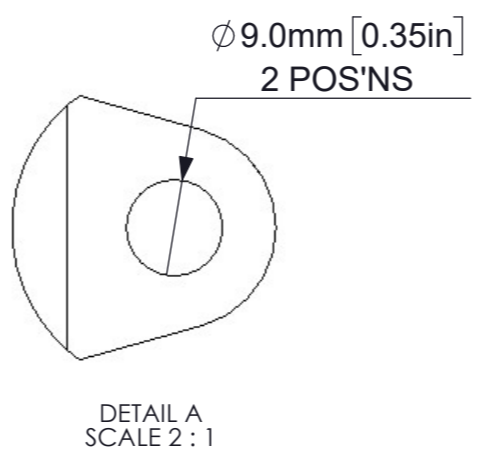
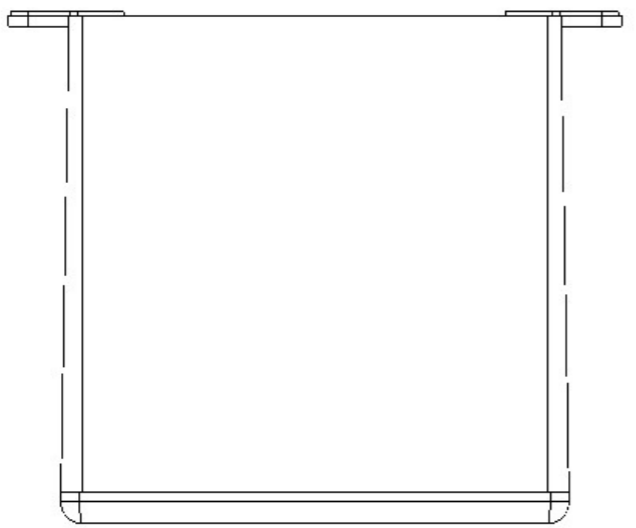


ISSUE	MOD No.	REASON - INITIAL - DATE
1		INTRODUCTION - RSR - 16/03/2021



E2S PART NO.	DESCRIPTION	DATA REFERENCE
A121...	A121 SOUNDER	2.21.090

DRAWING TO BS8888:2000
GEOMETRIC TOLERANCES TO ISO1101:1983
LINEAR DIMENSIONAL TOLS
ANGULAR DIMENSIONAL TOLS

STANDARDS
ALERTALARM

DRAWN	R.S. RAIT	DATE	16/03/2021
CHECKED	B. ISARD	DATE	16/03/2021
APPROVED	R.N. POTTS	DATE	16/03/2021

SURFACE FINISH	FINISH
WEIGHT (kg)	
MATERIAL	
ALTERNATIVE MATERIAL	

THIS DRAWING AND ANY INFORMATION OR DESCRIPTIVE MATTER THEREIN IS COMMUNICATED IN CONFIDENCE AND IS THE COPYRIGHT PROPERTY OF EUROPEAN SAFETY SYSTEMS LTD. NEITHER THE WHOLE OR ANY EXTRACT MAY BE DISCLOSED, LOANED, COPIED OR USED FOR MANUFACTURING OR TENDERING PURPOSES WITHOUT THEIR WRITTEN CONSENT.

© EUROPEAN SAFETY SYSTEMS LTD.
AS PER LATEST DATE OF ISSUE SHOWN ABOVE

e2s
warning signals

EUROPEAN SAFETY SYSTEMS LTD
IMPRESS HOUSE
MANSELL ROAD
ACTON
LONDON W3 7QH
WWW.E2S.COM

ALL DIMENSIONS IN MM IF IN DOUBT, ASK - DO NOT SCALE				A2
TITLE A121 SOUNDER				
SCALE	SHEET	DRAWING NUMBER		
1:2	1 OF 1	D221-05-051		