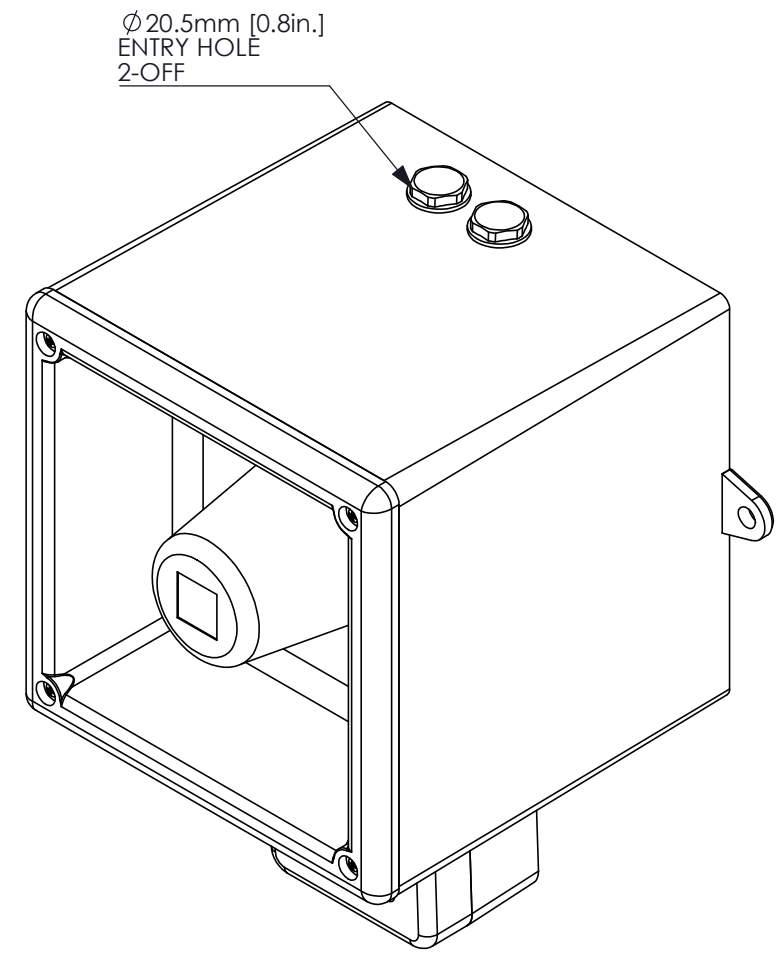
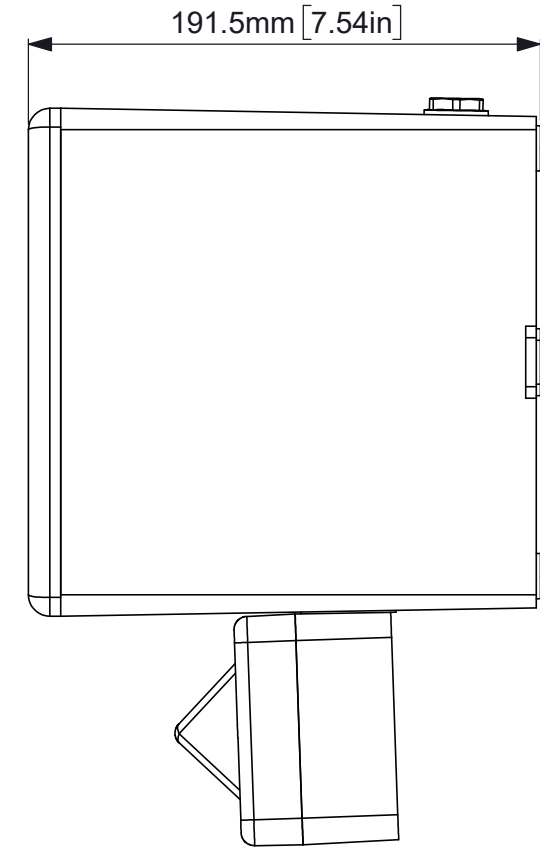
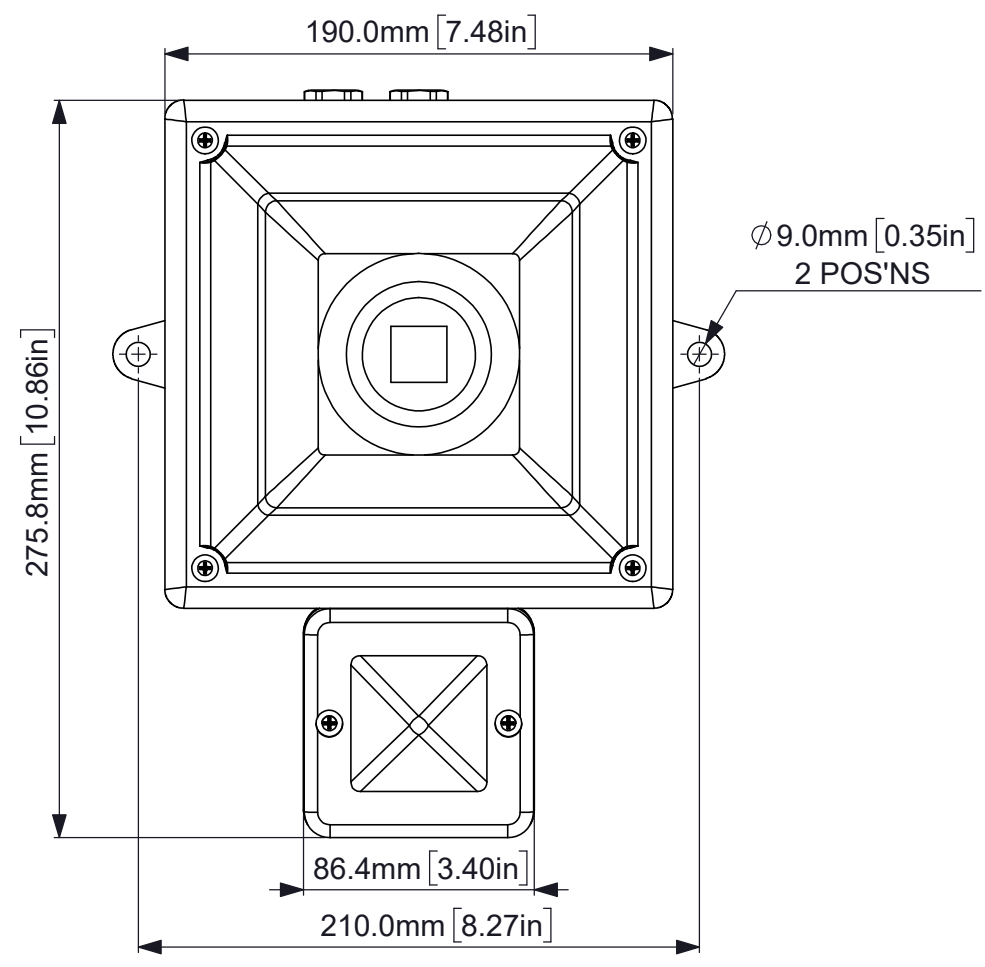
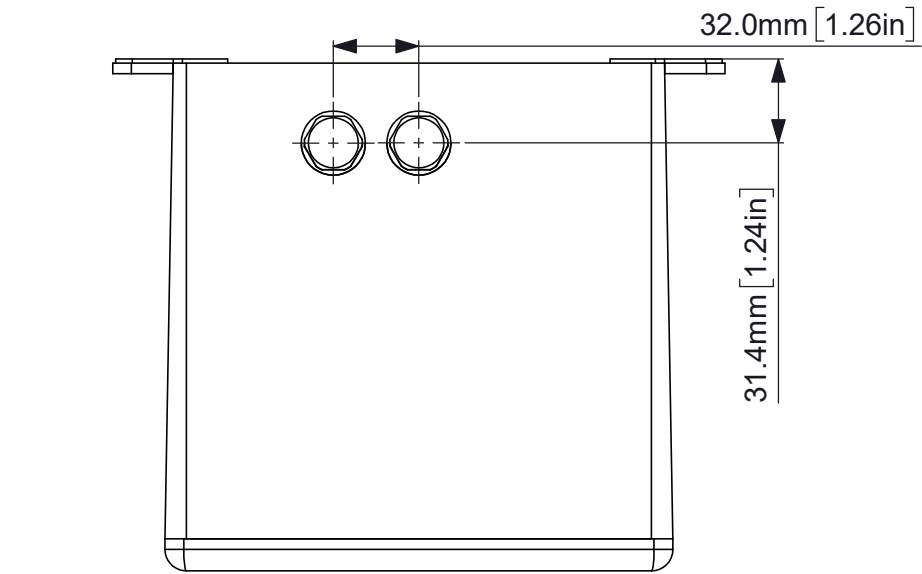
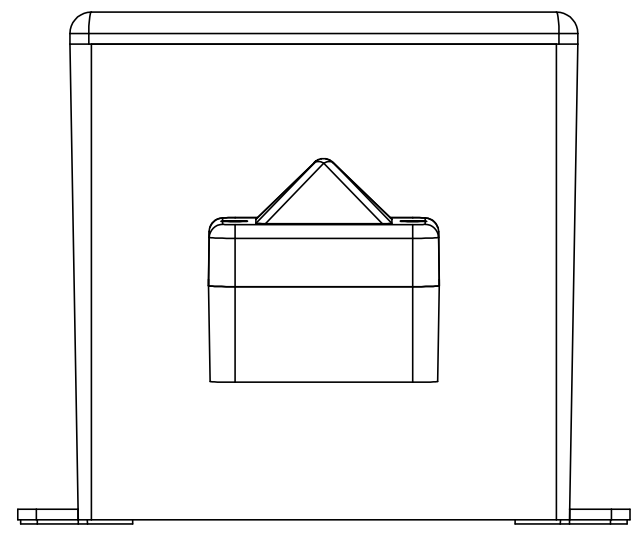


ISSUE	MOD No.	REASON - INITIAL - DATE
1		INTRODUCTION - RSR - 16/03/2021



E2S PART NO.	DESCRIPTION	DATA REFERENCE
AL121X...	AL121X COMBINED SOUNDER XENON	2.31.230
AL121H...	AL121H COMBINED SOUNDER LED	2.31.240



DRAWING TO BS8888:2000 GEOMETRIC TOLERANCES TO ISO1101:1983 LINEAR DIMENSIONAL TOLS ANGULAR DIMENSIONAL TOLS	DRAWN	DATE	SURFACE FINISH FINISH	WEIGHT (Kg)	THIS DRAWING AND ANY INFORMATION OR DESCRIPTIVE MATTER THEREIN IS COMMUNICATED IN CONFIDENCE AND IS THE COPYRIGHT PROPERTY OF EUROPEAN SAFETY SYSTEMS LTD. NEITHER THE WHOLE OR ANY EXTRACT MAY BE DISCLOSED, LOANED, COPIED OR USED FOR MANUFACTURING OR TENDERING PURPOSES WITHOUT THEIR WRITTEN CONSENT.	 EUROPEAN SAFETY SYSTEMS LTD IMPRESS HOUSE MANSELL ROAD ACTON LONDON W3 7QH WWW.E2S.COM	ALL DIMENSIONS IN MM IF IN DOUBT, ASK - DO NOT SCALE		A2
	CHECKED	DATE							
STANDARDS ALERTALARM	APPROVED	DATE	ALTERNATIVE MATERIAL		EUROPEAN SAFETY SYSTEMS LTD. AS PER LATEST DATE OF ISSUE SHOWN ABOVE	TITLE AL121 COMBINED SOUNDER BEACON	SCALE	SHEET	DRAWING NUMBER
	R.S. RAIT	16/03/2021							
B. ISARD	16/03/2021								
R.N. POTTS	16/03/2021								