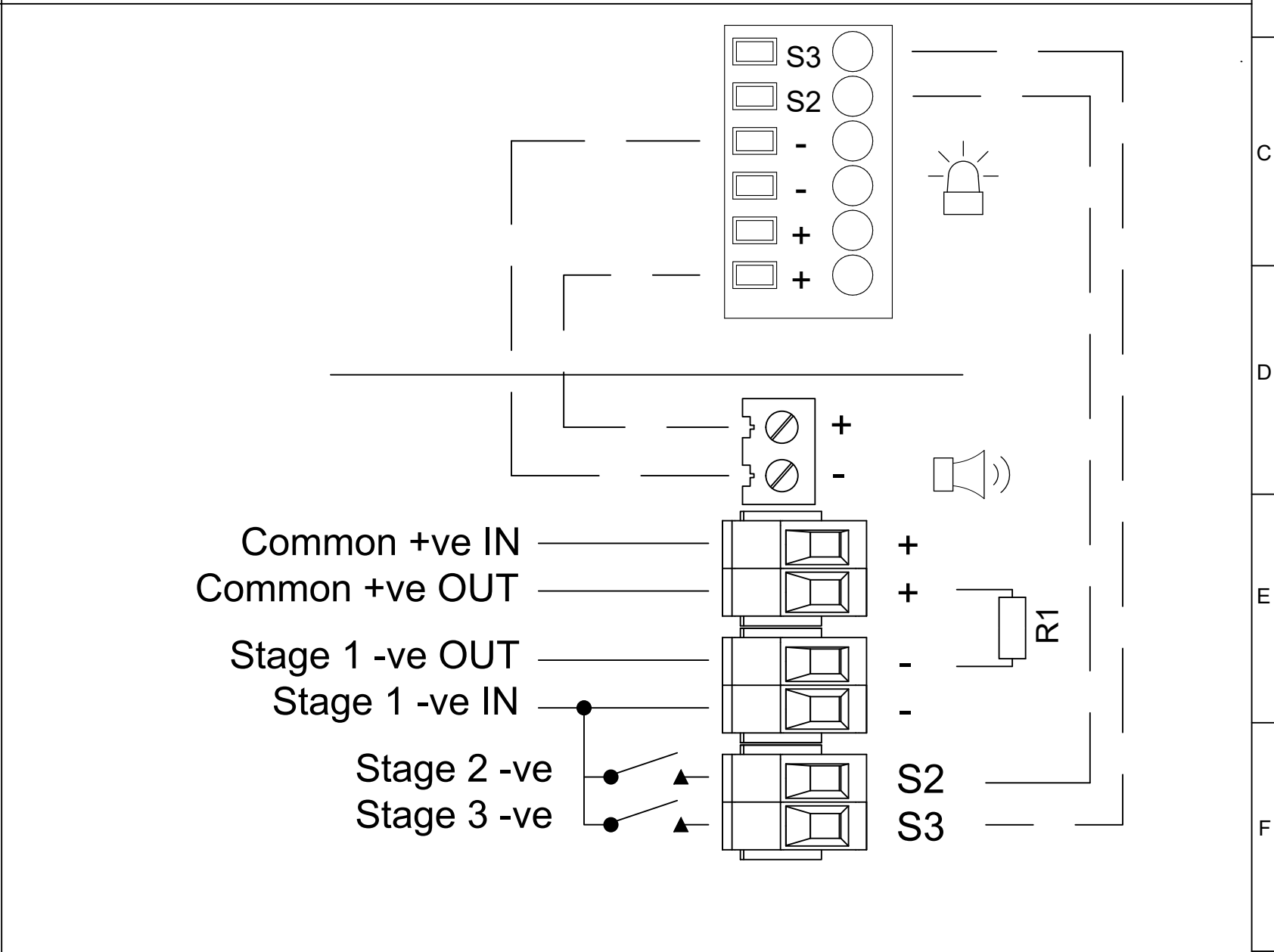
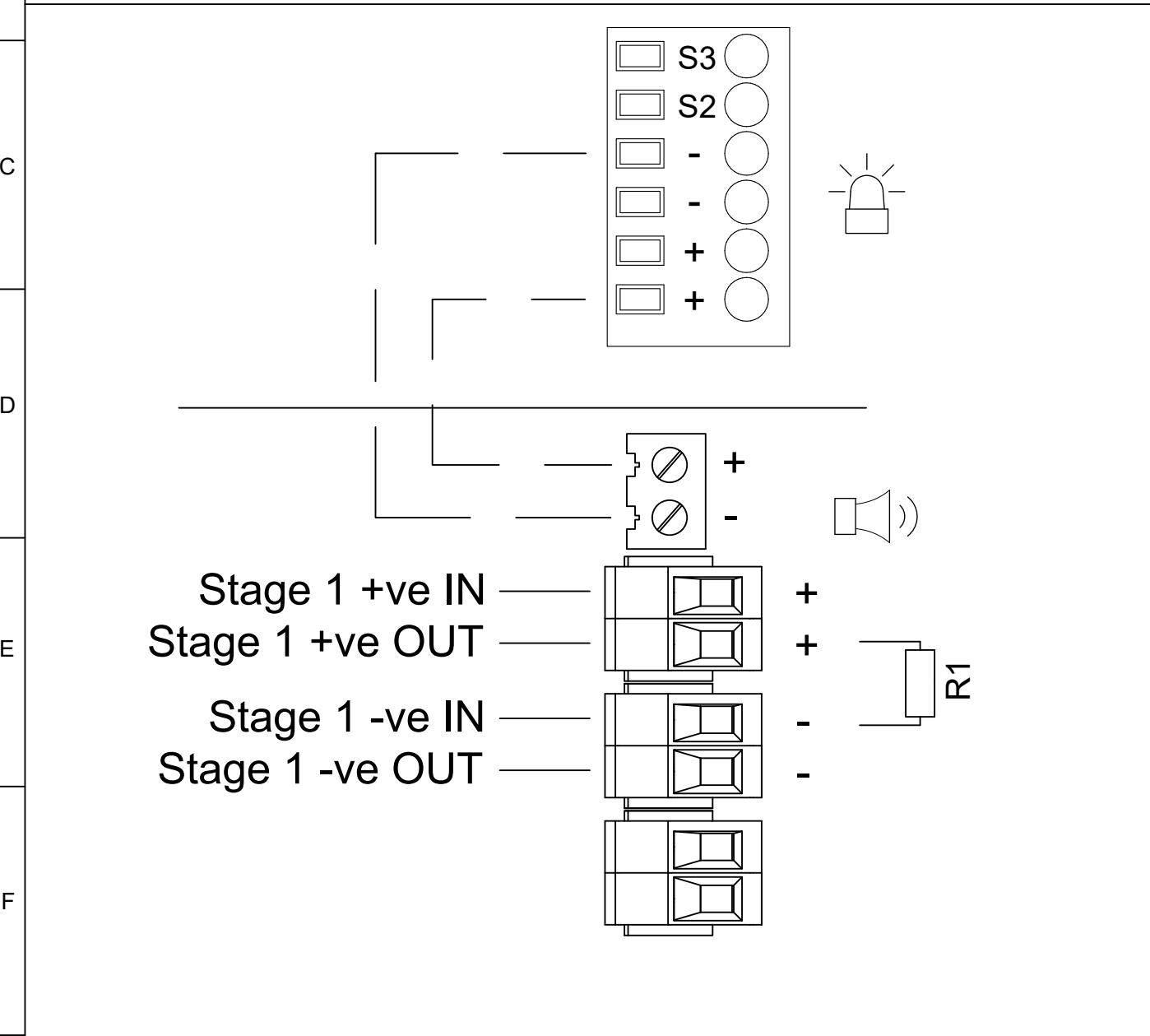


1	2	3	4	5	6	7	8	9	10										
<div style="border: 1px solid black; padding: 5px; display: inline-block;"> WIRING LINKING BEACON & SOUNDER FACTORY FITTED </div>							<div style="border: 1px solid black; padding: 5px; display: inline-block;"> OPTIONAL LINE MONITORING RESISTOR, CUSTOMER SUPPLIED, RECOMMENDED MINIMUM VALUES: 14V MAX SYSTEM = 120Ω MIN, 2W MIN OR 1KΩ MIN, 0.5W MIN 28V MAX SYSTEM = 470Ω MIN, 2W MIN OR 2.4KΩ MIN, 0.5W MIN </div>		<div style="border: 1px solid black; padding: 5px; display: inline-block;"> SWITCHES FOR STAGE OPERATION CUSTOMER SUPPLIED </div>	<table border="1" style="width:100%; border-collapse: collapse;"> <tr> <th style="width: 10%;">ISSUE</th> <th style="width: 10%;">MOD No.</th> <th style="width: 80%;">REASON - INITIAL - DATE</th> </tr> <tr> <td style="text-align: center;">A</td> <td></td> <td>INTRODUCTION RSR - 05/03/2021</td> </tr> <tr> <td style="text-align: center;">B</td> <td></td> <td>CONFIGS. 1b & 2b AMENDED RSR - 19/05/2021</td> </tr> </table>	ISSUE	MOD No.	REASON - INITIAL - DATE	A		INTRODUCTION RSR - 05/03/2021	B		CONFIGS. 1b & 2b AMENDED RSR - 19/05/2021
ISSUE	MOD No.	REASON - INITIAL - DATE																	
A		INTRODUCTION RSR - 05/03/2021																	
B		CONFIGS. 1b & 2b AMENDED RSR - 19/05/2021																	

Linked Sounder & Beacon Activation (Default)

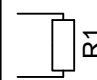
Single Stage Configuration	Config.: 1a	Two/Three Stage Voltage Free Activation Configuration	Config.: 1b
Line Monitoring		Line Monitoring, Common Positive	
Stage 1: Apply Power to Stage 1 +ve & Stage 1 -ve		Stage 1: Apply Power to Common +ve & Stage 1 -ve Stage 2: Apply Power to Common +ve & Stage 1 -ve & connect Stage 2 -ve to Stage 1 -ve Stage 3: Apply Power to Common +ve & Stage 1 -ve & connect Stage 3 -ve to Stage 1 -ve	



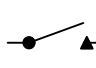
DRAWING TO BS8888:2000 GEOMETRIC TOLERANCES TO ISO1101:1983 LINEAR DIMENSIONAL TOLS ANGULAR DIMENSIONAL TOLS	DRAWN R.S.RAIT	DATE 05/03/2021	SURFACE FINISH 	WEIGHT (Kg) 	THIS DRAWING AND ANY INFORMATION OR DESCRIPTIVE MATTER THEREIN IS COMMUNICATED IN CONFIDENCE AND IS THE COPYRIGHT PROPERTY OF EUROPEAN SAFETY SYSTEMS LTD. NEITHER THE WHOLE OR ANY EXTRACT MAY BE DISCLOSED, LOANED, COPIED OR USED FOR MANUFACTURING OR TENDERING PURPOSES WITHOUT THEIR WRITTEN CONSENT. EUROPEAN SAFETY SYSTEMS LTD. AS PER LATEST DATE OF ISSUE SHOWN ABOVE	 warning signals EUROPEAN SAFETY SYSTEMS LTD IMPRESS HOUSE MANSSELL ROAD ACTON LONDON W3 7QH WWW.E2S.COM	ALL DIMENSIONS IN MM IF IN DOUBT, ASK - DO NOT SCALE		A3		
	CHECKED R.N.POTTS	DATE 05/03/2021	MATERIAL 	ALTERNATIVE MATERIAL 			TITLE MC1LD2 DC COMBINED SOUNDER XENON BEACON WIRING DIAGRAMS				
	STANDARDS M RANGE	APPROVED R.N.POTTS	DATE 05/03/2021				SCALE NTS	SHEET 1 OF 2	DRAWING NUMBER D207-06-511		

1	2	3	4	5	6	7	8	9	10
							ISSUE	MOD No.	REASON - INITIAL - DATE
							A		INTRODUCTION RSR - 05/03/2021
							B		CONFIGS. 1b & 2b AMENDED RSR - 19/05/2021

OPTIONAL LINE MONITORING RESISTOR, CUSTOMER SUPPLIED,
RECOMMENDED MINIMUM VALUES:
14V MAX SYSTEM = 120Ω MIN, 2W MIN OR 1KΩ MIN, 0.5W MIN
28V MAX SYSTEM = 470Ω MIN, 2W MIN OR 2.4KΩ MIN, 0.5W MIN

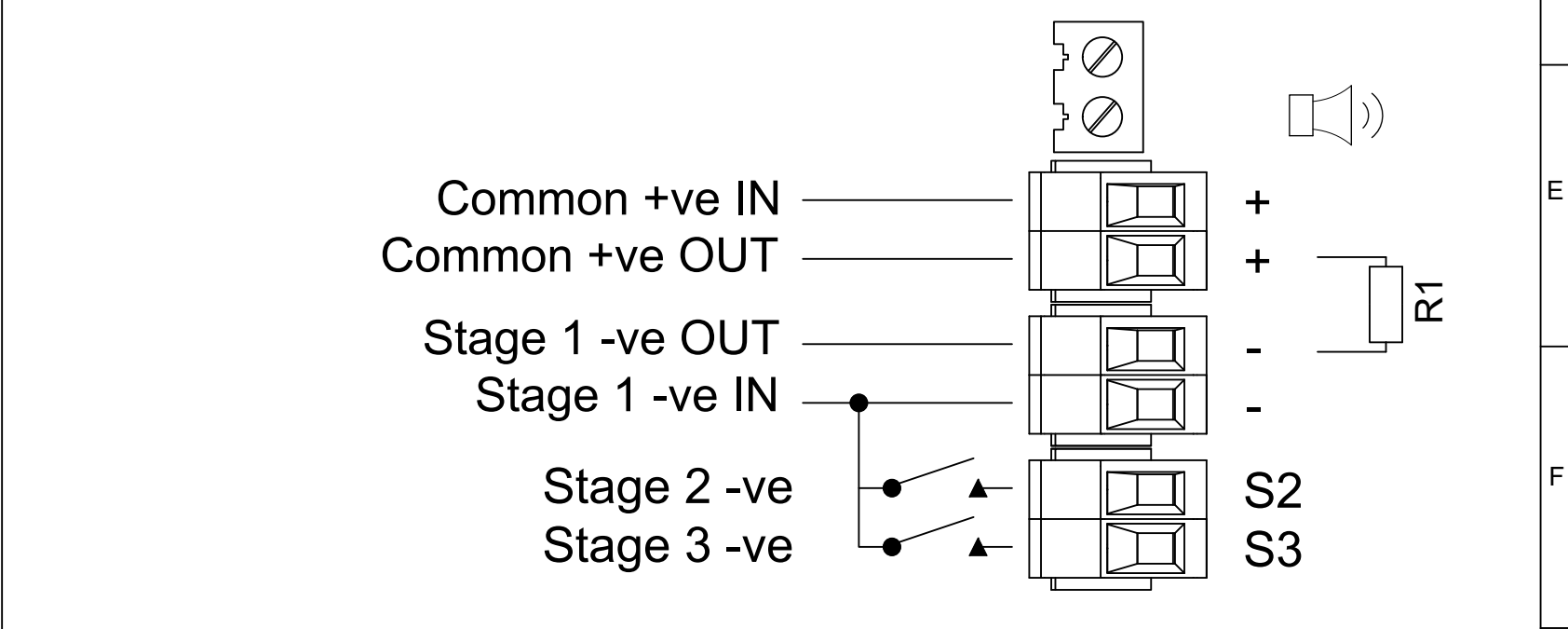
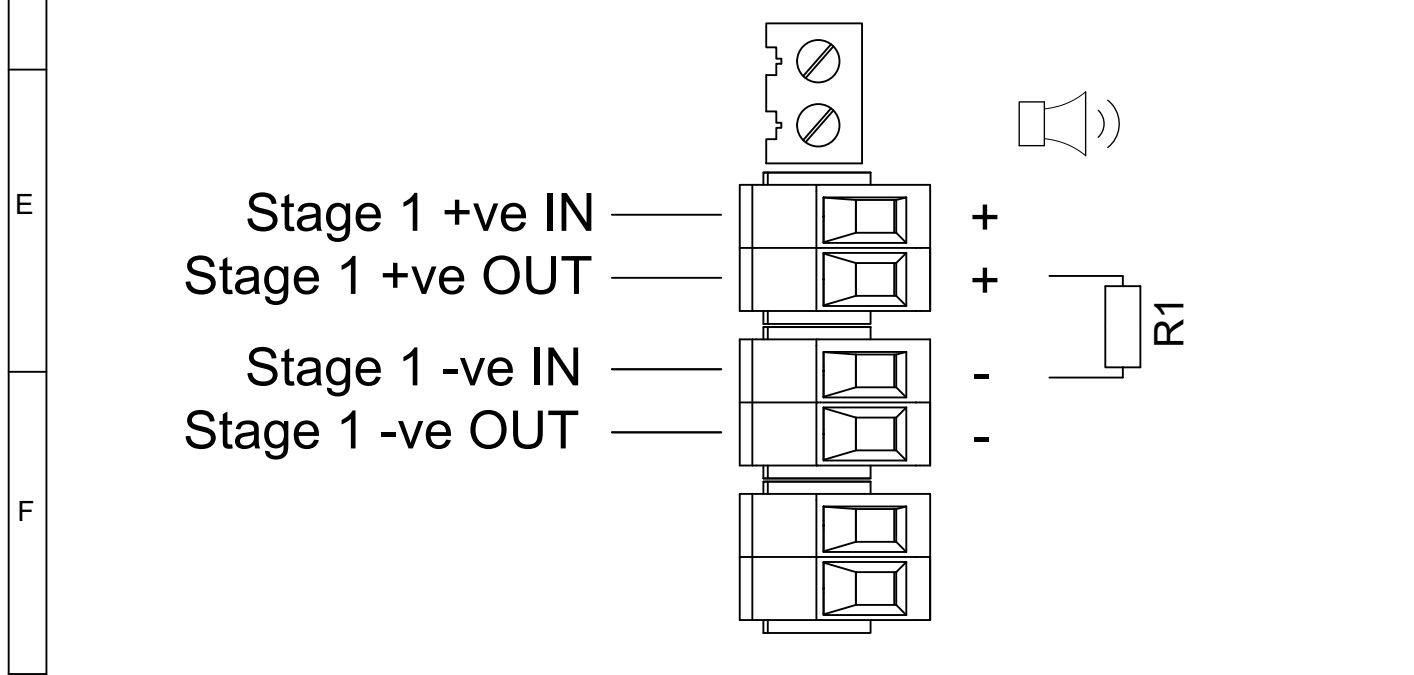
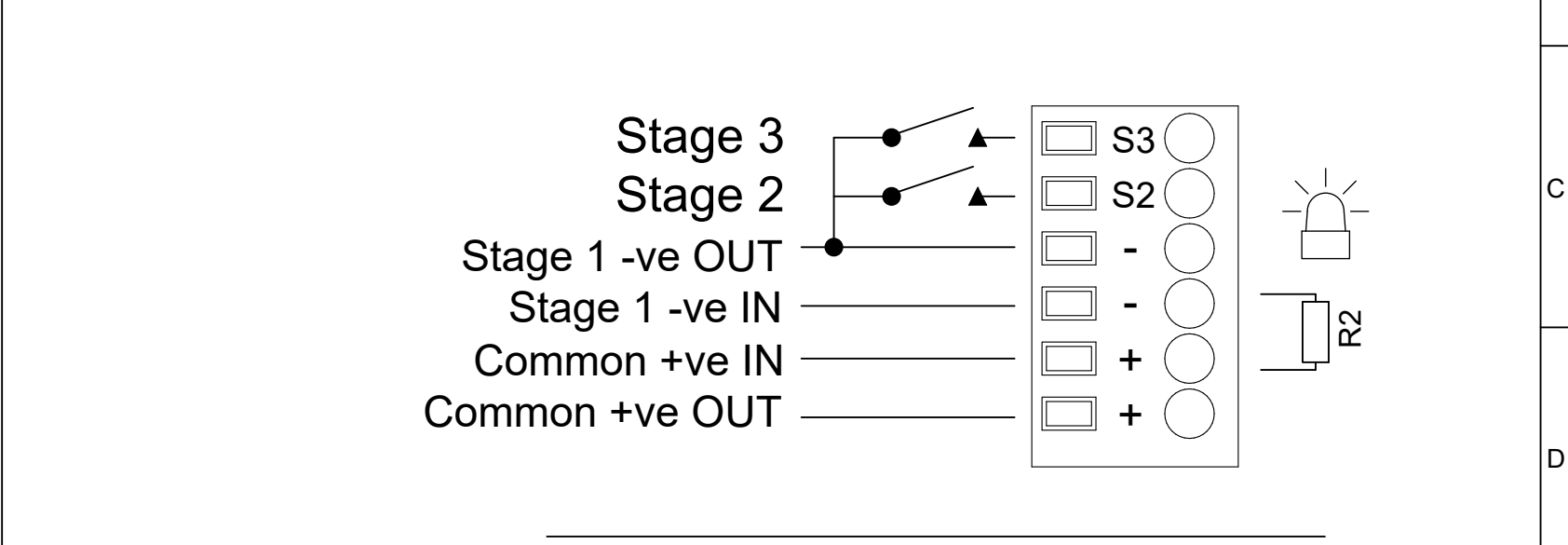
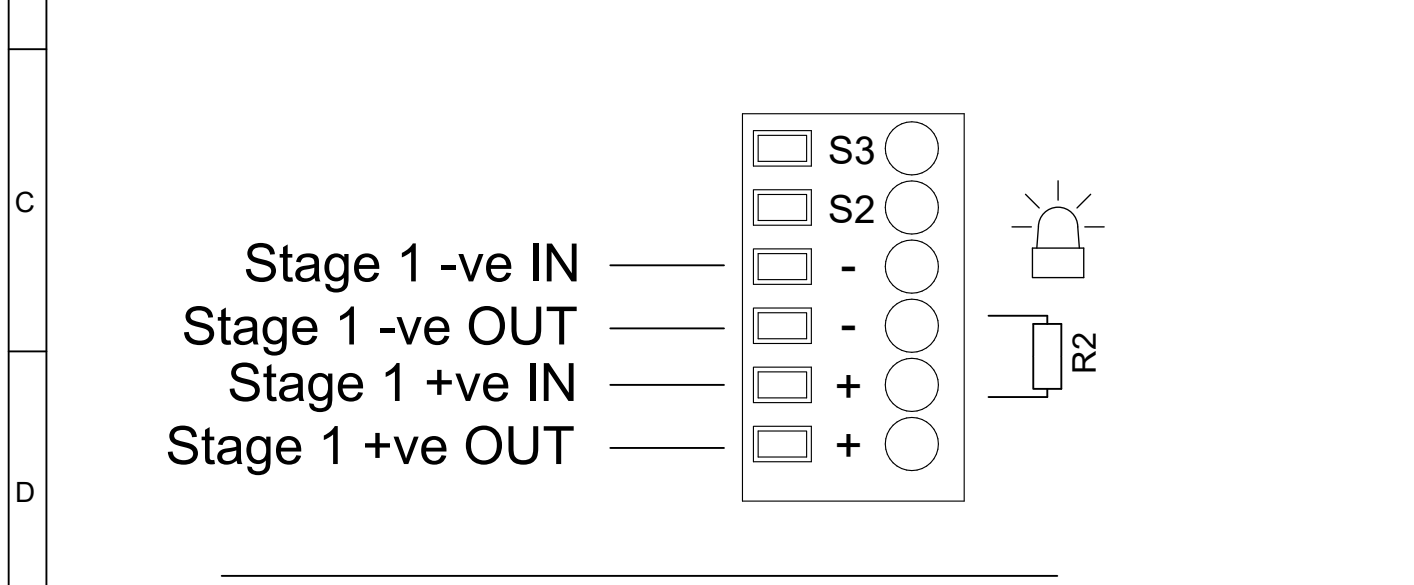



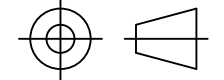
SWITCHES FOR STAGE OPERATION
CUSTOMER SUPPLIED



Independent Sounder & Beacon Activation (Remove Link Wires)

Single Stage Configuration	Config.: 2a	Two/Three Stage Voltage Free Activation Configuration	Config.: 2b
Line Monitoring		Line Monitoring, Common Positive	
Stage 1: Apply Power to Stage 1 +ve & Stage 1 -ve		Stage 1: Apply Power to Common +ve & Stage 1 -ve Stage 2: Apply Power to Common +ve & Stage 1 -ve & connect Stage 2 -ve to Stage 1 -ve Stage 3: Apply Power to Common +ve & Stage 1 -ve & connect Stage 3 -ve to Stage 1 -ve	



DRAWING TO BS8888:2000 GEOMETRIC TOLERANCES TO ISO1101:1983 LINEAR DIMENSIONAL TOLS ANGULAR DIMENSIONAL TOLS	DRAWN	DATE	SURFACE FINISH	WEIGHT (Kg)	THIS DRAWING AND ANY INFORMATION OR DESCRIPTIVE MATTER THEREIN IS COMMUNICATED IN CONFIDENCE AND IS THE COPYRIGHT PROPERTY OF EUROPEAN SAFETY SYSTEMS LTD. NEITHER THE WHOLE OR ANY EXTRACT MAY BE DISCLOSED, LOANED, COPIED OR USED FOR MANUFACTURING OR TENDERING PURPOSES WITHOUT THEIR WRITTEN CONSENT.	 EUROPEAN SAFETY SYSTEMS LTD IMPRESS HOUSE MANSELL ROAD ACTON LONDON W3 7QH WWW.E2S.COM	ALL DIMENSIONS IN MM IF IN DOUBT, ASK - DO NOT SCALE		A3	
	CHECKED	DATE	MATERIAL				TITLE MC1LD2 DC COMBINED SOUNDER XENON BEACON WIRING DIAGRAMS	SCALE	SHEET	DRAWING NUMBER
	STANDARDS	DATE	ALTERNATIVE MATERIAL				NTS	2 OF 2	D207-06-511	
M RANGE	APPROVED	DATE			©					