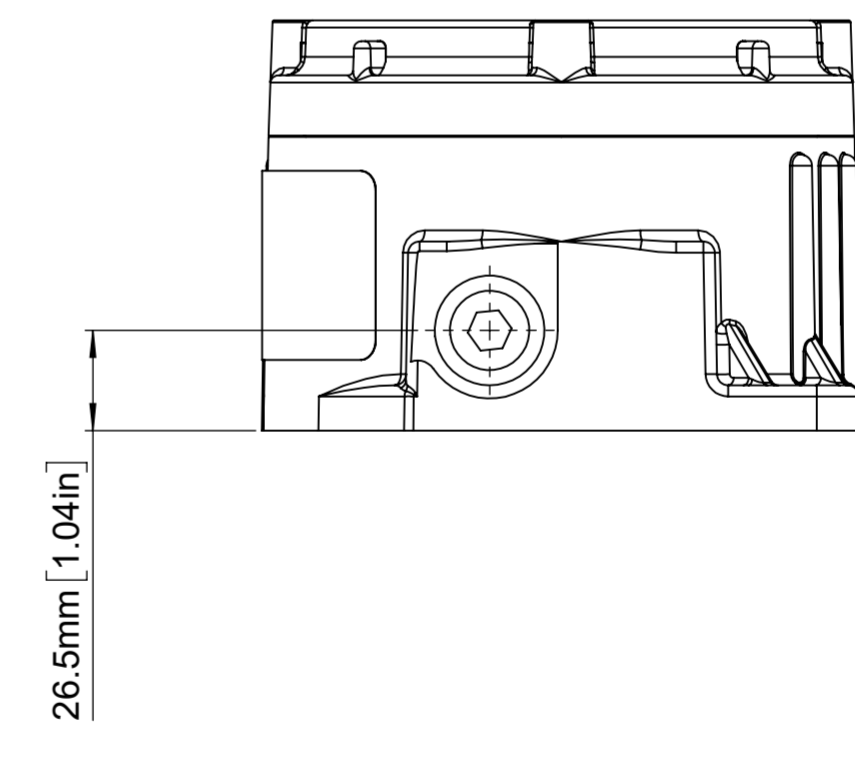
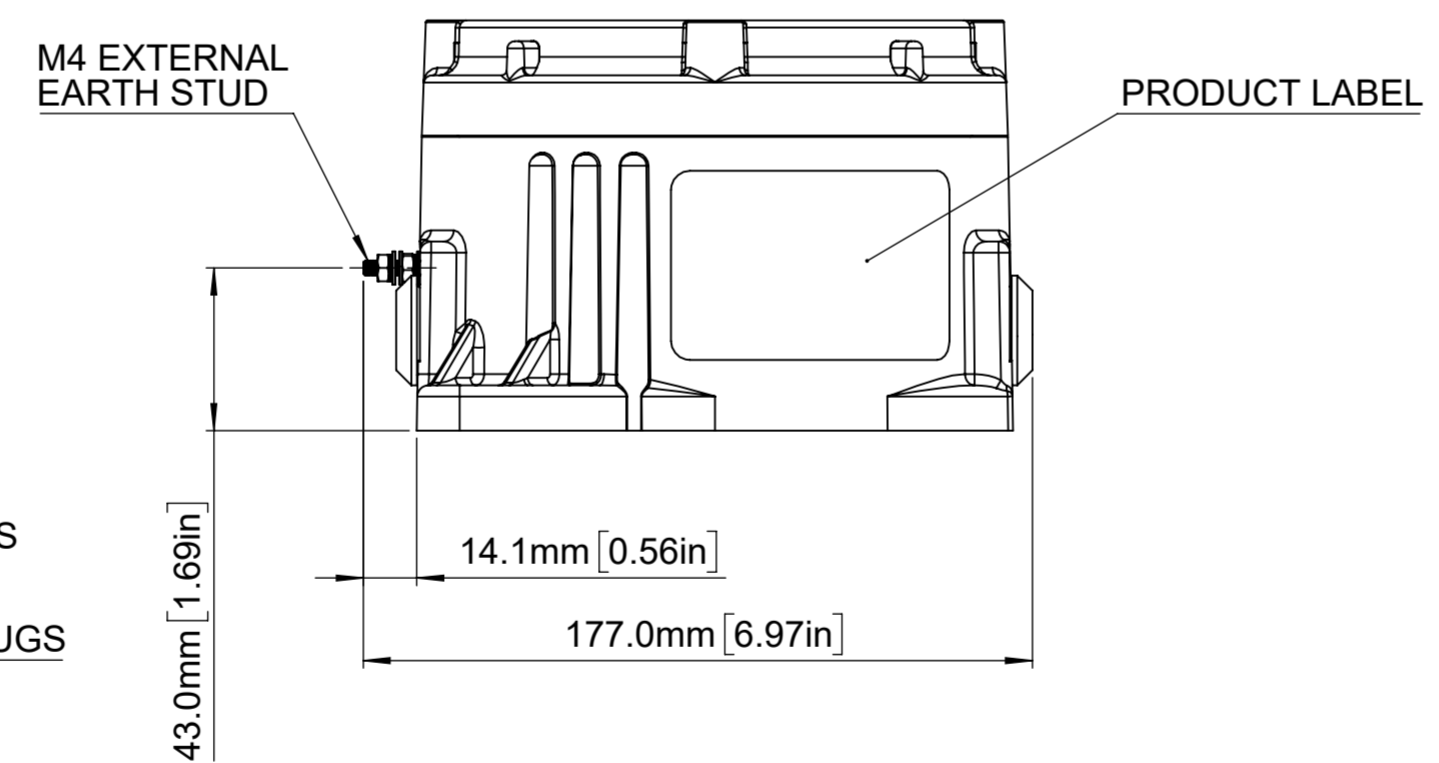
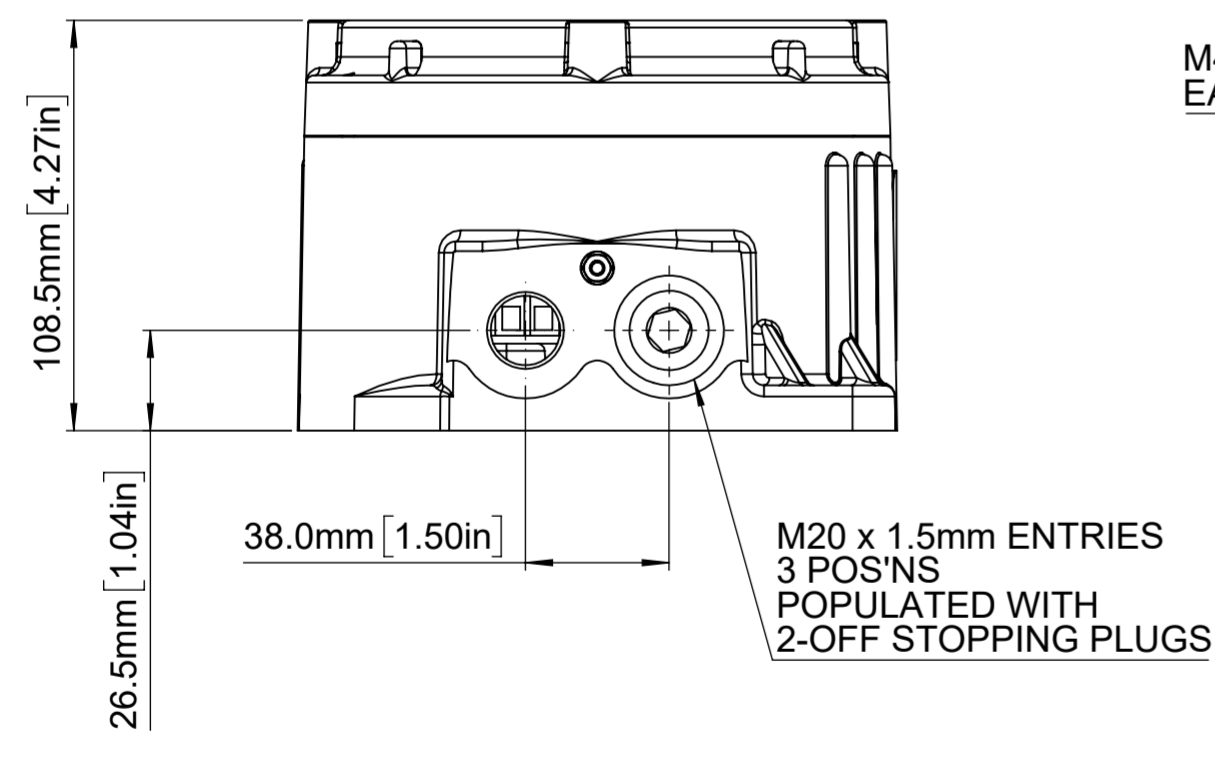
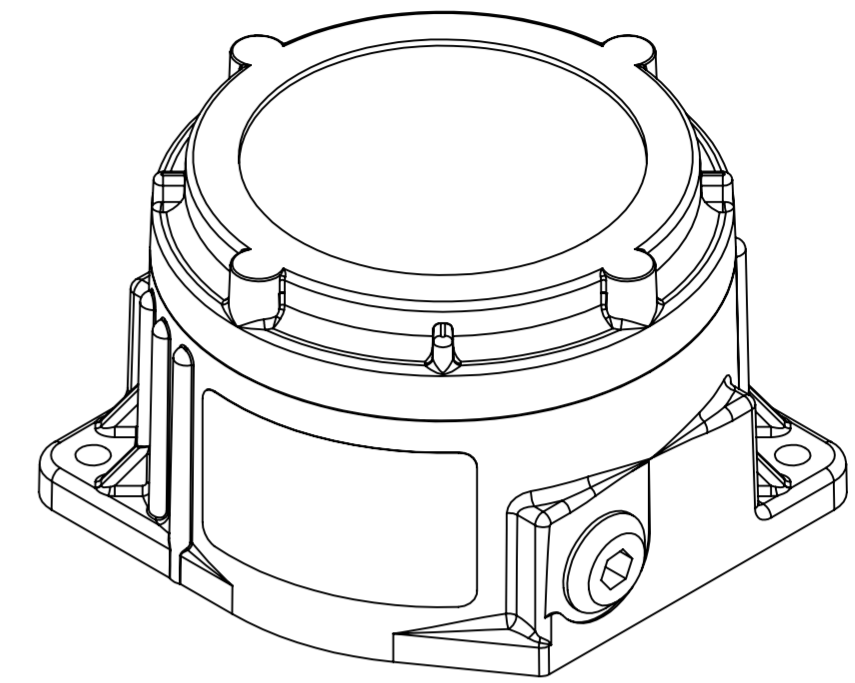
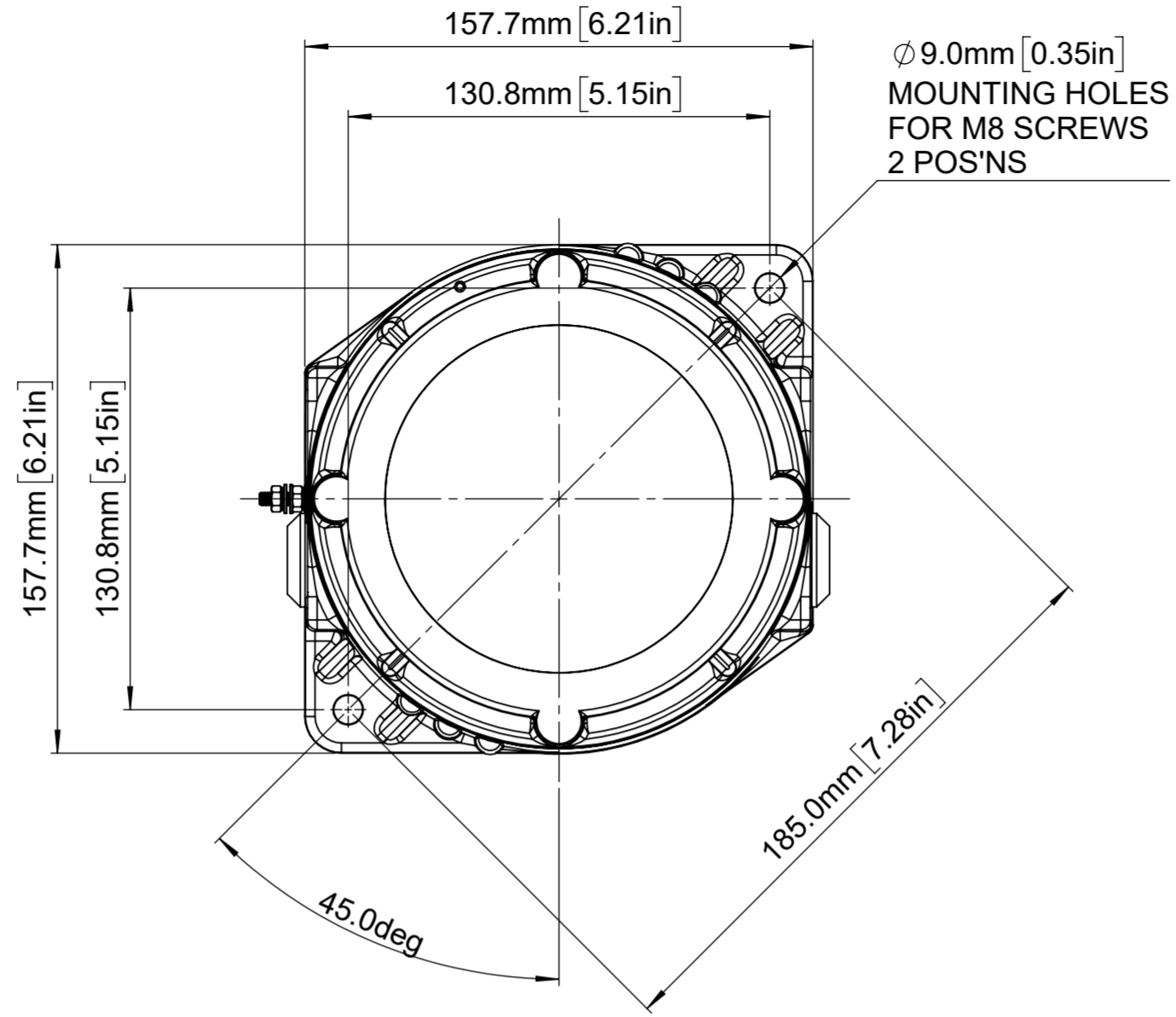


ISSUE	MOD No.	REASON - INITIAL - DATE
1		INTRODUCTION MA 08-12-2021



E2S PART NO.	DESCRIPTION	DATA REFERENCE
GNeXJ2	GNeXJ2 JUNCTION BOX	1-25-010

DRAWING TO BS8888:2000 GEOMETRIC TOLERANCES TO ISO1101:1983 LINEAR DIMENSIONAL TOLS ANGULAR DIMENSIONAL TOLS	DRAWN M.ABALOS	DATE 08-12-2021	SURFACE FINISH	WEIGHT (kg)	THIS DRAWING AND ANY INFORMATION OR DESCRIPTIVE MATTER THEREIN IS COMMUNICATED IN CONFIDENCE AND IS THE COPYRIGHT PROPERTY OF EUROPEAN SAFETY SYSTEMS LTD. NEITHER THE WHOLE OR ANY EXTRACT MAY BE DISCLOSED, LOANED, COPIED OR USED FOR MANUFACTURING OR TENDERING PURPOSES WITHOUT THEIR WRITTEN CONSENT.	 EUROPEAN SAFETY SYSTEMS LTD IMPRESS HOUSE MANSELL ROAD ACTON LONDON W3 7QH WWW.E2S.COM	ALL DIMENSIONS IN MM IF IN DOUBT, ASK - DO NOT SCALE		A2	
	CHECKED R.N.POTTS	DATE 08-12-2021								MATERIAL
	APPROVED R.N.POTTS	DATE 08-12-2021								ALTERNATIVE MATERIAL
STANDARDS GNeXJ2					EUROPEAN SAFETY SYSTEMS LTD. AS PER LATEST DATE OF ISSUE SHOWN ABOVE		TITLE GNeXJ2 JUNCTION BOX - OUTLINE DRAWING	SCALE 1:2	SHEET 1 OF 1	DRAWING NUMBER D156-05-501