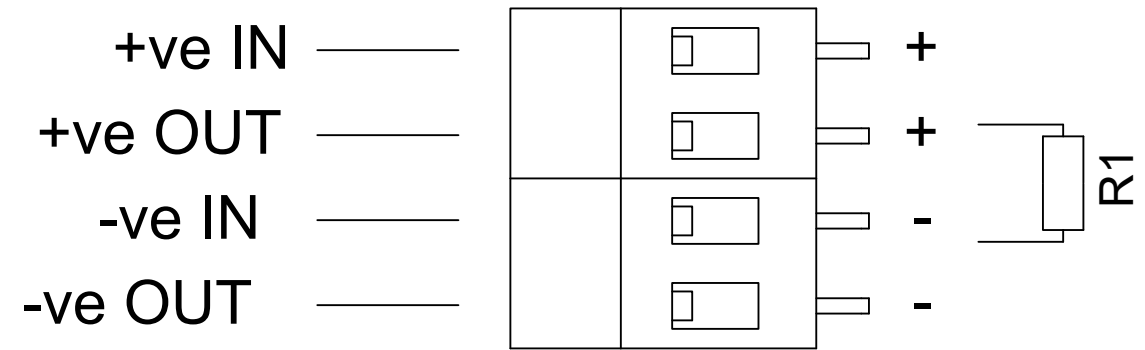
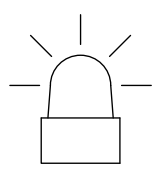


1	2	3	4	5	6	7	8	9	10
							ISSUE	MOD No.	REASON - INITIAL - DATE
							A		INTRODUCTION J.S - 14/11/19
							B		RE-DRAWN IN 2D NOTES, TERMINALS & EOL RESISTOR ADDED DAH 17/12/19
							C		NEW PCBA & FORMAT INTRODUCED J.S - 22/03/21

DC XENON GNExB2 X05, X10, X15 & 21J UNITS
Line Monitoring
Power: +ve & -ve

OPTIONAL LINE MONITORING RESISTOR, CUSTOMER SUPPLIED,
RECOMMENDED MINIMUM VALUES:
500Ω MIN, 2W MIN OR 3K3Ω MIN, 0.5W MIN

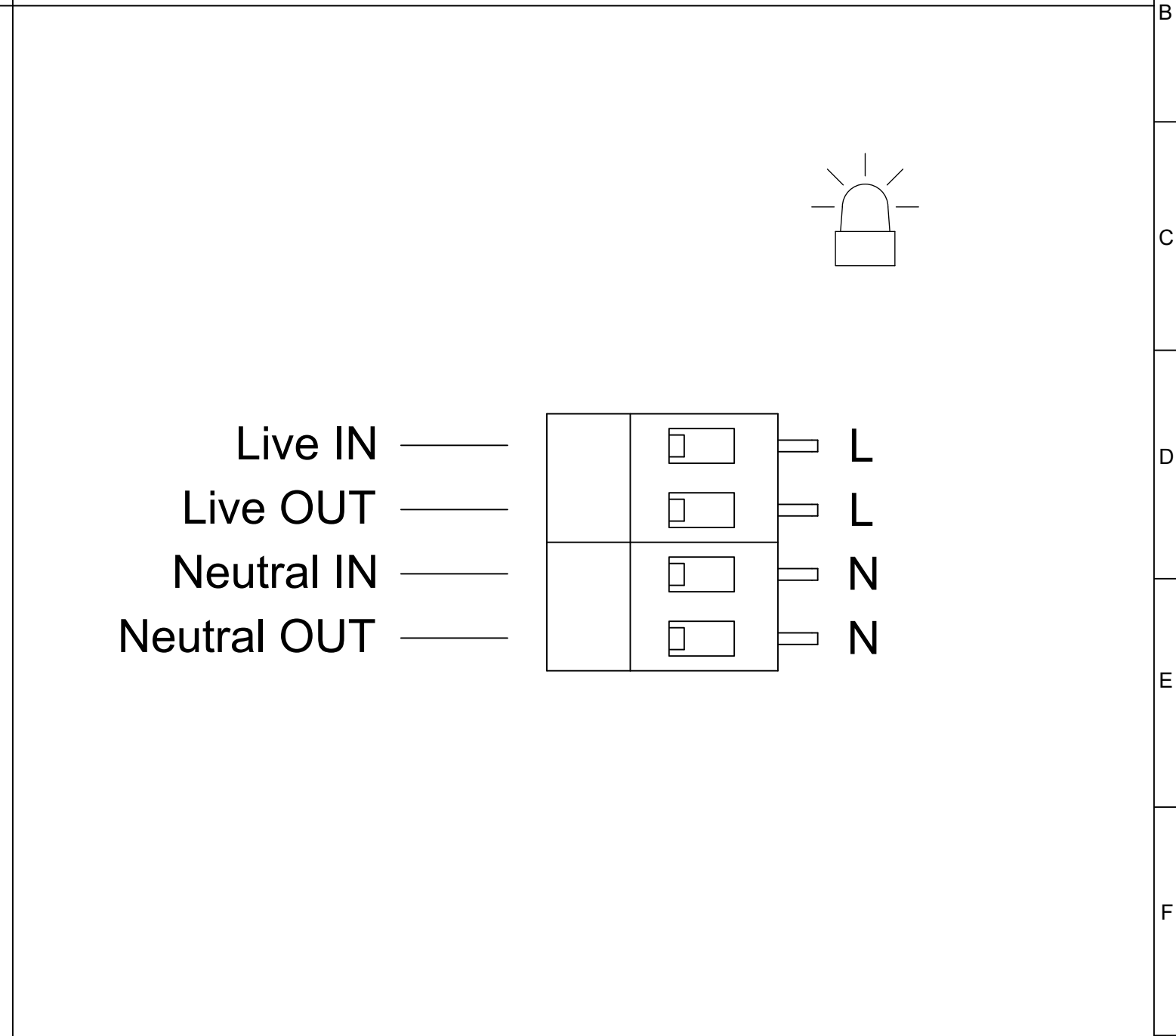
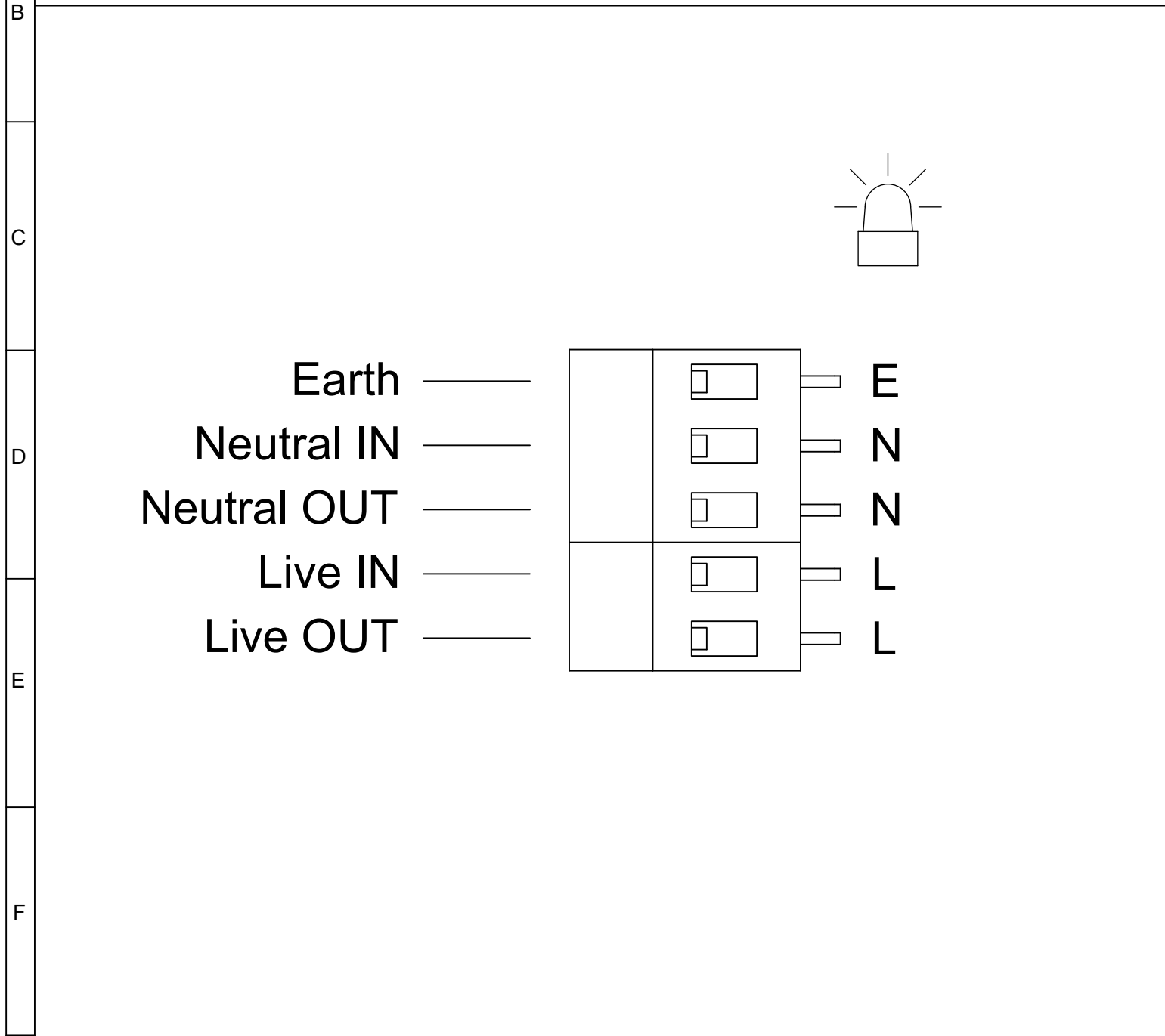


DRAWING TO BS8888:2000 GEOMETRIC TOLERANCES TO ISO1101:1983 LINEAR DIMENSIONAL TOLS ANGULAR DIMENSIONAL TOLS	DRAWN	DATE	SURFACE FINISH	WEIGHT (Kg)	<p>THIS DRAWING AND ANY INFORMATION OR DESCRIPTIVE MATTER THEREIN IS COMMUNICATED IN CONFIDENCE AND IS THE COPYRIGHT PROPERTY OF EUROPEAN SAFETY SYSTEMS LTD. NEITHER THE WHOLE OR ANY EXTRACT MAY BE DISCLOSED, LOANED, COPIED OR USED FOR MANUFACTURING OR TENDERING PURPOSES WITHOUT THEIR WRITTEN CONSENT.</p> <p>© EUROPEAN SAFETY SYSTEMS LTD. AS PER LATEST DATE OF ISSUE SHOWN ABOVE</p>		ALL DIMENSIONS IN MM			A3
	J.SPILLER	14/11/19					IF IN DOUBT, ASK - DO NOT SCALE			
	CHECKED	DATE	MATERIAL				TITLE GNExB2 X05/X10/X15/X21 BEACON WIRING DIAGRAMS			
	R.N.POTTS	14/11/19	ALTERNATIVE MATERIAL				SCALE	SHEET	DRAWING NUMBER	
STANDARDS	APPROVED	DATE				NTS	1 OF 2	D156-06-201		
GNExB2 BEACONS	R.N.POTTS	14/11/19								

1	2	3	4	5	6	7	8	9	10
							ISSUE	MOD No.	REASON - INITIAL - DATE
							A		INTRODUCTION J.S - 14/11/19
							B		RE-DRAWN IN 2D NOTES, TERMINALS & EOL RESISTOR ADDED DAH 17/12/19
							C		NEW PCBA & FORMAT INTRODUCED J.S - 22/03/21

AC XENON GNExB2 X05, X10 & X15 UNITS
Power: Live & Neutral

AC XENON GNExB2 X21 UNITS
Power: Live & Neutral



DRAWING TO BS8888:2000 GEOMETRIC TOLERANCES TO ISO1101:1983 LINEAR DIMENSIONAL TOLS ANGULAR DIMENSIONAL TOLS	DRAWN	DATE	SURFACE FINISH	WEIGHT (Kg)	THIS DRAWING AND ANY INFORMATION OR DESCRIPTIVE MATTER THEREIN IS COMMUNICATED IN CONFIDENCE AND IS THE COPYRIGHT PROPERTY OF EUROPEAN SAFETY SYSTEMS LTD. NEITHER THE WHOLE OR ANY EXTRACT MAY BE DISCLOSED, LOANED, COPIED OR USED FOR MANUFACTURING OR TENDERING PURPOSES WITHOUT THEIR WRITTEN CONSENT.	 EUROPEAN SAFETY SYSTEMS LTD IMPRESS HOUSE MANSELL ROAD ACTON LONDON W3 7QH WWW.E2S.COM	ALL DIMENSIONS IN MM IF IN DOUBT, ASK - DO NOT SCALE			A3
	J.SPILLER	14/11/19					MATERIAL			
	CHECKED	DATE	ALTERNATIVE MATERIAL				TITLE GNExB2 X05/X10/X15/X21 BEACON WIRING DIAGRAMS			
	R.N.POTTS	14/11/19					SCALE	SHEET	DRAWING NUMBER	
STANDARDS	APPROVED	DATE			NTS	2 OF 2	D156-06-201			
GNExB2 BEACONS	R.N.POTTS	14/11/19								