

ISSUE	MOD No.	REASON - INITIAL - DATE
1		INTRODUCTION RSR - 19/01/2021

--- WIRING LINKING BEACON & SOUNDER
FACTORY FITTED

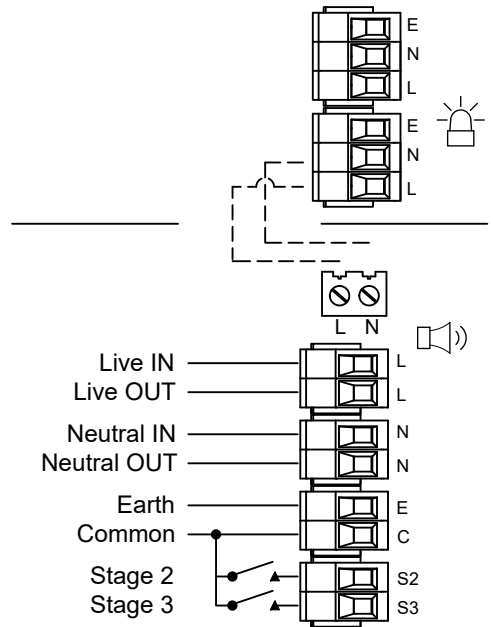
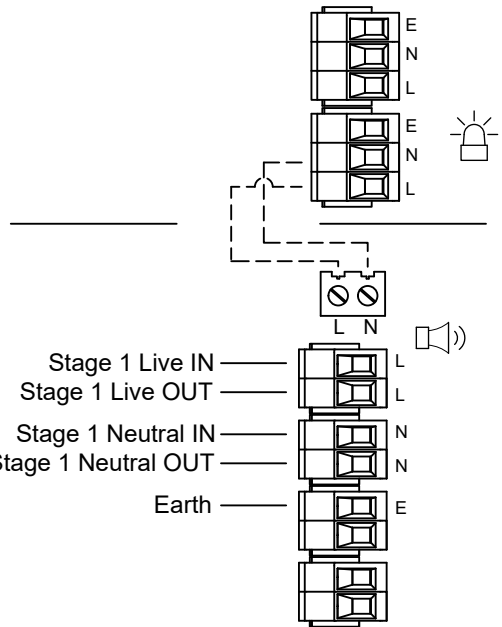
SWITCHES FOR STAGE OPERATION
CUSTOMER SUPPLIED

Linked Sounder & Beacon Activation (Default)

Single Stage Configuration Config.: 1a Three/Four Stage Configuration Config.: 1b

Stage 1: Apply Power to Stage 1 Live & Stage 1 Neutral

Stage 1: Apply Power to Live & Neutral
Stage 2: Apply Power to Live & Neutral & connect Stage 2 to Common
Stage 3: Apply Power to Live & Neutral & connect Stage 3 to Common



DRAWING TO BS8888:2000 GEOMETRIC TOLERANCES TO ISO1101:1983 LINEAR DIMENSIONAL TOLS ANGULAR DIMENSIONAL TOLS	DRAWN	R.S.RAIT	DATE	19/01/2022
	CHECKED	B.ISARD	DATE	19/01/2022
	APPROVED	R.N.POTTS	DATE	19/01/2022
STANDARDS	ALERTALARM RANGE			

SURFACE FINISH	WEIGHT (Kg)
MATERIAL	
ALTERNATIVE MATERIAL	

THIS DRAWING AND ANY INFORMATION OR DESCRIPTIVE MATTER THEREIN IS COMMUNICATED IN CONFIDENCE AND IS THE COPYRIGHT PROPERTY OF EUROPEAN SAFETY SYSTEMS LTD. NEITHER THE WHOLE OR ANY EXTRACT MAY BE DISCLOSED, LOANED, COPIED OR USED FOR MANUFACTURING OR TENDERING PURPOSES WITHOUT THEIR WRITTEN CONSENT.

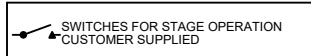
© EUROPEAN SAFETY SYSTEMS LTD.
AS PER LATEST DATE OF ISSUE SHOWN ABOVE

e2s warning signals

EUROPEAN SAFETY SYSTEMS LTD
IMPRESS HOUSE
MANSELL ROAD
LONDON W3 7QH
WWW.E2S.COM

ALL DIMENSIONS IN MM IF IN DOUBT, ASK - DO NOT SCALE			A3
TITLE D1xC1X / D1xC2X / STExC1X AC SOUNDER / XENON WIRING DIAGRAMS			
SCALE	SHEET	DRAWING NUMBER	
NTS	1 OF 2	D190-06-305	

ISSUE	MOD No.	REASON - INITIAL - DATE
1		INTRODUCTION RSR - 19/01/2021



Independent Sounder & Beacon Activation (Remove Link Wires)

Single Stage Configuration Config.: 2a

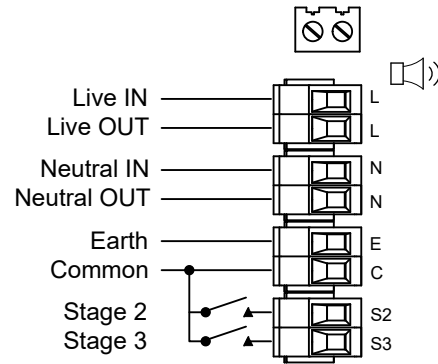
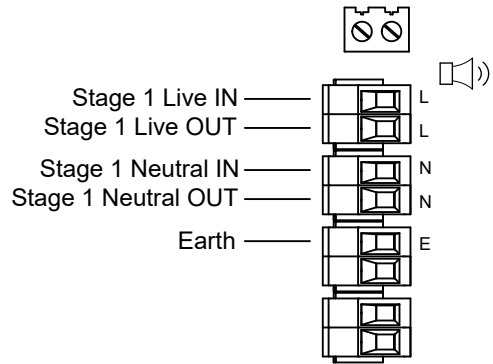
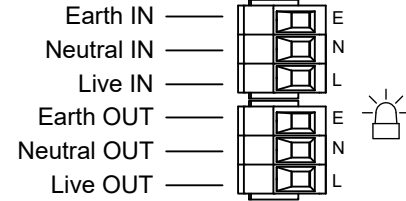
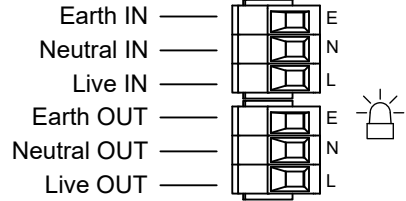
Stage 1: Apply Power to Stage 1 Live & Stage 1 Neutral

Three/Four Stage Configuration Config.: 2b

Stage 1: Apply Power to Live & Neutral

Stage 2: Apply Power to Live & Neutral & connect Stage 2 to Common

Stage 3: Apply Power to Live & Neutral & connect Stage 3 to Common



DRAWING TO BS8888:2000
GEOMETRIC TOLERANCES TO ISO1101:1983
LINEAR DIMENSIONAL TOLS
ANGULAR DIMENSIONAL TOLS

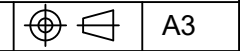
DRAWN R.S.RAIT
DATE 19/01/2022

SURFACE FINISH WEIGHT (Kg)
MATERIAL

THIS DRAWING AND ANY INFORMATION OR DESCRIPTIVE
MATTER THEREIN IS COMMUNICATED IN CONFIDENCE AND
IS THE COPYRIGHT PROPERTY OF EUROPEAN SAFETY
SYSTEMS LTD. NEITHER THE WHOLE OR ANY EXTRACT MAY
BE DISCLOSED, LOANED, COPIED OR USED FOR
MANUFACTURING OR TENDERING PURPOSES WITHOUT THEIR
WRITER CONSENT.



ALL DIMENSIONS IN MM
IF IN DOUBT, ASK -
DO NOT SCALE



STANDARDS
ALERTALARM RANGE

CHECKED B.ISARD
DATE 19/01/2022
APPROVED R.N.POTTS
DATE 19/01/2022

ALTERNATIVE MATERIAL

EUROPEAN SAFETY SYSTEMS LTD.
AS PER LATEST DATE OF ISSUE SHOWN ABOVE

TITLE D1xC1X / D1xC2X / STExC1X AC SOUNDER /
XENON WIRING DIAGRAMS

SCALE NTS
SHEET 2 OF 2

DRAWING NUMBER
D190-06-305