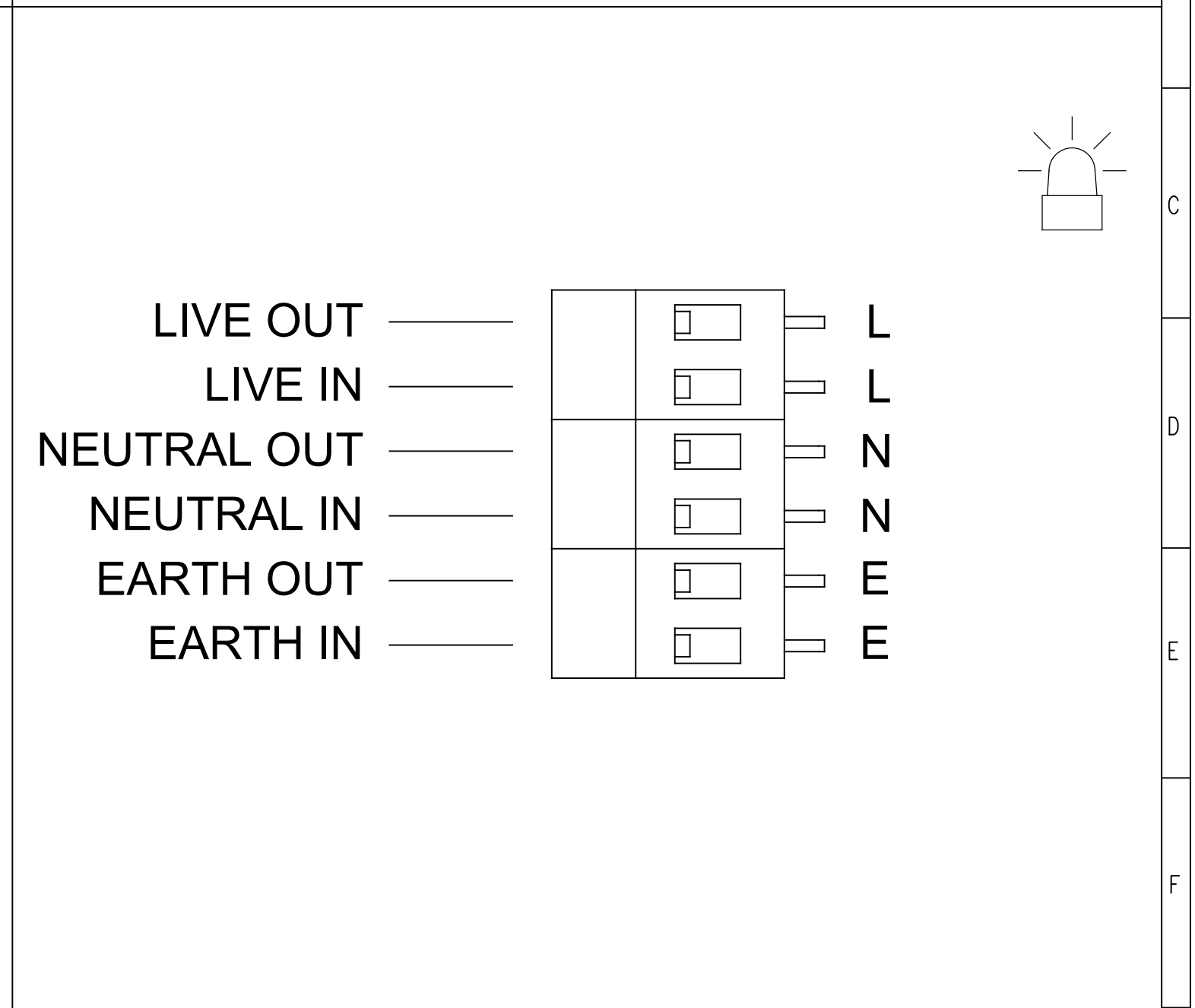
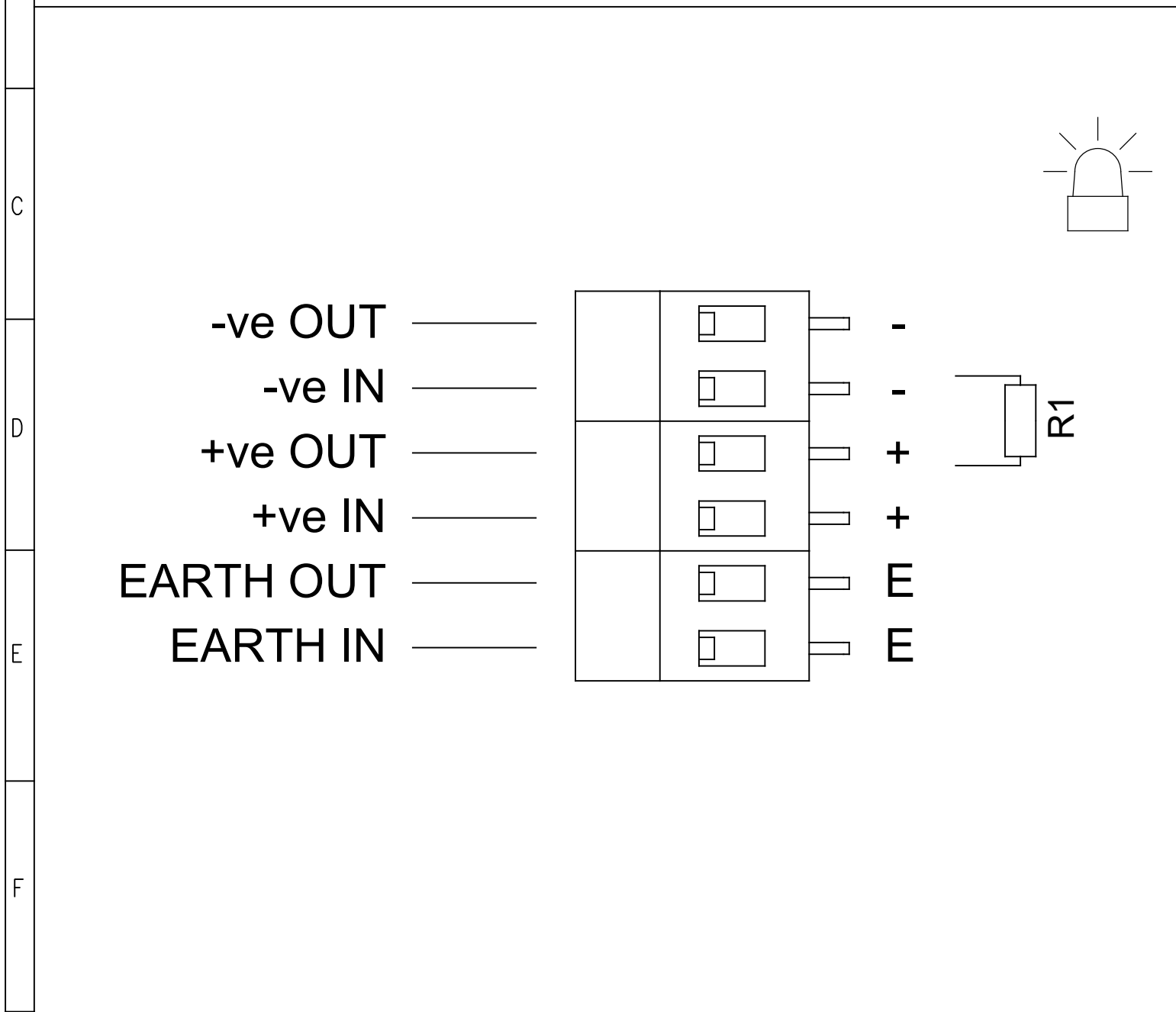


1	2	3	4	5	6	7	8	9	10
							ISSUE	MOD No.	REASON - INITIAL - DATE
							1		INTRODUCTION RSR 02-01-2020
							2		UPDATED FORMAT DH 17-05-2022

DC XENON D2XB1X05 / X10 UNITS
Line Monitoring
Power: +ve & -ve

AC D2XB1X05 / X10 UNITS
Power: Live & Neutral



DRAWING TO BS8888:2000
GEOMETRIC TOLERANCES TO ISO1101:1983
LINEAR DIMENSIONAL TOLS +/-0.35mm
ANGULAR DIMENSIONAL TOLS +/-2 deg

DRAWN	DATE
R.S. RAIT	27-06-2019
CHECKED	DATE
B. ISARD	27-06-2019
APPROVED	DATE
R.N.POTTS	27-06-2019

SURFACE FINISH	WEIGHT (Kg)
MATERIAL	
ALTERNATIVE MATERIAL	

THIS DRAWING AND ANY INFORMATION OR DESCRIPTIVE MATTER THEREIN IS COMMUNICATED IN CONFIDENCE AND IS THE COPYRIGHT PROPERTY OF EUROPEAN SAFETY SYSTEMS LTD. NEITHER THE WHOLE OR ANY EXTRACT MAY BE DISCLOSED, LOANED, COPIED OR USED FOR MANUFACTURING OR TENDERING PURPOSES WITHOUT THEIR WRITTEN CONSENT.

© EUROPEAN SAFETY SYSTEMS LTD.
AS PER LATEST DATE OF ISSUE SHOWN ABOVE

e2s
warning signals
EUROPEAN SAFETY SYSTEMS LTD
IMPRESS HOUSE
MANSELL ROAD
ACTON
LONDON W3 7QH
WWW.E2S.COM

ALL DIMENSIONS IN MM IF IN DOUBT, ASK - DO NOT SCALE			A3
TITLE D2xB1X05 & D2xB1X10 WIRING DIAGRAM			
SCALE NTS	SHEET 1 OF 1	DRAWING NUMBER D211-06-201	