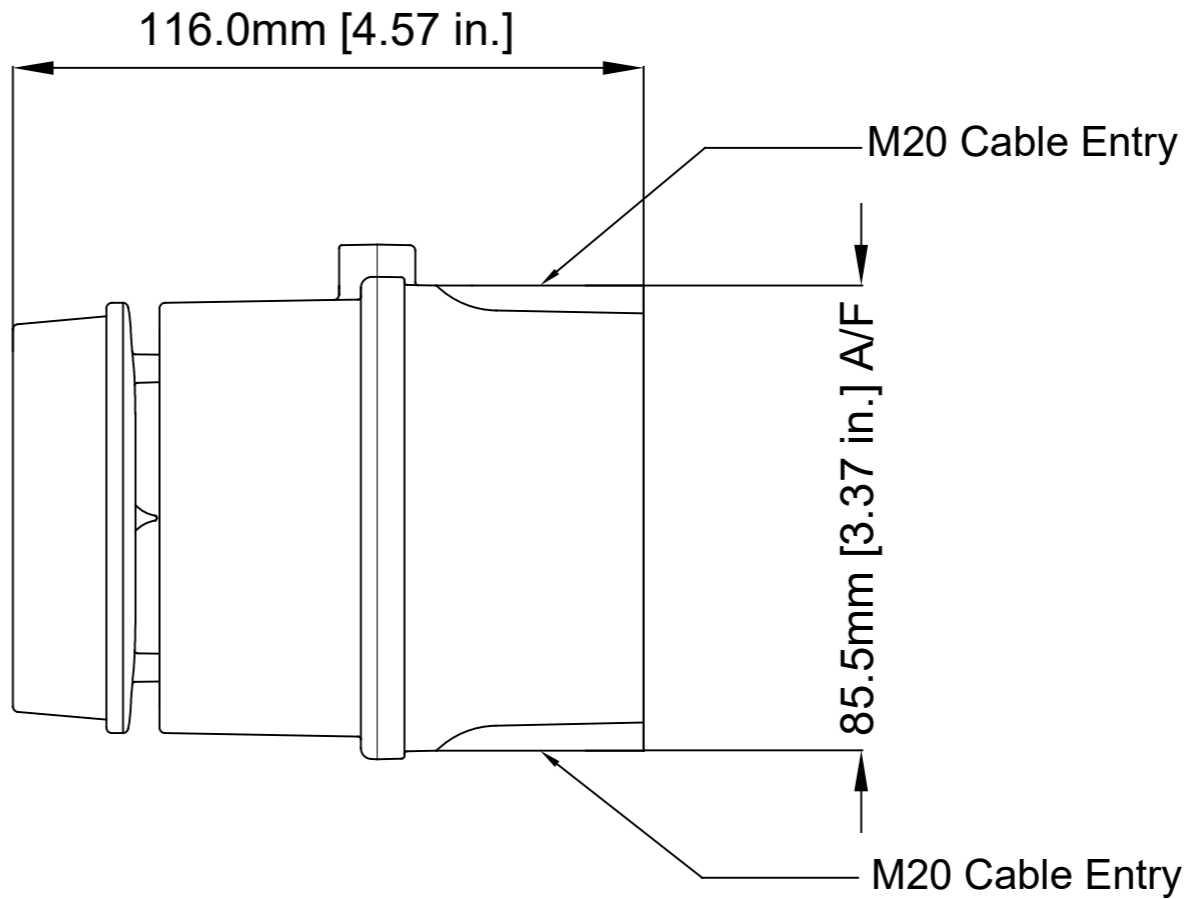
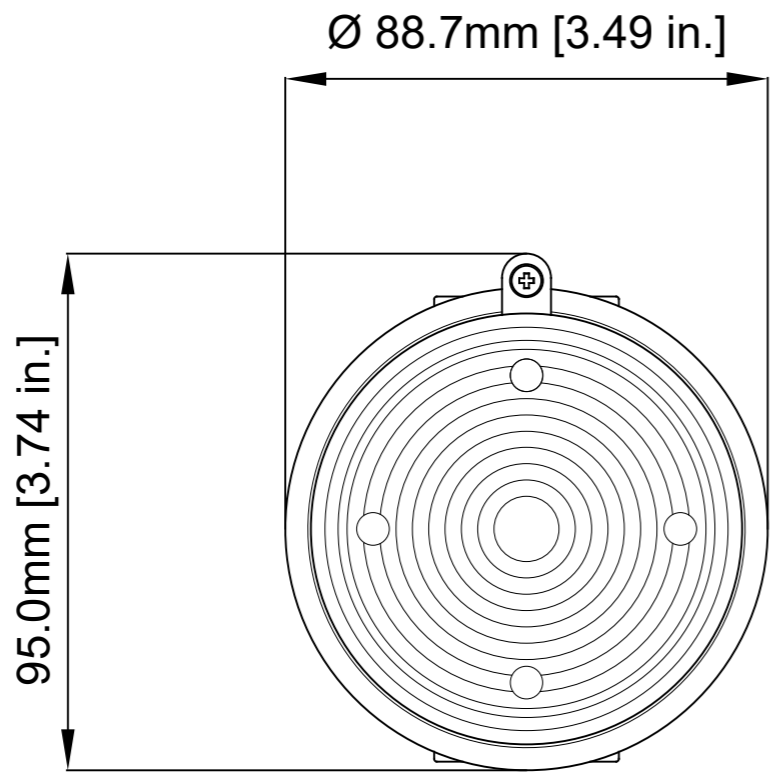
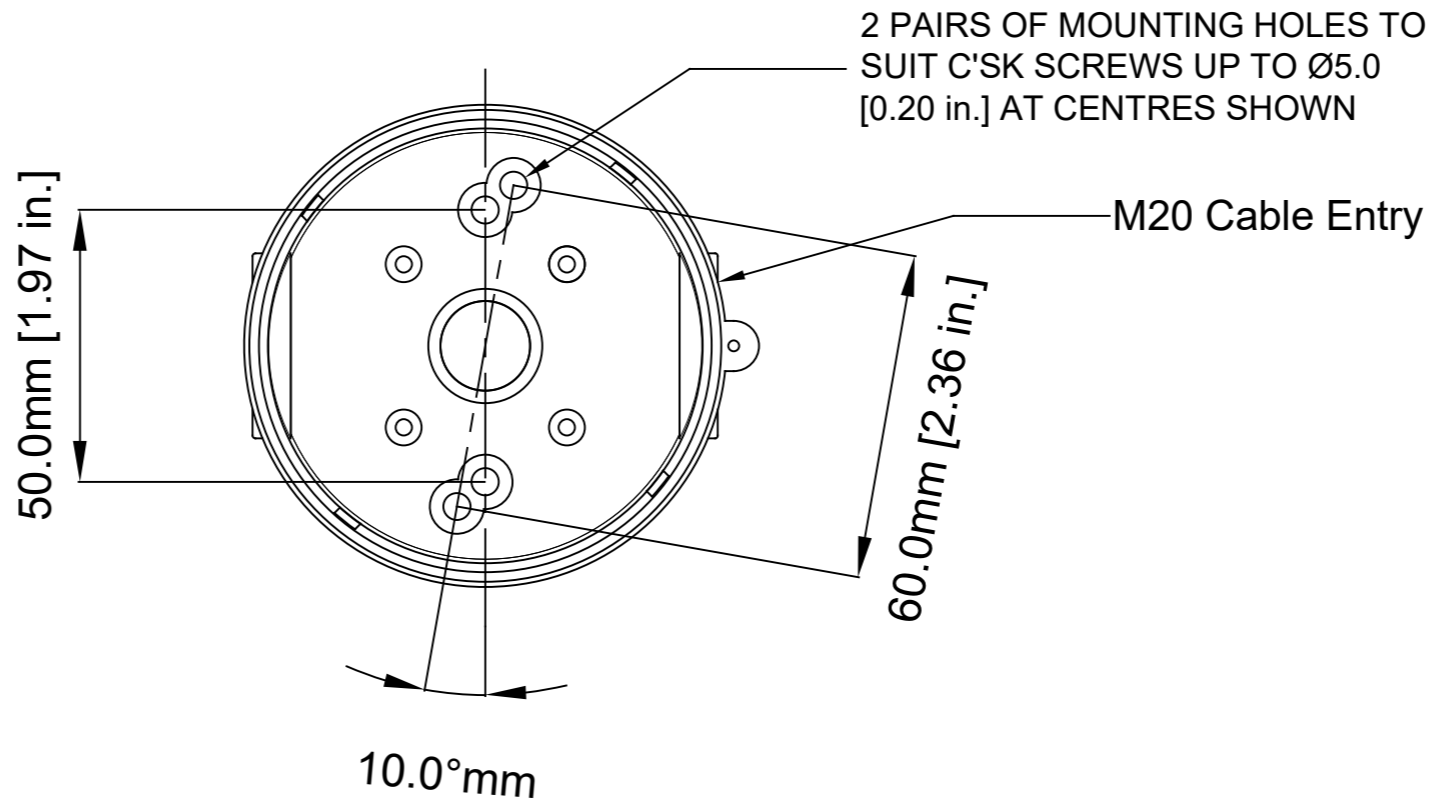


ISSUE	MOD No.	INITIAL/DATE
A		INTRODUCTION OF PART DH 18-10-2022



E2S PART NO.	DESCRIPTION	DATA REFERENCE
IS-MC1...	IS-MC1 IS MINALERT	1.13.010

DRAWING TO BS8888:2000 GEOMETRIC TOLERANCES TO ISO1101:1983 LINEAR DIMENSIONAL TOLS ANGULAR DIMENSIONAL TOLS	DRAWN D.HOWGILL	DATE 18-10-2022	SURFACE FINISH	WEIGHT (Kg)	THIS DRAWING AND ANY INFORMATION OR DESCRIPTIVE MATTER THEREIN IS COMMUNICATED IN CONFIDENCE AND IS THE COPYRIGHT PROPERTY OF EUROPEAN SAFETY SYSTEMS LTD. NEITHER THE WHOLE OR ANY EXTRACT MAY BE DISCLOSED, LOANED, COPIED OR USED FOR MANUFACTURING OR TENDERING PURPOSES WITHOUT THEIR WRITTEN CONSENT. © EUROPEAN SAFETY SYSTEMS LTD. AS PER LATEST DATE OF ISSUE SHOWN ABOVE	 warning signals EUROPEAN SAFETY SYSTEMS LTD IMPRESS HOUSE MANSELL ROAD ACTON LONDON W3 7QH WWW.E2S.COM	ALL DIMENSIONS IN MM IF IN DOUBT, ASK - DO NOT SCALE		A2
	CHECKED R.N.POTTS	DATE 18-10-2022	MATERIAL						
	APPROVED R.N.POTTS	DATE 18-10-2022	ALTERNATIVE MATERIAL						
STANDARDS						TITLE IS-mC1 COMBINED OUTLINE	SCALE 1:1	SHEET 1 OF 1	DRAWING NUMBER D251-05-601