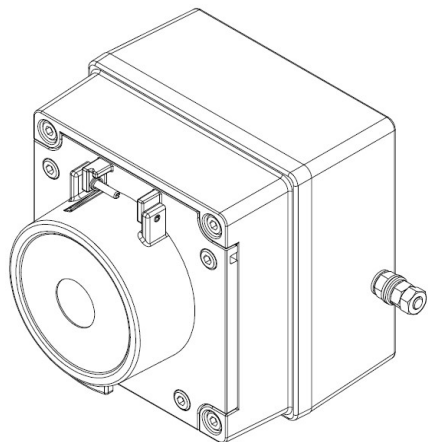


INSTRUCTION MANUAL

IS-CP4B-PT Tool Reset Manual Call Point

For use in Flammable Gas and Dust Atmospheres

IS-CP4B-PT Manual Call Point – Tool Reset With Resistor Modules For use in Flammable Gas and Combustible Dust Atmospheres



1) Introduction

The IS-CP4B-PT is a tool reset manual call point which is certified to the European and International Gas and Dust standards. The unit meets the requirements of the ATEX directive 2014/34/EU and IECEx scheme.

The call point can be used in hazardous areas where potentially flammable gas and dust atmospheres may be present.

The IS-CP4B-PT has up to two monitoring resistors. The units are Group II, EPL (equipment protection level) Ga. The equipment is certified 'Ex ia IIC T4 Ga' and as such may be used in Zones 0, 1 and 2 with flammable gases and vapours with gas groups IIA, IIB & IIC and temperature classes T1, T2, T3 and T4.

The equipment needs to be installed with ATEX and/or IECEx certified Zener Barriers or Galvanic Isolator

2) Marking

All units have a rating label, which carries the following important information:-


Unit Type No.:
IS-CP4B-PT Manual Call Point

Code:
Ex ia IIC T4 Ga
IP66


Ui=30V Ii=500mA Pi=1.1W Ci=0 Li=0

-40°C ≤ Ta ≤ +50°C

Certificate No.:
SIRA 09ATEX2287X
IECEx SIR 09.0122X
CSAE 21UKEX2555X

Epsilon x:  II 1G2D

CE Marking
Notified
Body No.  2813

UKCA Marking
Notified Body No.  0518

Year/Serial No. i.e. 10/1CP4BPT000001

**WARNING - DO NOT OPEN WHEN AN
EXPLOSIVE ATMOSPHERE MAY BE PRESENT**

3) Type Approval Standards

The beacon has an EC Type examination certificate issued by SIRA and have been approved to the following standards:-

EN IEC 60079-1:2018 / IEC 60079-0:2017
EN 60079-11:2012 / IEC 60079-11:2011
IEC 60079-26:2014

The equipment is certified for use in ambient temperatures in the range -40°C to +50°C and shall not be used outside this range.

4) Installation Requirements

Installation of this equipment shall only be carried out by suitably trained personnel in accordance with the applicable code of practice e.g. IEC 60079-14/EN 60079-14.

Repair of this equipment shall only be carried out by the manufacturer or in accordance with the applicable code of practice e.g. IEC 60079-19/EN 60079-19.

The certification of this equipment relies on the following materials used in its construction:

Enclosure: Aluminium Pressure Die Cast Body LM6

Through enclosure mechanism: Plastic Nylon Zytel Injection Moulded

Sealing of enclosure and mechanism: O-ring Acrylonitrile-Butadiene Rubber

If the equipment is likely to come into contact with aggressive substances, then it is the responsibility of the user to take suitable precautions that prevent it from being adversely affected, thus ensuring that the type of protection is not compromised.

"Aggressive substances" - e.g. acidic liquids or gases that may attack metals, or solvents that may affect polymeric materials.

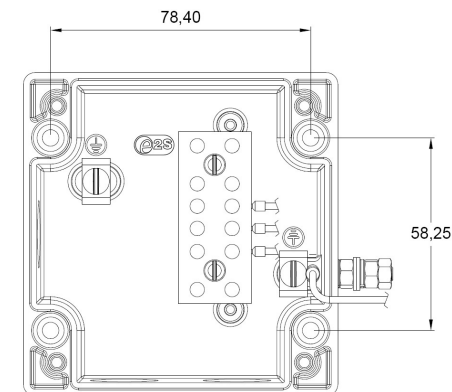
"Suitable precautions" - e.g. regular checks as part of routine inspections or establishing from the material's data sheet that it is resistant to specific chemicals.

Refer to certificates SIRA 09ATEX2287X, IECEx SIR 09.0122X and CSAE 21UKEX2555X for special conditions of safe use.

5) Call Point Location and Mounting

The location of the call point should enable ease of access for operation and testing. The unit should be mounted using the 4 off fixing holes which will accept up to M4 sized fixings.

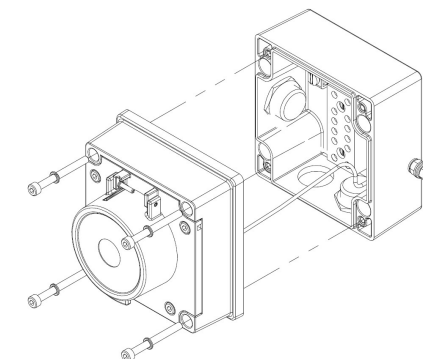
When installing in Zone 0 applications, ensure that the equipment enclosure is protected from impact.



View of base unit showing fixing centres.

To gain access to the mounting holes in the base the front cover must be removed.

This is achieved by removing the 4 off M4 cap head bolts holding on the cover.



Once the screws are removed the cover will hang down out of the way to gain access to the Ex e terminal block, the internal earth terminal and mounting hole recesses.

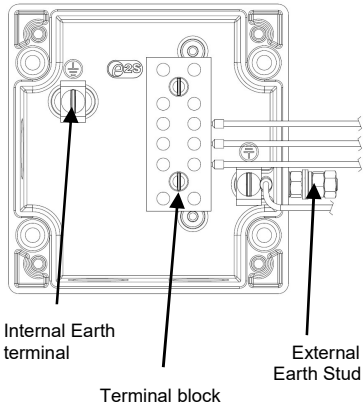
6) Earthing

The unit has both internal and external earth terminals.

It is recommended that a cable crimp lug is used on the earth wires.

The internal earth wire is placed under a earth clamp which will stop the cable twisting. This is secured by an M4 screw and spring washer.

The external earth lug should be located between the two M5 washers provided and securely locked down with the M5 spring washer and two locknuts.



7) Cable connections

There are 3 off cable entries for M20x1.5 cable glands or stopping plugs.

Cable glands or stopping plugs must be rated IP66.

The unit can be wired in a number of different ways depending on the resistor combination selected.

Option 1 – EOL (End of line) Resistor

Option 2 – Series (In line) resistor

Option 3 – Series and EOL resistors

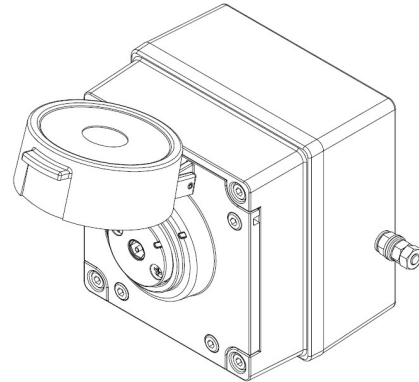
The equipment needs to be installed with ATEX and/or IECEx certified Zener Barriers or Galvanic Isolators.

For wiring schematic refer to drawing D150-06-051

8) Testing unit operation

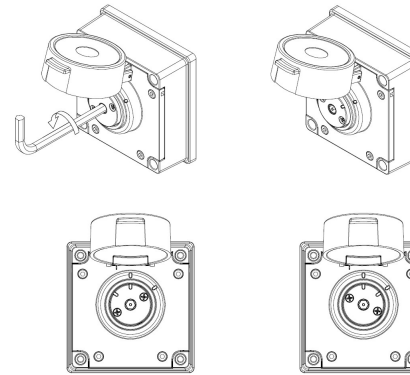
The tool reset unit can be tested without the need to replace any element.

To test, lift the cover lift flap to reveal the tool reset button. The button should be pressed into the body to activate the unit and place it into the operated condition.



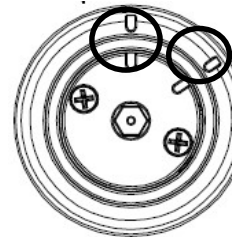
The call point switch will now change over it's contacts to operate the alarm. Once testing is complete the unit needs to be reset from the operated condition.

Using the special reset tool provided the tool reset button is rotated anticlockwise by an angle of 55°, see guide alignment marks on button and cover, shown below (1). The tool reset button should pop back up to its original position. Ensure that the tool reset button has also twisted back clockwise by 55° to its original position see guide marks on button and cover, shown below (2). The unit is now reset.



1. On operated unit
Twist tool reset button
Anticlockwise 55°
with special key to reset

2. Button should pop
up and twist back to
original position



Note: use
alignment marks
circled to indicate
the tool reset
buttons status
/position.

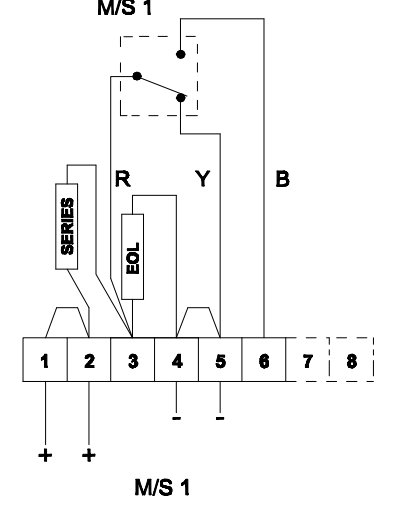
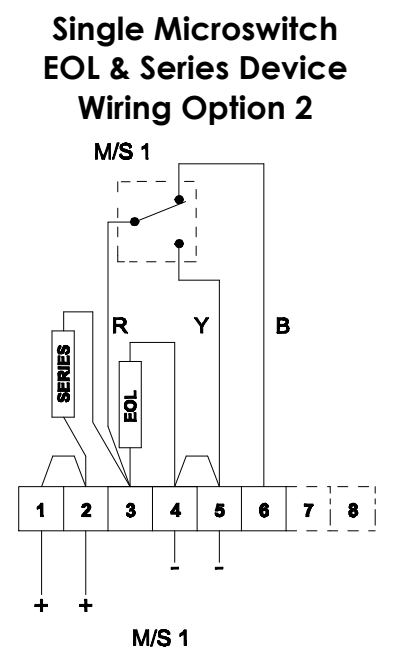
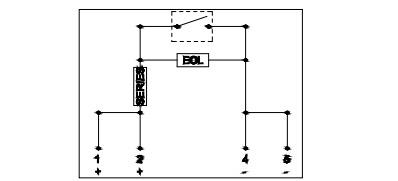
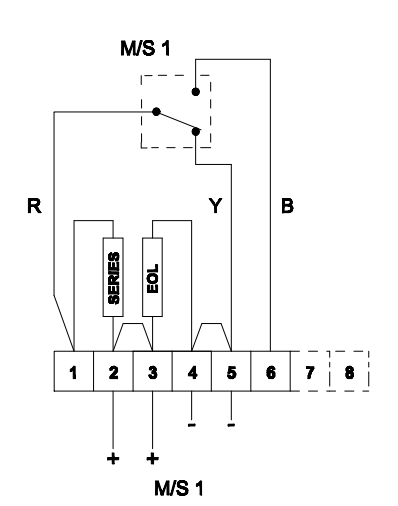
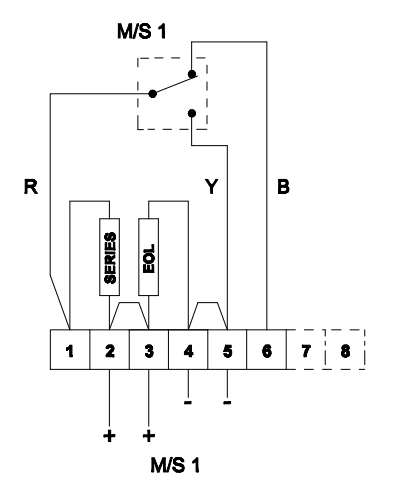
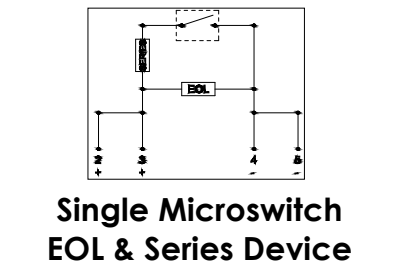
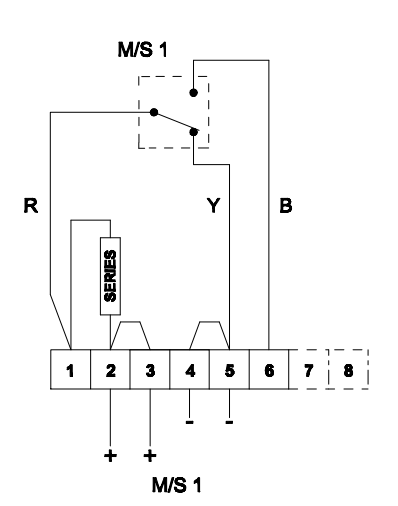
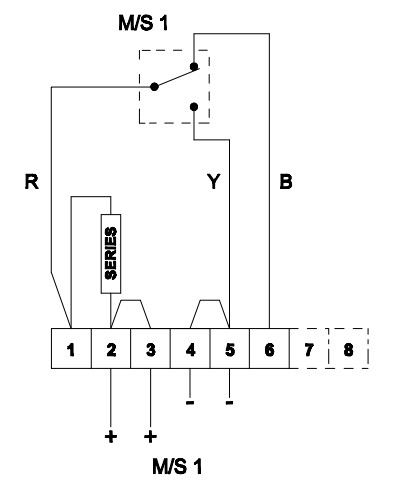
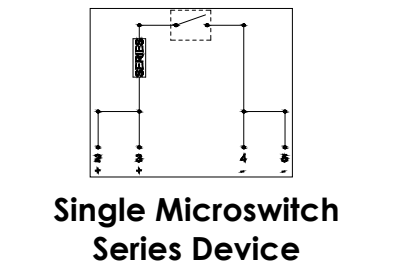
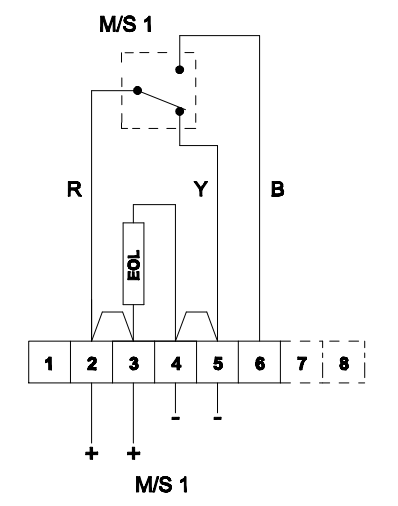
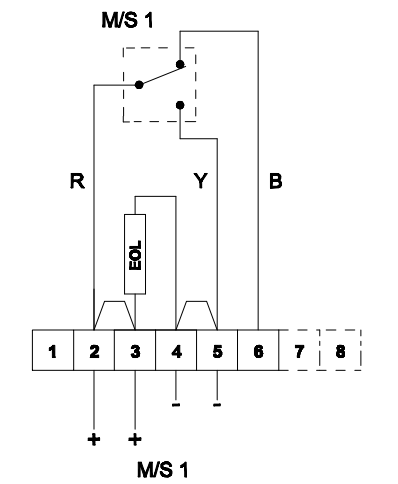
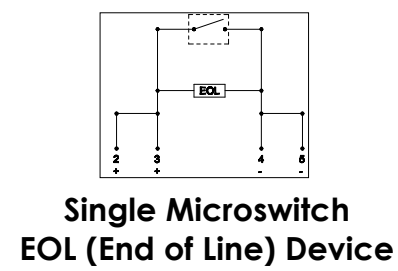
Unit currently
shown as 'standby
condition'

Resetting an operated unit is the same as resetting a tested unit.

E2S PART NO.	DESCRIPTION	DATA REFERENCE
BExCP3B/C/D/E-BG	BExCP3B/C/D-E-BG BREAK GLASS MANUAL CALL POINT	1.24.070
BExCP3B/C/D/E-PB	BExCP3B/C/D-PB PUSH BUTTON MANUAL CALL POINT	1.24.080
BExCP3B/C/D/E-PT	BExCP3B/C/D-PT TOOL RESET MANUAL CALL POINT	1.24.090
IS-CP4B-BG	IS-CP4B-BG BREAK GLASS MANUAL CALL POINT	1.14.010
IS-CP4B-PB	IS-CP4B-PB PUSH BUTTON MANUAL CALL POINT	1.14.020
IS-CP4B-PT	IS-CP4B-PT TOOL RESET MANUAL CALL POINT	1.14.030

Module Device Codes		
Resistor	EOL	Series
ExxxR	ExxxR	SxxxR
Diode	ED1	SD1
Zener Diode	ExxxZ	SxxxZ

ISSUE	MOD No.	REASON - INITIAL - DATE
1		INTRODUCTION D.A.H - 07-02-2020
2	ACN0077	TYPE E ADDED ; SIMPLIFIED DIAGRAMS ADDED. D.A.H - 26-08-2020



DRAWING TO BS8888:2000
GEOMETRIC TOLERANCES TO ISO1101:1983
LINEAR DIMENSIONAL TOLS
ANGULAR DIMENSIONAL TOLS

STANDARDS
BExCP3B/C/D/E CALL POINTS

DRAWN	DATE
D.HOWGILL	07-02-20
CHECKED	DATE
R.N.POTTS	07-02-20
APPROVED	DATE
R.N.POTTS	07-02-20

SURFACE FINISH	WEIGHT (Kg)
MATERIAL	
ALTERNATIVE MATERIAL	

THIS DRAWING AND ANY INFORMATION OR DESCRIPTIVE MATTER THEREIN IS COMMUNICATED IN CONFIDENCE AND IS THE COPYRIGHT PROPERTY OF EUROPEAN SAFETY SYSTEMS LTD. NEITHER THE WHOLE OR ANY EXTRACT MAY BE DISCLOSED, LOANED, COPIED OR USED FOR MANUFACTURING OR TENDERING PURPOSES WITHOUT THEIR WRITTEN CONSENT.

© EUROPEAN SAFETY SYSTEMS LTD.
AS PER LATEST DATE OF ISSUE SHOWN ABOVE

e2S
warning signals

EUROPEAN SAFETY SYSTEMS LTD
IMPRESS HOUSE
MANSELL ROAD
ACTON
LONDON W3 7QH
WWW.E2S.COM

ALL DIMENSIONS IN MM IF IN DOUBT, ASK - DO NOT SCALE			A3
TITLE BExCP3B/C/D/E-BG/PB/PT MANUAL CALL POINT WIRING SCHEMATIC			
SCALE NTS	SHEET 1 OF 1	DRAWING NUMBER D150-06-051	

EU Declaration of Conformity



Manufacturer: European Safety Systems Ltd.
Impress House, Mansell Road, Acton
London, W3 7QH
United Kingdom

Authorised Representative: E2S Warnsignaltechnik UG
Charlottenstrasse 45-51
72764 Reutlingen
Germany

Equipment Type: IS-CP4A, IS-CP4B, BExCP5B

Directive 2014/34/EU: Equipment and Protective Systems for use in Potentially Explosive Atmospheres (ATEX)

Notified Body for EU type Examination (Module B):	Sira Certification Service Notified Body No.: 2813 CSA Group Netherlands B.V, Utrechtseweg 310, 6812 AR, Arnhem, Netherlands
EU-type Examination Certificate (Module B):	SIRA 09ATEX2287X
Notified Body for Quality Assurance Notification / Conformity to EU-type based on quality assurance of the production process (Module D):	Sira Certification Service Notified Body No.: 2813 CSA Group Netherlands B.V, Utrechtseweg 310, 6812 AR, Arnhem, Netherlands
Quality Assurance Notification (Module D):	SIRA 05 ATEX M342
Provisions fulfilled by the equipment:	IS-CP4A: II 1G Ex ia IIC T6 Ga (-40°C ≤ Ta ≤ +55°C) II 2D Ex tb IIIC T60°C Db (-40°C ≤ Ta ≤ +55°C) IP6X Dust Protection to EN60079-0 / EN60079-31 IS-CP4B: II 1G Ex ia IIC T4 Ga (-40°C ≤ Ta ≤ +55°C) BEx-CP5B: II 2D Ex tb IIIC T70°C Db (-40°C ≤ Ta ≤ +50°C) IP6X Dust Protection to EN60079-0 / EN60079-31
Standards applied:	EN IEC 60079-0:2018 EN 60079-11:2012 IEC 60079-26:2014 EN 60079-31:2014

Directive 2014/30/EU: Electromagnetic Compatibility Directive (EMC)

Standards applied:	EN 61000-6-1:2007 EN 61000-6-2:2005 EN 61000-6-3:2007 / A1:2011 / AC: 2012 EN 61000-6-4:2007 / A1: 2011
--------------------	--

Directive 2011/65/EU: Restriction of the use of certain hazardous substances in electrical and electronic equipment (RoHS)

The product and all the components contained within it are in accordance with the restriction of the use of hazardous substances in electrical and electronic equipment, including amendment by Directive 2015/863/EU.

Regulation (EC) 1907/2006: Registration, Evaluation, Authorisation and Restriction of Chemicals (REACH)

The product and all the components contained within it are free from substances of very high concern.

Other Standards and Regulations

EN 60529:1992+A2:2013 - Degrees of protection provided by enclosures (IP code) – enclosure rated IP66
Construction and design requirements according to EN54-11:2001 clause 4.7 – IS-CP4A-BG / B-BG only (fitted with burning house symbol shown in figure 3a and no lift flap)

EU Declaration of Conformity



On behalf of European Safety Systems Ltd., I declare that, on the date the equipment accompanied by this declaration is placed on the market, the equipment conforms with all technical and regulatory requirements of the above listed directives, regulations and standards.
This Declaration is issued under the sole responsibility of the manufacturer.

A handwritten signature in black ink, appearing to read 'Martin Streetz', written over a faint, circular stamp.

Martin Streetz
Quality Assurance Manager

Document No.: DC-008_Issue_J
Date and Place of Issue: London, 23/12/2020



UKCA Declaration of Conformity



Manufacturer: European Safety Systems Ltd.
Impress House, Mansell Road, Acton
London, W3 7QH
United Kingdom

Equipment Type: IS-CP4A, IS-CP4B, BExCP5B

Directive UKSI 2016:1107 (as amended by UKSI 2019:696) – Schedule 3A, Part 1 : Product or Protective System Intended for use in Potentially Explosive Atmospheres (UKCA)

Notified Body for UK type Examination (Module B):	Sira Certification Service Notified Body No.: 0518 Rake Lane, Eccleston, Chester CH4 9JN, UK
UK-type Examination Certificate (Module B):	CSAE 21UKEX2555X
Notified Body for Quality Assurance Notification / Conformity to EU-type based on quality assurance of the production process (Module D):	Sira Certification Service Notified Body No.: 0518 Rake Lane, Eccleston, Chester CH4 9JN, UK
Quality Assurance Notification (Module D):	CSAE 22UKQAN0046
Provisions fulfilled by the equipment:	IS-CP4A: II 1G Ex ia IIC T6 Ga (-40°C ≤ Ta ≤ +55°C) II 2D Ex tb IIIC T60°C Db (-40°C ≤ Ta ≤ +55°C) IP6X Dust Protection to EN60079-0 / EN60079-31 IS-CP4B: II 1G Ex ia IIC T4 Ga (-40°C ≤ Ta ≤ +55°C) BEx-CP5B: II 2D Ex tb IIIC T70°C Db (-40°C ≤ Ta ≤ +50°C) IP6X Dust Protection to EN60079-0 / EN60079-31
Standards applied:	EN IEC 60079-0:2018 EN 60079-11:2012 IEC 60079-26:2014 EN 60079-31:2014

Directive 2014/30/EU: Electromagnetic Compatibility Directive (EMC)

Standards applied:	EN 61000-6-1:2007 EN 61000-6-2:2005 EN 61000-6-3:2007 / A1:2011 / AC: 2012 EN 61000-6-4:2007 / A1: 2011
--------------------	--

Directive 2011/65/EU: Restriction of the use of certain hazardous substances in electrical and electronic equipment (RoHS)

The product and all the components contained within it are in accordance with the restriction of the use of hazardous substances in electrical and electronic equipment, including amendment by Directive 2015/863/EU.

Regulation (EC) 1907/2006: Registration, Evaluation, Authorisation and Restriction of Chemicals (REACH)

The product and all the components contained within it are free from substances of very high concern.

Other Standards and Regulations

EN 60529:1992+A2:2013 - Degrees of protection provided by enclosures (IP code) – enclosure rated IP66
Construction and design requirements according to EN54-11:2001 clause 4.7 – IS-CP4A-BG / B-BG only (fitted with burning house symbol shown in figure 3a and no lift flap)



UKCA Declaration of Conformity



On behalf of European Safety Systems Ltd., I declare that, on the date the equipment accompanied by this declaration is placed on the market, the equipment conforms with all technical and regulatory requirements of the above listed directives, regulations and standards.
This Declaration is issued under the sole responsibility of the manufacturer.

Martin Streetz
Quality Assurance Manager

Document No.: DC-091_Issue_A
Date and Place of Issue: London, 04/02/2022