

ISSUE	MOD No.	REASON - INITIAL - DATE
C		New Format RSR 29/11/22

A

A

**DC XENON GNExB1X05 UNITS**

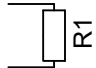
**Line Monitoring**

**Power: +ve & -ve**

B

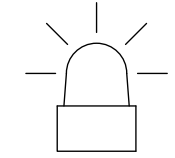
B

OPTIONAL LINE MONITORING RESISTOR, CUSTOMER SUPPLIED,  
RECOMMENDED MINIMUM VALUES:  
500Ω MIN, 2W MIN OR 3K3Ω MIN, 0.5W MIN



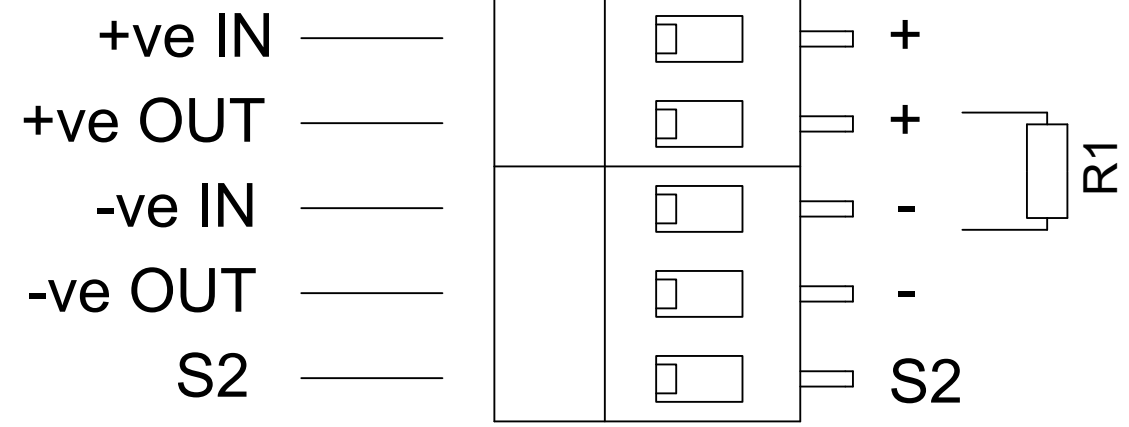
C

C



D

D


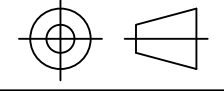


E

E

F

F

DRAWING TO BS8888:2000 GEOMETRIC TOLERANCES TO ISO1101:1983 LINEAR DIMENSIONAL TOLS ANGULAR DIMENSIONAL TOLS	DRAWN <b>R. RAIT</b>	DATE <b>28/11/22</b>	SURFACE FINISH	WEIGHT (Kg)	THIS DRAWING AND ANY INFORMATION OR DESCRIPTIVE MATTER THEREIN IS COMMUNICATED IN CONFIDENCE AND IS THE COPYRIGHT PROPERTY OF EUROPEAN SAFETY SYSTEMS LTD. NEITHER THE WHOLE OR ANY EXTRACT MAY BE DISCLOSED, LOANED, COPIED OR USED FOR MANUFACTURING OR TENDERING PURPOSES WITHOUT THEIR WRITTEN CONSENT.  © EUROPEAN SAFETY SYSTEMS LTD. AS PER LATEST DATE OF ISSUE SHOWN ABOVE	 warning signals EUROPEAN SAFETY SYSTEMS LTD IMPRESS HOUSE MANSELL ROAD ACTON LONDON W3 7QH WWW.E2S.COM	ALL DIMENSIONS IN MM IF IN DOUBT, ASK - DO NOT SCALE		<b>A3</b>		
	STANDARDS <b>GNExB1 BEACONS</b>	CHECKED <b>R.N.POTTS</b>	DATE <b>28/11/22</b>	MATERIAL			ALTERNATIVE MATERIAL	TITLE <b>GNExB1 X05 BEACON WIRING DIAGRAMS</b>			
		APPROVED <b>R.N.POTTS</b>	DATE <b>28/11/22</b>					SCALE <b>NTS</b>	SHEET <b>1 OF 2</b>	DRAWING NUMBER <b>D155-06-201</b>	

G

G

ISSUE	MOD No.	REASON - INITIAL - DATE
C		New Format RSR 29/11/22

A

A

**AC XENON GNExB1 X05 UNITS**

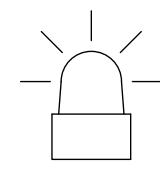
Power: Live & Neutral

B

B

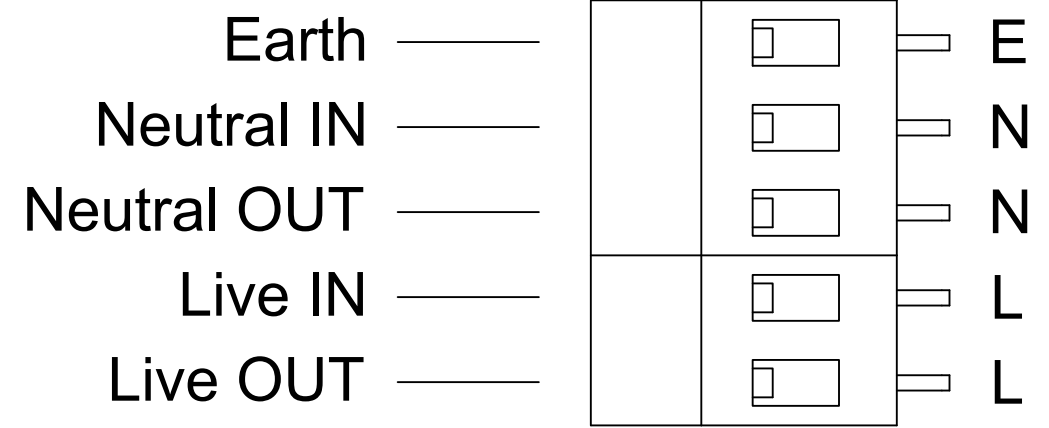
C

C



D

D



E

E

F

F

DRAWING TO BS8888:2000 GEOMETRIC TOLERANCES TO ISO1101:1983 LINEAR DIMENSIONAL TOLS ANGULAR DIMENSIONAL TOLS	DRAWN	DATE	SURFACE FINISH	WEIGHT (Kg)	THIS DRAWING AND ANY INFORMATION OR DESCRIPTIVE MATTER THEREIN IS COMMUNICATED IN CONFIDENCE AND IS THE COPYRIGHT PROPERTY OF EUROPEAN SAFETY SYSTEMS LTD. NEITHER THE WHOLE OR ANY EXTRACT MAY BE DISCLOSED, LOANED, COPIED OR USED FOR MANUFACTURING OR TENDERING PURPOSES WITHOUT THEIR WRITTEN CONSENT.	EUROPEAN SAFETY SYSTEMS LTD IMPRESS HOUSE MANSELL ROAD ACTON LONDON W3 7QH WWW.E2S.COM	ALL DIMENSIONS IN MM		A3
	R. RAIT	28/11/22					IF IN DOUBT, ASK - DO NOT SCALE		
	STANDARDS	CHECKED	DATE	MATERIAL			TITLE <b>GNExB1 X05</b> <b>BEACON WIRING DIAGRAMS</b>		
GNExB1 BEACONS	R.N.POTTS	28/11/22	ALTERNATIVE MATERIAL		SCALE	SHEET	DRAWING NUMBER		
	R.N.POTTS	28/11/22			NTS	2 OF 2	D155-06-201		

G

G