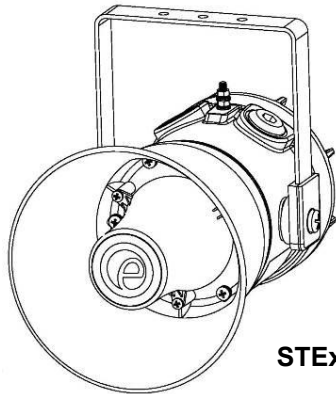


INSTRUCTION MANUAL (ATEX / IECEx & UKEx)

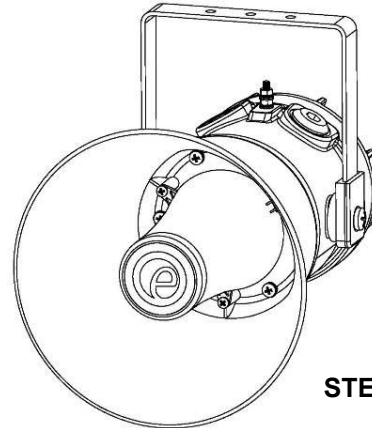
STExL1 & STExL2

Loudspeakers

For use in Flammable Gas and Dust Atmospheres



STExL1



STExL2

1) Warnings



- DO NOT OPEN WHEN AN EXPLOSIVE ATMOSPHERE IS PRESENT
- POTENTIAL ELECTROSTATIC CHARGING HAZARD
- ALL ENTRIES M20 X 1.5 - IF TEMPERATURE EXCEEDS 70°C AT ENTRY OR 80°C AT BRANCHING POINT USE SUITABLE RATED CABLE AND CABLE GLANDS

2) Rating & Marking Information

All units have a rating label, which carries the following important information:-

Input Voltage:

Low Impedance Units 8Ω or 16Ω
Line Voltage Units 70Vline or 100V line

STExL1 Codes:

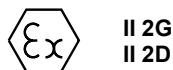
Ex db IIC Gb T6 Ta -50°C to +55°C
Ex db IIC Gb T5 Ta -50°C to +70°C
Ex tb IIIC Db T95°C Ta -50°C to +70°C

STExL2 Codes:

Ex db IIC Gb T6 Ta -50°C to +45°C
Ex db IIC Gb T5 Ta -50°C to +60°C
Ex db IIC Gb T4 Ta -50°C to +70°C
Ex tb IIIC Db T105°C Ta -50°C to +70°C

Certificate No. DEMKO 16 ATEX 1466X
IECEx ULD 16.0017X
UL21UKEX2019X

Epsilon x
Equipment Group and
Category:



II 2G
II 2D

CE Marking
Notified Body No



2813

UKCA Marking and
Notified Body No.



0518

The units can be installed in locations with the following conditions:

Area Classification Gas:

Zone 1	Explosive gas air mixture likely to occur in normal operation.
Zone 2	Explosive gas air mixture not likely to occur in normal operation, and if it does, it will only exist for a short time.

Gas Groupings:

Group IIA	Propane
Group IIB	Ethylene
Group IIC	Hydrogen and Acetylene

Temperature Classification:

T1	450°C
T2	300°C
T3	200°C
T4	135°C
T5	100°C (up to 60°C ambient for STExL2 only)
T6	85°C (up to 55°C ambient for STExL1, up to 45°C ambient for STExL2 only)

Area Classification Dust:

Zone 21	Explosive dust air mixture likely to occur in normal operation.
Zone 22	Explosive dust air mixture not likely to occur in normal operation, and if it does, it will only exist for a short time.

Dust Groupings:

Group IIIA	Combustible Flyings
Group IIIB	Non-conductive Dust
Group IIIC	Conductive Dust

Ambient Temperature Range: -50°C to +70°C

IP Rating: IP66 to EN/IEC60079-0 and EN/IEC60529

Equipment Category: 2G/D

Equipment Protection Level: Gb, Gc, Db, Dc

Maximum Surface Temperature for Dust Applications:

95°C (STExL1)
105°C (STExL2)

3) Type Approval Standards

The equipment carries an EC & UKCA Type Examination Certificate and IECEx Certificate of Conformity, and have been certified to comply with the following standards:

EN60079-0:2018/ IEC60079-0:2017 (Ed 7):
Explosive Atmospheres - Equipment. General requirements

EN60079-1:2014 / IEC60079-1:2014 (Ed 7): Explosive
Atmospheres - Equipment protection by flameproof
enclosures "d"

EN 60079-31:2014 / IEC 60079-31:2013 (Ed 2): Explosive
Atmospheres - Equipment dust ignition protection by
enclosure "t"

4) Installation Requirements

The loudspeaker must only be installed by suitably qualified personnel in accordance with the latest issues of the relevant standards:

EN60079-14 / IEC60079-14: Explosive atmospheres -
Electrical installations design, selection and erection

EN60079-10-1 / IEC60079-10-1: Explosive atmospheres -
Classification of areas. Explosive gas atmospheres

EN60079-10-2 / IEC60079-10-2: Explosive atmospheres -
Classification of areas. Explosive dust atmospheres

The installation of the units must also be in accordance with any local codes that may apply and should only be carried out by a competent electrical engineer who has the necessary training.

5) Special Conditions of Use

Repair of the flamepath / flameproof joints is not permitted.

The plastic horn is not anti-static and the metallic enclosure has a non-conductive coating. These may generate an ignition-capable level of electrostatic charges under certain extreme conditions. The user should ensure that the equipment is not installed in a location where it may be subjected to external conditions that might cause a build-up of electrostatic charges on non-conducting surfaces.

Additionally, cleaning of the equipment should be done only with a damp cloth.

6) Location and Mounting

The location of the loudspeaker should be made with due regard to the area over which the warning signal must be visible/audible. They should only be fixed to surfaces that can carry the weight of the unit.

The STEx loudspeaker should be secured to any flat surface using the three 7mm fixing holes. The angle can then be adjusted as required but the mounting restrictions must be observed. See Fig 1c. This can be achieved by loosening the two large bracket screws in the side of the unit, which allow adjustments in steps of 18°. The enclosure provides IP66 protection and is suitable for installation in exterior locations providing it is positioned so that water cannot collect in the horn, and the cable entry is sealed. See figure 1.

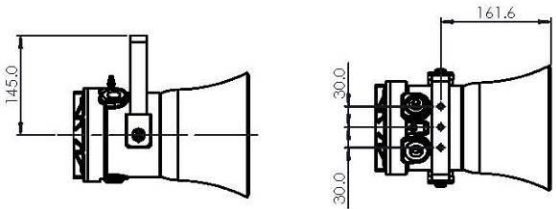


Fig 1a. Fixing Location for Small Horn

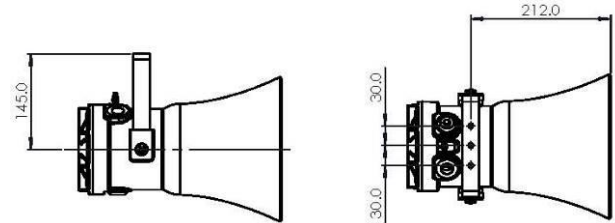


Fig 1b. Fixing Location for Large Horn

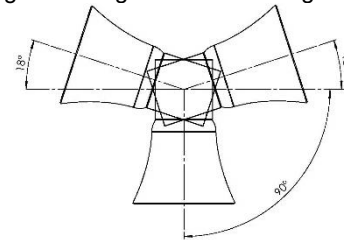


Fig. 1c Mounting Restrictions

7) Access to the Flameproof Enclosure



Warning – High voltage may be present, risk of electric shock. DO NOT open when energised, disconnect power before opening.



Warning – Hot surfaces. External surfaces and internal components may be hot after operation, take care when handling the equipment.

In order to connect the electrical supply cables to the loudspeaker it is necessary to remove the flameproof cover to gain access to the flameproof chamber. To access the Ex d chamber, loosen the M4 grub screw on the loudspeaker cover. Open the enclosure by turning the loudspeaker cover counterclockwise and remove the cover, taking extreme care not to damage the flameproof threads in the process (See figure 2).

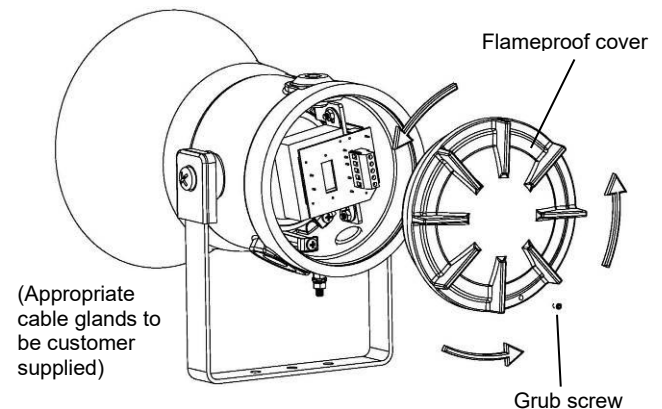


Fig. 2 Accessing the Explosion proof Enclosure.

On completion of the installation, the flameproof threaded joint should be inspected to ensure that they are clean and that they have not been damaged during installation. Repair of the flamepath / flameproof joints is not permitted. Also check that the 'O' ring seal is in place. When fitting the flameproof cover ensure the thread is engaged correctly. Fully tighten the cover all the way, ensure no gap is visible between the cover and base of the loudspeaker enclosure. Tighten the M4 grub screw.

8) Power Supply Selection

It is important that a suitable power supply is used to run the loudspeaker. The power supply selected must have the necessary capacity to provide the input current to all of the loudspeakers

The following table shows the input current taken by the various loudspeakers:

Model No.	Input	Power (Watts)	Max. I/P Volts
STExL1R008	8Ohm	15	10.95
STExL1R016	16Ohm	15	15.49
STExL1V070	70V Line	15	70
STExL1V100	100V Line	15	100
STExL2R008	8Ohm	25	14.14
STExL2R016	16Ohm	25	20
STExL2V070	70V Line	25	70
STExL2V100	100V Line	25	100

A supply voltage variation of +/-10% outside the voltage range is permissible.

Nominal current at nominal voltage

Max rated current at worst case supply voltage and flash rate.

9) Selection of Cable, Cable Glands, Blanking Elements & Adapters

When selecting the cable size, consideration must be given to the input current that each unit draws (see table above), the number of loudspeaker on the line and the length of the cable runs. The cable size selected must have the necessary capacity to provide the input current to all of the loudspeakers connected to the line.

For ambient temperatures over +40°C the cable entry temperature may exceed +70°C and therefore suitable heat resisting cables and cable glands must be used as per table below

STExL1:

Ambient Temp.	45°C	50°C	55°C	60°C	65°C	70°C
Min. Rating of cables and cable glands	70°C	75°C	80°C	85°C	90°C	95°C

STExL2:

Ambient Temp.	40°C	45°C	50°C	55°C	60°C	65°C	70°C
Min. Rating of cables and cable glands	75°C	80°C	85°C	90°C	95°C	100°C	105°C

The cable entries have an M20 x 1.5 – 6H entry thread. If the installation is made using cable glands, only suitably rated and ATEX / IECEx & UKEx certified cable glands must be used. They must be suitable for the type of cable being used and also meet the requirements of the current installation standards EN 60079-14 / IEC60079-14.

Any unused cable entries must be closed with suitably rated and ATEX / IECEx & UKEx certified blanking plugs.

If the installation is made using conduit, openings must have a sealing fitting connected as close as practical to the wall of the enclosure, but in no case more than the size of the conduit or 50mm, whichever is the lesser.

If a high IP (Ingress Protection) rating is required then a suitable sealing washer must be fitted under the cable glands or blanking plugs. A minimum ingress protection rating of IP6X must be maintained for installations in explosive dust atmospheres.

For combustible dust applications, the cable entry device and blanking elements shall be in type of explosion protection and shall have an IP 6X rating.

The STEx loudspeaker range can be supplied with the following types of adapters:

M20 to ½" NPT
M20 to ¾" NPT
M20 to M25

It is important to note that stopping plugs cannot be fitted onto adapters, only directly onto the M20 entries.

Any other adapters used must be suitably rated and ATEX / IECEx & UKEx certified adapters.

10) Earthing

Both AC and DC loudspeaker units must be connected to an earth according to EN/IEC 60079/14. The units are provided with internal and external earth terminals which are both located on the terminal chamber section of the unit

Internal earthing connections should be made to the Internal Earth terminal in the base of the housing using a ring crimp terminal to secure the earth conductor under the earth clamp. The earth conductor should be at least equal in size and rating to the incoming power conductors.

External earthing connections should be made to the M5 earth stud, using a ring crimp terminal to secure the earth conductor to the earth stud. The external earth conductor should be at least 4mm² in size.

11) Cable Connections

Electrical connections are to be made into the terminal blocks on the PCBA located in the flameproof enclosure. See section 7 of this manual for access to the flameproof enclosure.

Wires having a cross sectional area between 0.5 mm² to 2.5mm² can be connected to each terminal way. If an input and output wire is required the 2-off Live/Neutral or +/- terminals can be used. If fitting 2-off wires to one terminal way the sum of the 2-off wires must be a maximum cross sectional area of 2.5mm². Strip wires to 8mm. Wires may also be fitted using ferrules. Terminal screws need to be tightened down with a tightening torque of 0.45 Nm / 5 Lb-in. When connecting wires to the terminals great care should be taken to dress the wires so that when the cover is inserted into the chamber the wires do not exert excess pressure on the terminal blocks. This is particularly important when using cables with large cross sectional areas such as 2.5mm².

12) 70V & 100V Line In Wiring

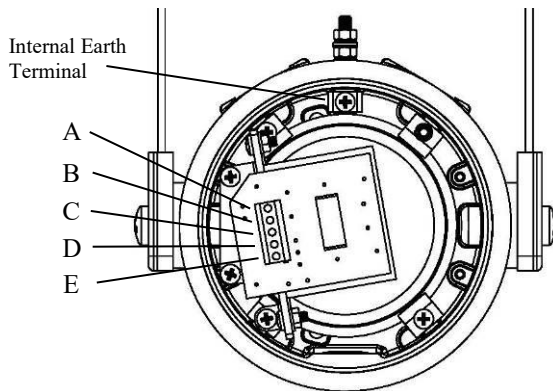


Fig. 3 Line in Terminals

The cable connections are made into the terminal blocks on the PCB assembly located in the explosion proof enclosure. See section 7 of this manual for access to the explosion proof enclosure. The 70V & 100V Line loudspeakers are fitted with a five way terminal block. Terminal A is common and one of the other terminals B, C, D or E should be selected depending on what output level is required (see table below).

Terminals	STExL2 (25W)	STExL1 (15W)
A - B	25W	15W
A - C	12.5W	7.5W
A - D	6W	3W
A - E	2W	1W

Refer to D199-06-101 for schematic diagram.

A single wire with a cross sectional area of up to 2.5mm² / AWG14 can be connected to each terminal way or if an input and output wire is required two wires can be connected to each terminal way when crimped with a ferrule. If more than one wire is fitted into a terminal a ferrule should be used to secure the wires. When connecting wires to the terminals great care should be taken to dress the wire so that when the cover is inserted into the chamber the wires do not exert excess pressure on the terminal blocks.

13) Low Impedance Wiring

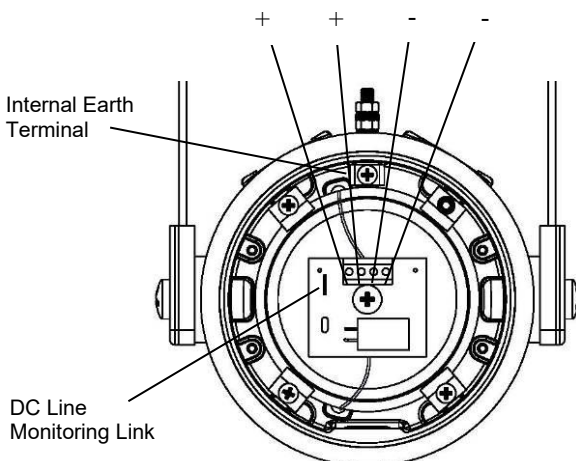


Fig. 4 Low Impedance Terminals

STExL2 and STExL1 8Ω and 16Ω low impedance loudspeakers have dual input terminals on the PCB assembly for input and output wiring. A cable of up to 4.0mm² can be connected to each terminal. If DC line monitoring is used cut the link on the board (see Fig. 4).

Refer to D199-06-101 for schematic diagram.

14) End of Line DC Monitoring

On GNExL2 and GNExL1 loudspeakers, dc line monitoring can be used if required. Both the 70V and 100V Line units and the Low Impedance units have blocking capacitors fitted. It should be noted that each loudspeaker has a 1M ohm bleed resistor connected across the blocking capacitor and this should be taken into account when selecting the value of the end of line monitoring resistance.

The end of line monitoring resistor can be connected across the terminals on the end of line unit. On the low impedance units care must be taken with the polarity of the monitoring voltage.

On 100V and 70V line units the end of line resistor used must have a minimum resistance value of 4k7 ohms and a minimum wattage of 2.5 watts

On low impedance units the end of line resistor used must have a minimum resistance value of 2k ohms and a minimum wattage of 0.5 watts or a minimum resistance value of 500 ohms and a minimum wattage of 2 watts. On the low impedance units care must be taken with the polarity of the monitoring voltage. If an end of line resistor is fitted to a unit the links on the printed circuit boards of all loudspeakers in the line must be cut for the dc blocking capacitors to be in circuit in order to dc monitor the line (see figure 5).

Refer to D199-06-101 for schematic diagram.

15) Maintenance, Overhaul and Repair

Maintenance, repair and overhaul of the equipment should only be carried out by suitably qualified personnel in accordance with the current relevant standards:

EN60079-19/IEC60079-19

Explosive atmospheres – Equipment repair, overhaul and reclamation

EN 60079-17/IEC60079-17

Explosive atmospheres – Electrical installations inspection and maintenance

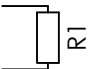
Units must not be opened while an explosive atmosphere is present.

If opening the unit during maintenance operations a clean environment must be maintained and any dust layer removed prior to opening the unit.

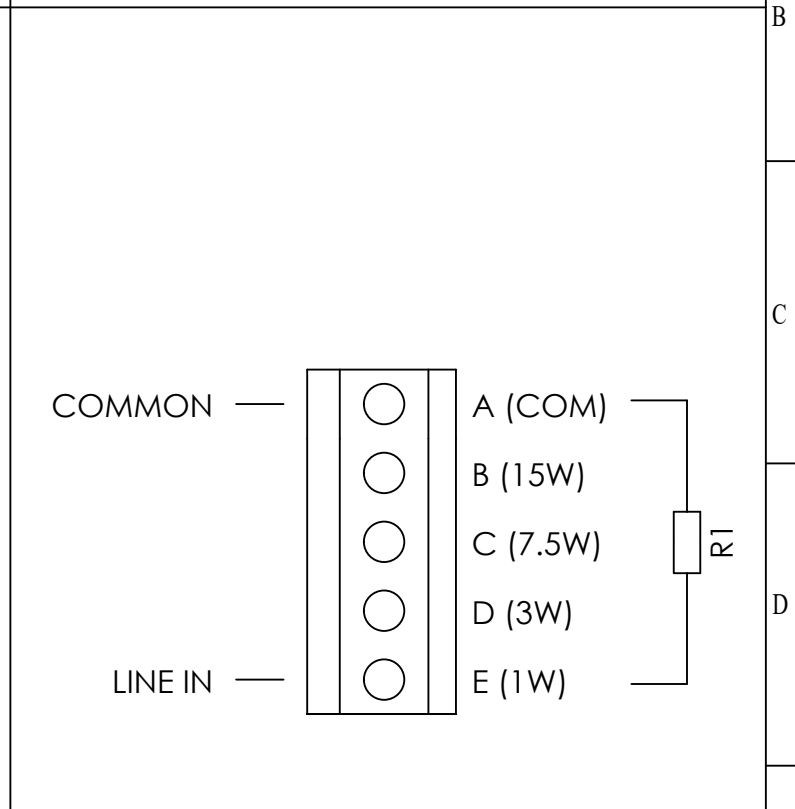
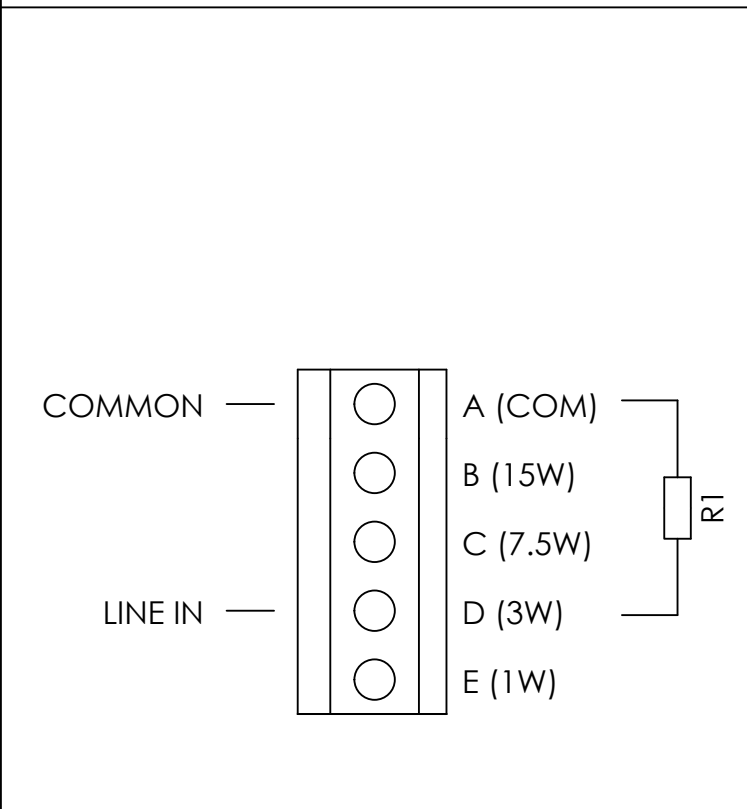
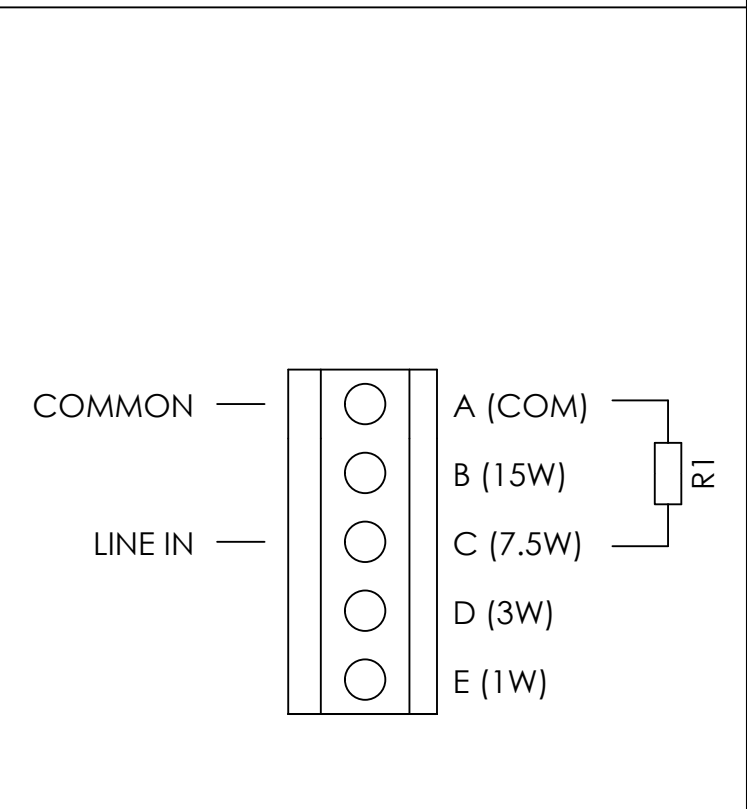
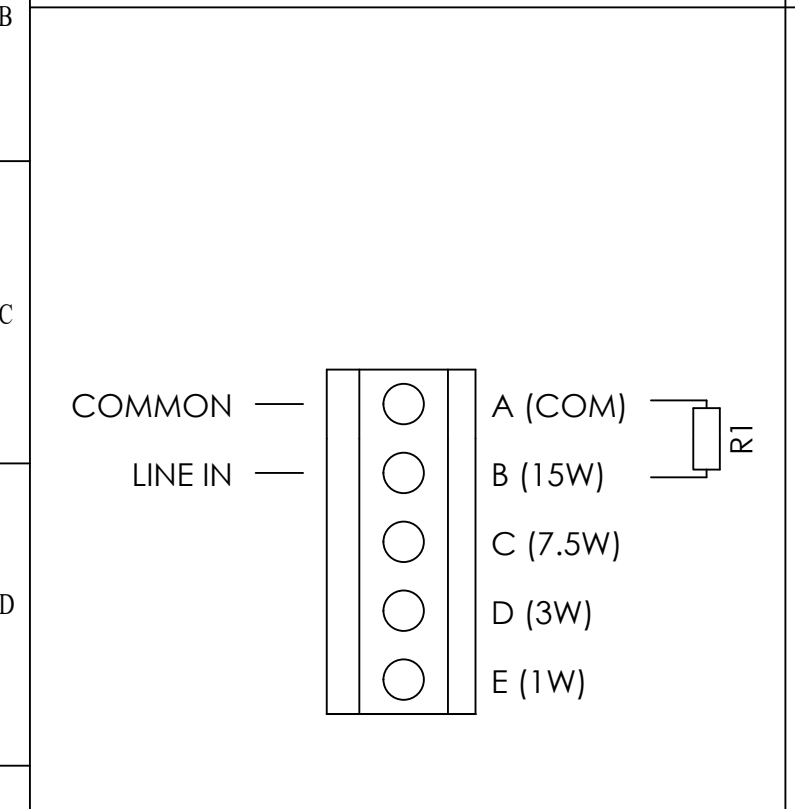
Flameproof threaded joints and cemented joints are not permitted to be repaired.

Electrostatic charging hazard - Clean only with a damp cloth.

1	2	3	4	5	6	7	8	9	10
							ISSUE	MOD No.	REASON - INITIAL - DATE
							1		INTRODUCTION MA 01/11/2022

 OPTIONAL LINE MONITORING RESISTOR, CUSTOMER SUPPLIED,
MINIMUM VALUE:
4K7Ω MIN, 2.5W MIN

STExL1V070 & STExL1V100 Line in	Config.: 1a	STExL1V070 & STExL1V100 Line in	Config.: 1b	STExL1V070 & STExL1V100 Line in	Config.: 1c	STExL1V070 & STExL1V100 Line in	Config.: 1d
Optional Line Monitoring		Optional Line Monitoring		Optional Line Monitoring		Optional Line Monitoring	
15W: Apply Signal to Common & 15W		7.5W: Apply Signal to Common & 7.5W		3W: Apply Signal to Common & 3W		1W: Apply Signal to Common & 1W	



	TERMINAL CONNECTIONS	MAX. INPUT VOLTAGE	OUTPUT LEVEL
STExL1V070	A-B	70V	15W
STExL1V100		100V	

	TERMINAL CONNECTIONS	MAX. INPUT VOLTAGE	OUTPUT LEVEL
STExL1V070	A-C	70V	7.5W
STExL1V100		100V	

	TERMINAL CONNECTIONS	MAX. INPUT VOLTAGE	OUTPUT LEVEL
STExL1V070	A-D	70V	3W
STExL1V100		100V	

	TERMINAL CONNECTIONS	MAX. INPUT VOLTAGE	OUTPUT LEVEL
STExL1V070	A-E	70V	1W
STExL1V100		100V	

DRAWING TO BS8888:2000
GEOMETRIC TOLERANCES TO ISO1101:1983
LINEAR DIMENSIONAL TOLS
ANGULAR DIMENSIONAL TOLS

STANDARDS
STExL1
STExL2

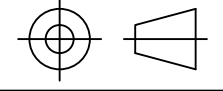
DRAWN	M.ABALOS	DATE	01/11/2022
CHECKED	R.N.POTTS	DATE	01/11/2022
APPROVED	R.N.POTTS	DATE	01/11/2022

SURFACE FINISH	WEIGHT (Kg)
MATERIAL	
ALTERNATIVE MATERIAL	

THIS DRAWING AND ANY INFORMATION OR DESCRIPTIVE MATTER THEREIN IS COMMUNICATED IN CONFIDENCE AND IS THE COPYRIGHT PROPERTY OF EUROPEAN SAFETY SYSTEMS LTD. NEITHER THE WHOLE OR ANY EXTRACT MAY BE DISCLOSED, LOANED, COPIED OR USED FOR MANUFACTURING OR TENDERING PURPOSES WITHOUT THEIR WRITTEN CONSENT.

© EUROPEAN SAFETY SYSTEMS LTD.
AS PER LATEST DATE OF ISSUE SHOWN ABOVE

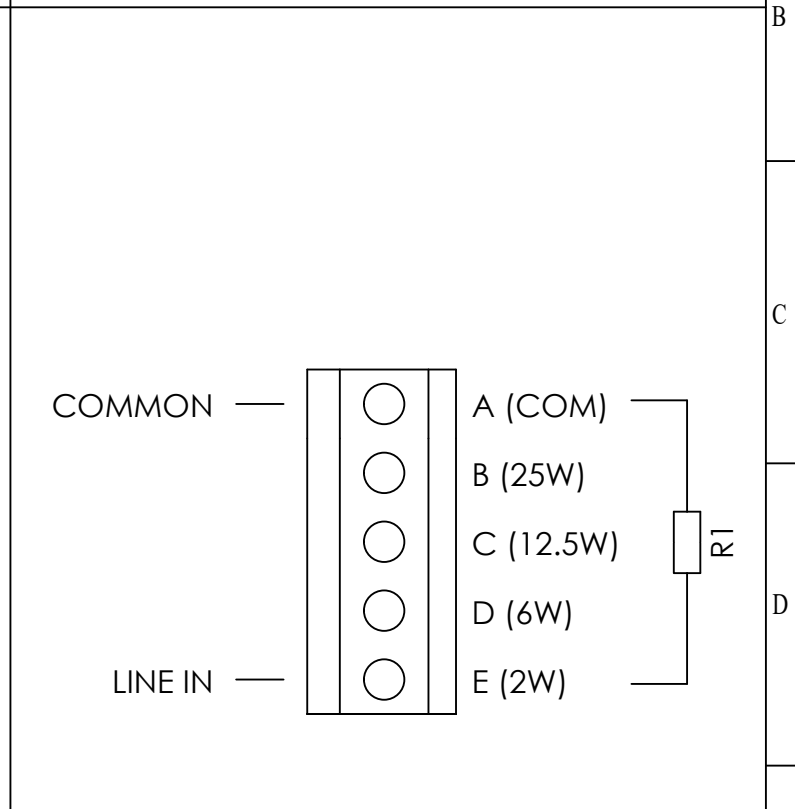
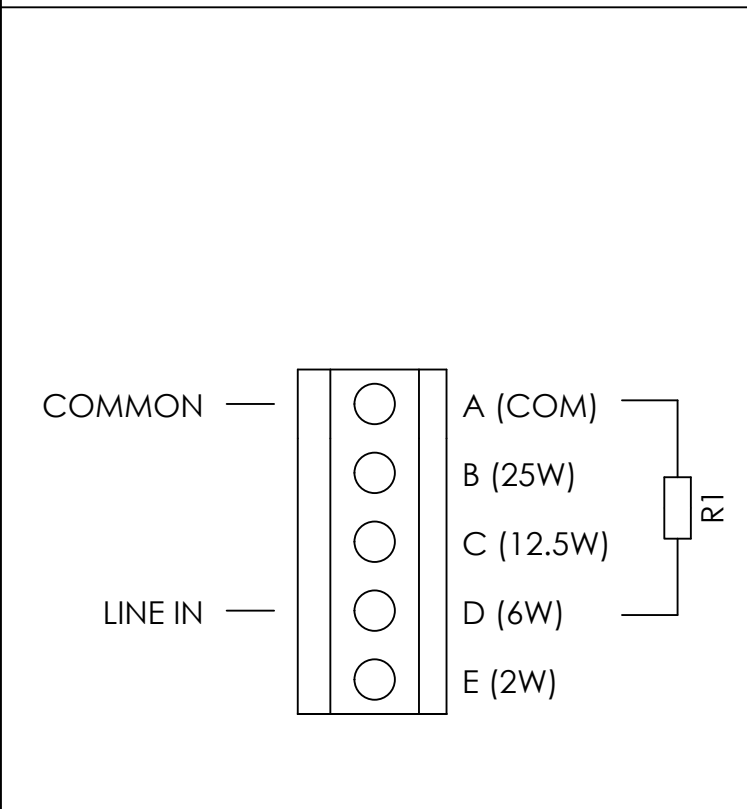
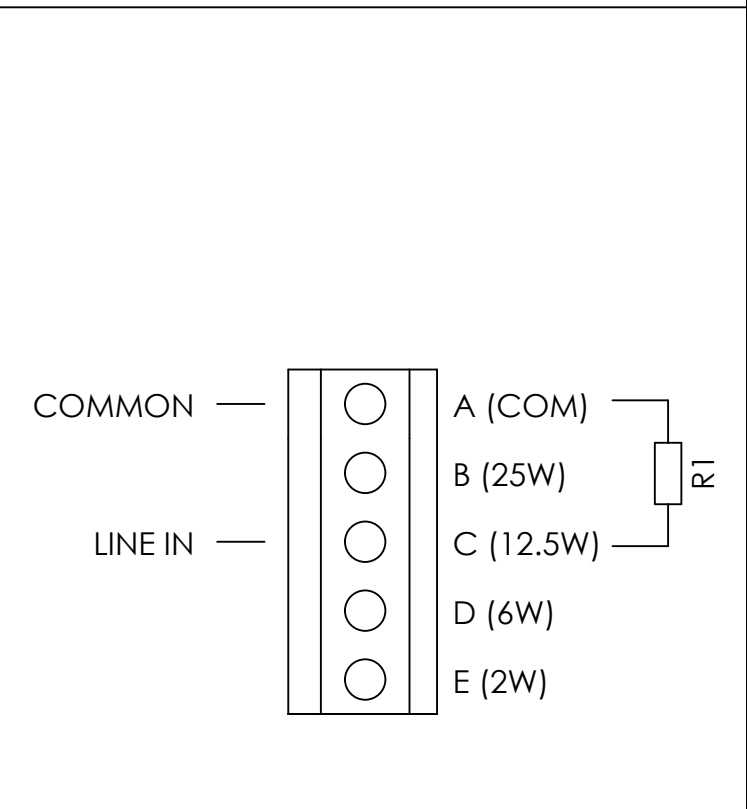
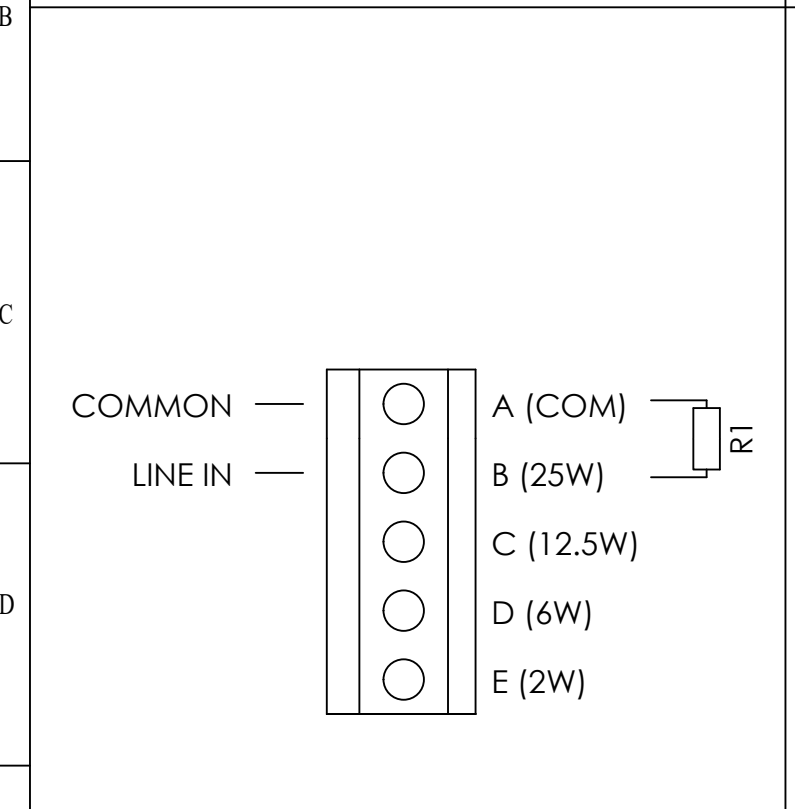

warning signals
EUROPEAN SAFETY SYSTEMS LTD
IMPRESS HOUSE
MANSELL ROAD
ACTON
LONDON W3 7QH
WWW.E2S.COM

ALL DIMENSIONS IN MM IF IN DOUBT, ASK - DO NOT SCALE		A3
TITLE STExL1 & STExL2 LINE IN & LOW IMPEDANCE LOUDSPEAKER WIRING DIAGRAMS		
SCALE NTS	SHEET 1 OF 3	DRAWING NUMBER D199-06-101

1	2	3	4	5	6	7	8	9	10
							ISSUE	MOD No.	REASON - INITIAL - DATE
							1		INTRODUCTION MA 01/11/2022

 OPTIONAL LINE MONITORING RESISTOR, CUSTOMER SUPPLIED,
MINIMUM VALUE:
4K7Ω MIN, 2.5W MIN

STExL2V070 & STExL2V100 Line in	Config.: 2a	STExL2V070 & STExL2V100 Line in	Config.: 2b	STExL2V070 & STExL2V100 Line in	Config.: 2c	STExL2V070 & STExL2V100 Line in	Config.: 2d
Optional Line Monitoring		Optional Line Monitoring		Optional Line Monitoring		Optional Line Monitoring	
25W: Apply Signal to Common & 25W		12.5W: Apply Signal to Common & 12.5W		6W: Apply Signal to Common & 6W		2W: Apply Signal to Common & 2W	



	TERMINAL CONNECTIONS	MAX. INPUT VOLTAGE	OUTPUT LEVEL
STExL2V070	A-B	70V	25W
STExL2V100		100V	

	TERMINAL CONNECTIONS	MAX. INPUT VOLTAGE	OUTPUT LEVEL
STExL2V070	A-C	70V	12.5W
STExL2V100		100V	

	TERMINAL CONNECTIONS	MAX. INPUT VOLTAGE	OUTPUT LEVEL
STExL2V070	A-D	70V	6W
STExL2V100		100V	

	TERMINAL CONNECTIONS	MAX. INPUT VOLTAGE	OUTPUT LEVEL
STExL2V070	A-E	70V	2W
STExL2V100		100V	

DRAWING TO BS8888:2000
GEOMETRIC TOLERANCES TO ISO1101:1983
LINEAR DIMENSIONAL TOLS
ANGULAR DIMENSIONAL TOLS

STANDARDS
STExL1
STExL2

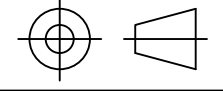
DRAWN	M.ABALOS	DATE	01/11/2022
CHECKED	R.N.POTTS	DATE	01/11/2022
APPROVED	R.N.POTTS	DATE	01/11/2022

SURFACE FINISH	WEIGHT (Kg)
MATERIAL	
ALTERNATIVE MATERIAL	

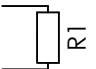
THIS DRAWING AND ANY INFORMATION OR DESCRIPTIVE MATTER THEREIN IS COMMUNICATED IN CONFIDENCE AND IS THE COPYRIGHT PROPERTY OF EUROPEAN SAFETY SYSTEMS LTD. NEITHER THE WHOLE OR ANY EXTRACT MAY BE DISCLOSED, LOANED, COPIED OR USED FOR MANUFACTURING OR TENDERING PURPOSES WITHOUT THEIR WRITTEN CONSENT.

© EUROPEAN SAFETY SYSTEMS LTD.
AS PER LATEST DATE OF ISSUE SHOWN ABOVE


warning signals
EUROPEAN SAFETY SYSTEMS LTD
IMPRESS HOUSE
MANSELL ROAD
ACTON
LONDON W3 7QH
WWW.E2S.COM

ALL DIMENSIONS IN MM IF IN DOUBT, ASK - DO NOT SCALE			A3
TITLE STExL1 & STExL2 LINE IN & LOW IMPEDANCE LOUDSPEAKER WIRING DIAGRAMS			
SCALE	SHEET	DRAWING NUMBER	
NTS	2 OF 3	D199-06-101	

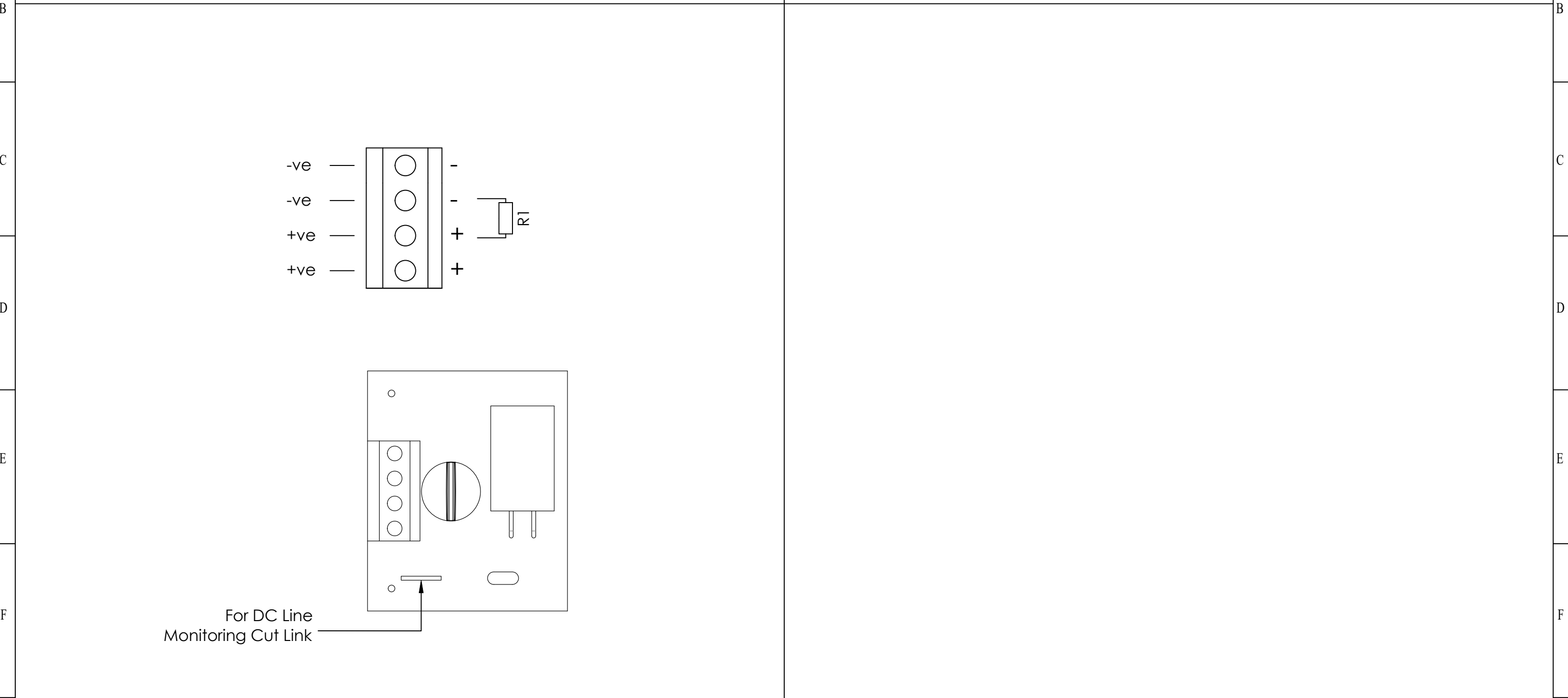
1	2	3	4	5	6	7	8	9	10
							ISSUE	MOD No.	REASON - INITIAL - DATE
							1		INTRODUCTION MA 01/11/2022


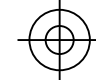
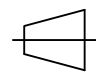
 OPTIONAL LINE MONITORING RESISTOR, CUSTOMER SUPPLIED,
MINIMUM VALUE:
500Ω MIN, 2W MIN OR 2KΩ MIN, 0.5W MIN

STExL1R008, STExL1R016, STExL2R008 & STExL2R016 LOW IMPEDANCE Config.: 3

Optional Line Monitoring

Apply Signal to +ve & - ve



DRAWING TO BS8888:2000 GEOMETRIC TOLERANCES TO ISO1101:1983 LINEAR DIMENSIONAL TOLS ANGULAR DIMENSIONAL TOLS	DRAWN	DATE	SURFACE FINISH	WEIGHT (Kg)	THIS DRAWING AND ANY INFORMATION OR DESCRIPTIVE MATTER THEREIN IS COMMUNICATED IN CONFIDENCE AND IS THE COPYRIGHT PROPERTY OF EUROPEAN SAFETY SYSTEMS LTD. NEITHER THE WHOLE OR ANY EXTRACT MAY BE DISCLOSED, LOANED, COPIED OR USED FOR MANUFACTURING OR TENDERING PURPOSES WITHOUT THEIR WRITTEN CONSENT.	 EUROPEAN SAFETY SYSTEMS LTD IMPRESS HOUSE MANSELL ROAD ACTON LONDON W3 7QH WWW.E2S.COM	ALL DIMENSIONS IN MM IF IN DOUBT, ASK - DO NOT SCALE		 	A3
	CHECKED	DATE					MATERIAL		TITLE STExL1 & STExL2 LINE IN & LOW IMPEDANCE LOUDSPEAKER WIRING DIAGRAMS	
	STANDARDS STExL1 STExL2	APPROVED	DATE	ALTERNATIVE MATERIAL			© EUROPEAN SAFETY SYSTEMS LTD. AS PER LATEST DATE OF ISSUE SHOWN ABOVE	SCALE	SHEET	DRAWING NUMBER
	R.N.POTTS	01/11/2022				NTS	3 OF 3	D199-06-101		

EU Declaration of Conformity



Manufacturer: European Safety Systems Ltd.
Impress House, Mansell Road, Acton
London, W3 7QH
United Kingdom

Authorised Representative: E2S Warnsignaltechnik UG
Charlottenstrasse 45-51
72764 Reutlingen
Germany

Equipment Type: STExS1, STExS2, STExL1, STExL2
STExB2X05, STExB2X10, STExB2X15, STExB2X21
STExB2LD2, STExB2RT1
STExC1X05
STExJ2

Directive 2014/34/EU: Equipment and Protective Systems for use in Potentially Explosive Atmospheres (ATEX)

Notified Body for EU type Examination (Module B):	UL International Demko A/S Notified Body No.: 0539 Borupvang 5A, 2750 Ballerup, Denmark
EU-type Examination Certificate (Module B):	DEMKO 16ATEX1466X
Notified Body for Quality Assurance Notification / Conformity to EU-type based on quality assurance of the production process (Module D):	Sira Certification Service Notified Body No.: 2813 CSA Group Netherlands B.V, Utrechtseweg 310, 6812 AR, Arnhem, Netherlands
Quality Assurance Notification (Module D):	SIRA 05 ATEX M342
Provisions fulfilled by the equipment:	II 2G Ex db IIC T6...T3 Gb II 2D Ex tb IIIC T82°C...T137°C Db IP6X Dust Protection to EN60079-0 / EN60079-31
Standards applied:	EN IEC 60079-0: 2018 EN 60079-1: 2014 EN 60079-31: 2014

Directive 2014/30/EU: Electromagnetic Compatibility Directive (EMC)

Standards applied:	EN 61000-6-1:2007 EN 61000-6-2:2005 EN 61000-6-3:2007 / A1:2011 / AC: 2012 EN 61000-6-4:2007 / A1: 2011
--------------------	--

Directive 2011/65/EU: Restriction of the use of certain hazardous substances in electrical and electronic equipment (RoHS)

The product and all the components contained within it are in accordance with the restriction of the use of hazardous substances in electrical and electronic equipment, including amendment by Directive 2015/863/EU.

Regulation (EC) 1907/2006: Registration, Evaluation, Authorisation and Restriction of Chemicals (REACH)

The product and all the components contained within it are free from substances of very high concern.

Other Standards and Regulations

EN 60529:1991 / A1:2000 / A2:2013 - Degrees of protection provided by enclosures (IP code) – enclosure rated IP66

EU Declaration of Conformity



On behalf of European Safety Systems Ltd., I declare that, on the date the equipment accompanied by this declaration is placed on the market, the equipment conforms with all technical and regulatory requirements of the above listed directives, regulations and standards.

This Declaration is issued under the sole responsibility of the manufacturer.

A handwritten signature in black ink, appearing to read 'Martin Streetz'.

Martin Streetz
Quality Assurance Manager

Document No.: DC-070_Issue_G
Date and Place of Issue: London, 03/12/2021



UKCA Declaration of Conformity



Manufacturer: European Safety Systems Ltd.
Impress House, Mansell Road, Acton
London, W3 7QH
United Kingdom

Equipment Type: STExS1, STExS2, STExL1, STExL2
STExB2X05, STExB2X10, STExB2X15, STExB2X21
STExB2LD2, STExB2RT1
STExC1X05
STExJ2

Directive UKSI 2016:1107 (as amended by UKSI 2019:696) – Schedule 3A, Part 1 : Product or Protective System Intended for use in Potentially Explosive Atmospheres (UKCA)

Notified Body for UK type Examination (Module B):	UL International (UK) Ltd Notified Body No.: 0843 Unit 1-3 Horizon Kingsland Business Park, Wade Road, Basingstoke, Hampshire RG24 8AH UK
UK-type Examination Certificate (Module B):	UL21UKEX2019X
Notified Body for Quality Assurance Notification / Conformity to EU-type based on quality assurance of the production process (Module D):	Sira Certification Service Notified Body No.: 0518 Rake Lane, Eccleston, Chester CH4 9JN, UK
Quality Assurance Notification (Module D):	CSAE 22UKQAN0046
Provisions fulfilled by the equipment:	II 2G Ex db IIC T6...T3 Gb II 2D Ex tb IIIC T85°C...T137°C Db IP6X Dust Protection to EN60079-0 / EN60079-31
Standards applied:	EN IEC 60079-0: 2018 EN 60079-1: 2014 EN 60079-31: 2014

Directive 2014/30/EU: Electromagnetic Compatibility Directive (EMC)

Standards applied:	EN 61000-6-1:2007 EN 61000-6-2:2005 EN 61000-6-3:2007 / A1:2011 / AC: 2012 EN 61000-6-4:2007 / A1: 2011
--------------------	--

Directive 2011/65/EU: Restriction of the use of certain hazardous substances in electrical and electronic equipment (RoHS)

The product and all the components contained within it are in accordance with the restriction of the use of hazardous substances in electrical and electronic equipment, including amendment by Directive 2015/863/EU.

Regulation (EC) 1907/2006: Registration, Evaluation, Authorisation and Restriction of Chemicals (REACH)

The product and all the components contained within it are free from substances of very high concern.

Other Standards and Regulations

EN 60529:1991 / A1:2000 / A2:2013 - Degrees of protection provided by enclosures (IP code) – enclosure rated IP66

UKCA Declaration of Conformity



On behalf of European Safety Systems Ltd., I declare that, on the date the equipment accompanied by this declaration is placed on the market, the equipment conforms with all technical and regulatory requirements of the above listed directives, regulations and standards.

This Declaration is issued under the sole responsibility of the manufacturer.

A handwritten signature in black ink, appearing to read 'Martin Streetz', written in a cursive style.

Martin Streetz
Quality Assurance Manager

Document No.: DC-100_Issue_A
Date and Place of Issue: London, 24/02/2022