

# SPECTRA B200STR

Xenon Strobe Flashing Beacon

1J @ 0.75Hz

IP Rating: IP65

Temp: -25°C to +50°C

Unit weight: 84g DC, 89g AC

CE, UKCA



Dimensions : Ø60 x 80mm

2.5mm<sup>2</sup> terminals

Cable entry: 1 x 5-7mm push through grommet

x = Lens colour

R = Red

B = Blue

Y = Yellow

A = Amber

G = Green

C = Clear

Mountings

B200RAB001 Right angle bracket

B200TMA001 Tube mounting assembly

Order code

Voltage


B200STR030B/x 10-30V DC/AC


82mA @ 24V DC


145mA @ 24V AC


B200STR115B/x 115V AC 30mA

B200STR230B/x 230V AC 25mA

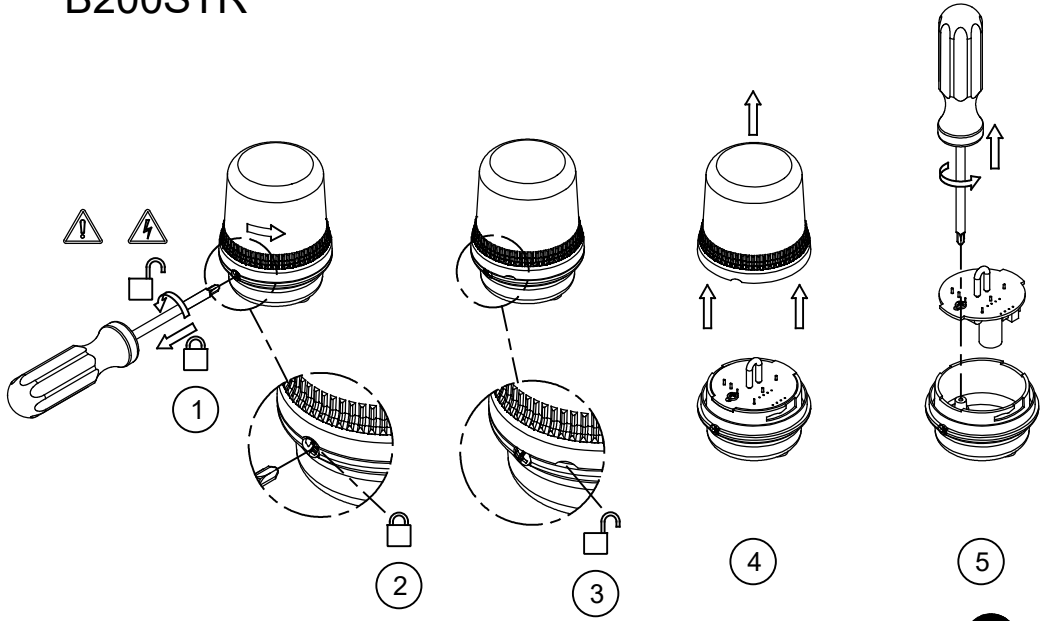
 **ATTENTION:** Installation must be carried out by an electrician in compliance with the latest codes and regulations.

 **ATTENTION:** Disconnect from power source before installation or service to prevent electric shock.

 **ATTENTION:** On strobe beacons allow a minimum of 2 minutes for hazardous high voltage to discharge from unit.

 **ATTENTION:** Lens on unit will be hot allow to cool prior to removal.

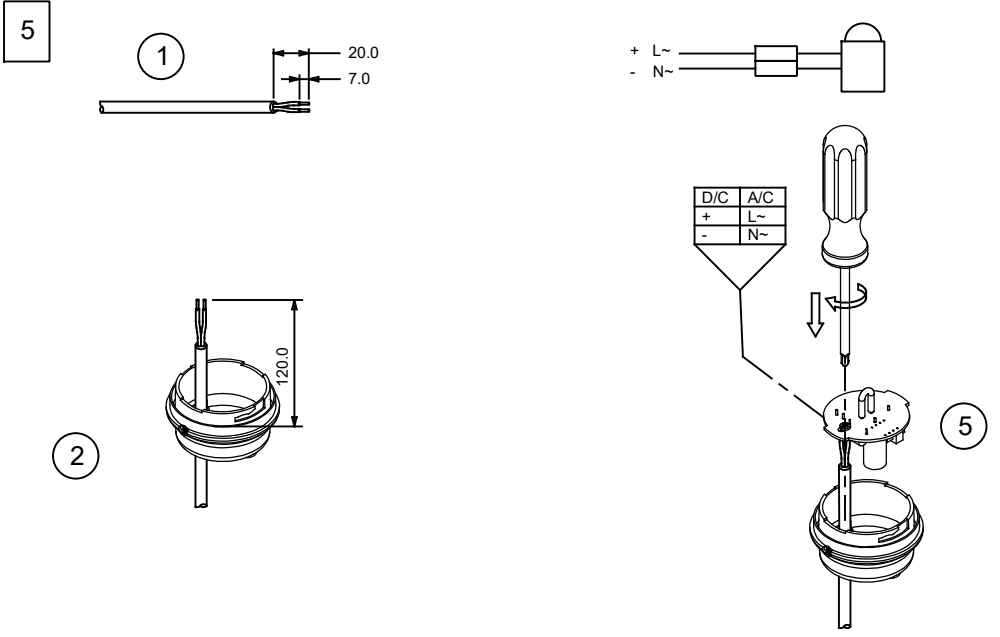
# 3 SPECTRA B200STR



D102-00-001-IS Issue 1

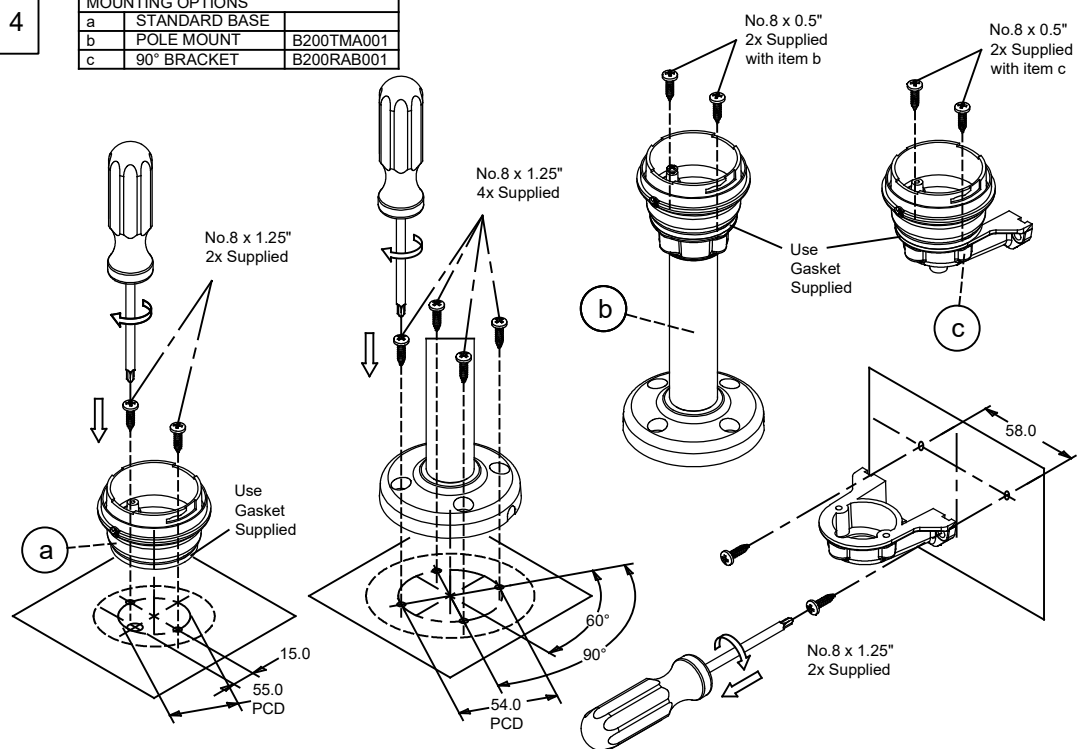
Sheet 2 of 2  
19/01/2023

Tel : +44 (0)20 8743 8880  
www.e2s.com



4

MOUNTING OPTIONS	
a	STANDARD BASE
b	POLE MOUNT B200TMA001
c	90° BRACKET B200RAB001



Dimensions in mm

6

