

1

SPECTRA

Buzzer Horn LED Array
 IP Rating: IP65
 Temp: -25 °C to +50 °C
 Unit weight: 184g
 CE, UKCA

Order code Voltage
 H100BL030G/x 12-30V DC
 • 12V dc 10mA
 • 24V dc 24mA

• Beacon Current Consumption
 • 12V dc 74mA
 • 24V dc 80mA

H100BL230G/x 40-260V AC/DC
 • 115V ac 50/60Hz 19mA
 • 230V ac 50/60Hz 10mA

• Beacon Current Consumption
 • 115V ac 50/60Hz 119mA
 • 230V ac 50/60Hz 32mA



D152-00-701-IS Issue 2

Sheet 1 of 2
 19/01/2022

Tel : +44 (0)2 8743 8880
 www.e2s.com

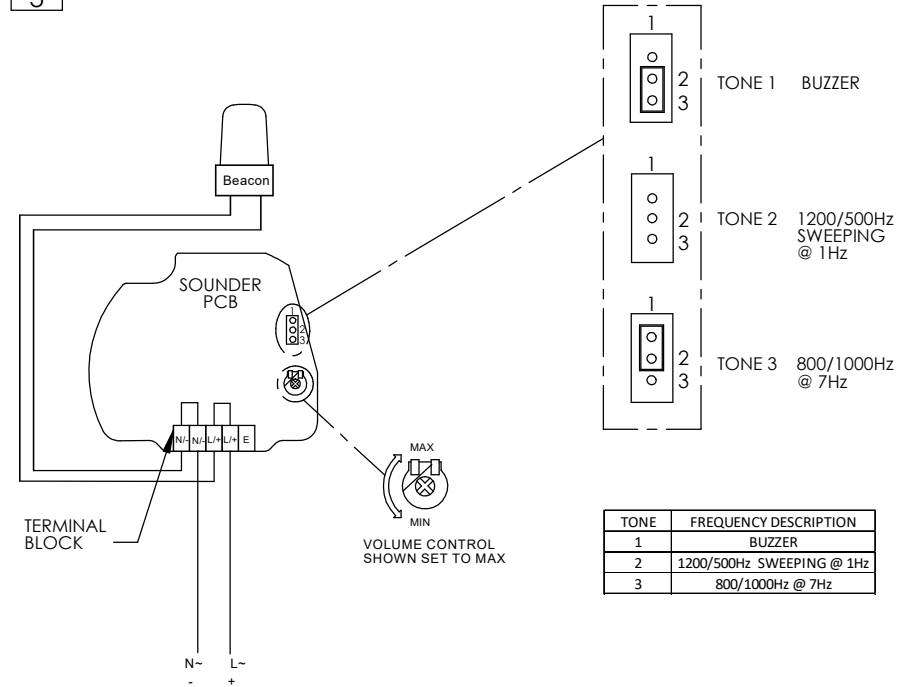


H100 BL

Dimensions : 94.2 x 135.2mm
 1.5mm² terminals
 Cable entry: 1 x 5-7mm push
 through grommet

x = Lens colour
 R = Red
 A = Amber
 B = Blue
 G = Green
 Y = Yellow

3

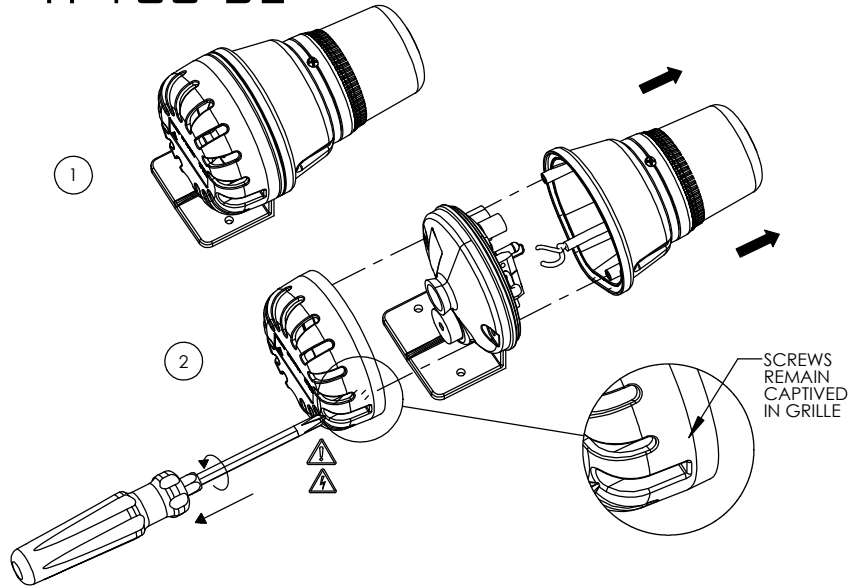


2

- ⚠ ATTENTION:** Installation must be carried out by an electrician in compliance with the latest codes and regulations.
- ⚠ ATTENTION:** Disconnect from power source before installation or service to prevent electric shock.
- ⚠ ATTENTION:** On strobe beacons allow a minimum of 2 minutes for hazardous high voltage to discharge from unit.
- ⚠ ATTENTION:** Lens on unit will be hot allow to cool prior to removal.

4

5 SPECTRA H 100 BL



D152-00-701-IS Issue 2

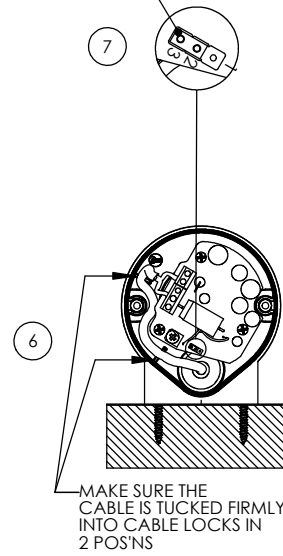
Sheet 2 of 2
19/01/2022

Tel : +44 (0)2 8743 8880
www.e2s.com



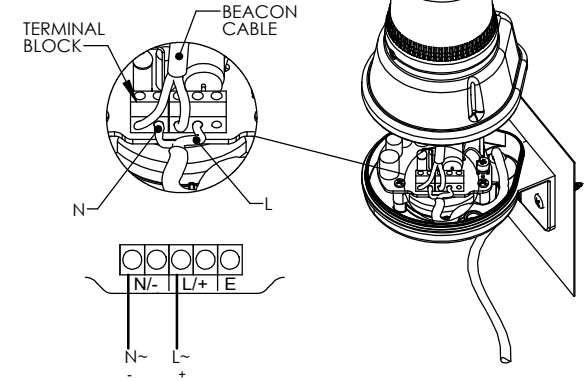
7

PLACE THE HEADER PIN TO REQUIRED TONE
SEE SHEET 1, FOR DETAIL.

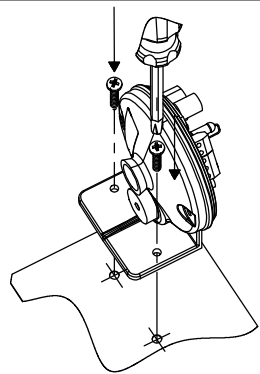


TERMINAL BLOCK	A/C INPUT	D/C INPUT
N/-	N~	-
N/+	N~(FROM BEACON)	-(FROM BEACON)
L/+	L~	+
L/-	L~(FROM BEACON)	+(FROM BEACON)
E		

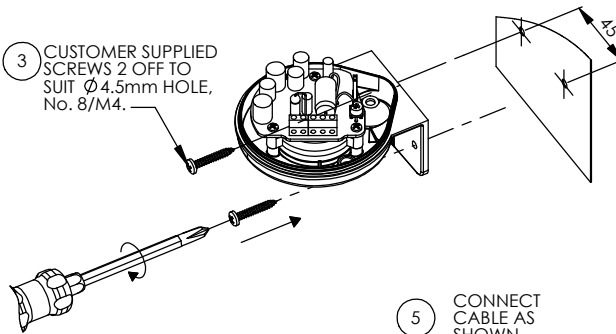
8 CONNECT THE BEACON CABLES TO TERMINAL AS SHOWN



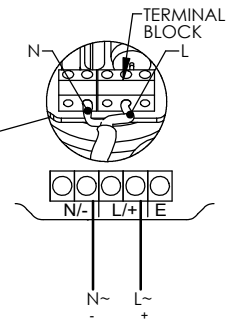
6



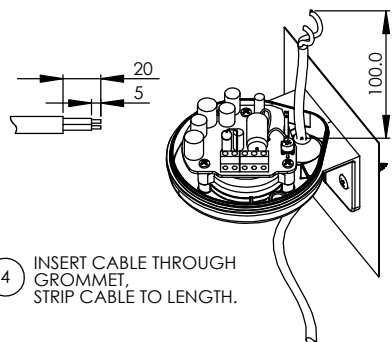
3 CUSTOMER SUPPLIED SCREWS 2 OFF TO SUIT Ø4.5mm HOLE, No. 8/M4.



5 CONNECT CABLE AS SHOWN



4 INSERT CABLE THROUGH GROMMET, STRIP CABLE TO LENGTH.



Dimensions in mm

8

