

1

# SPECTRA

Buzzer Horn  
 IP Rating: IP65  
 Temp: -25°C to +50°C  
 Unit weight: 118g  
 CE, UKCA

Order code Voltage  
 H100B030G 12-30V AC/DC  
 • 12V dc 10mA  
 • 24V dc 24mA  
 • 12V ac 50/60Hz 30mA  
 • 24V ac 50Hz 62mA

H100B230G 40-260V AC/DC  
 • 48V dc 15mA  
 • 48V ac 50/60Hz 25mA  
 • 115V dc 6mA  
 • 230V dc 3mA  
 • 115V ac 50/60Hz 19mA  
 • 230V ac 50/60Hz 10mA



D152-00-501-IS Issue 2

Sheet 1 of 2  
19/01/2022

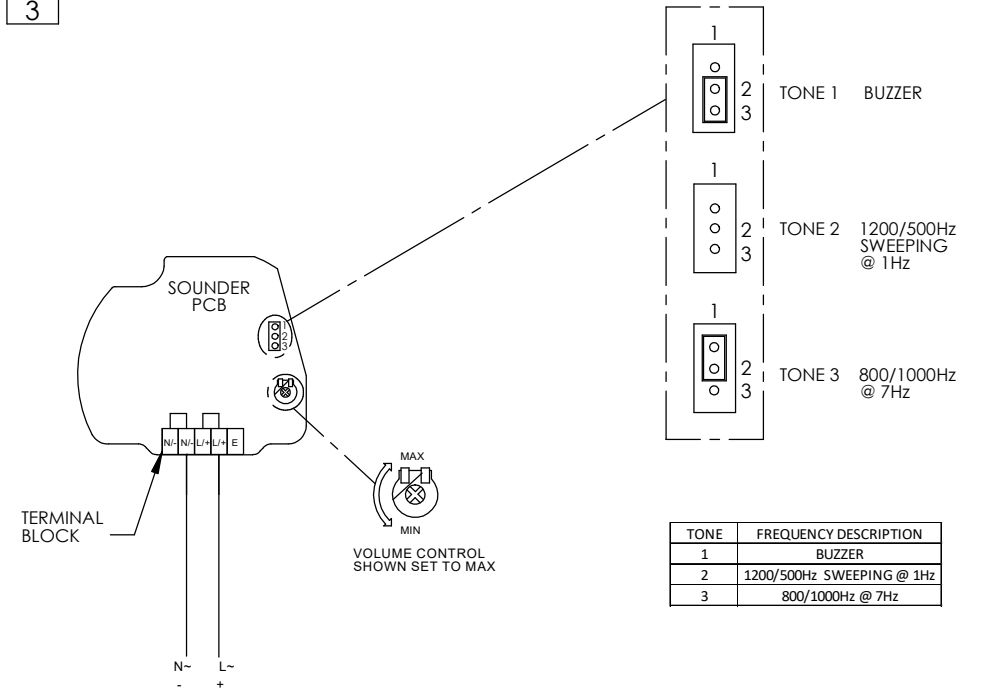
Tel : +44 (0)2 8743 8880  
www.e2s.com



# H100 B

Dimensions : 79.5 x 94.2mm  
 1.5mm<sup>2</sup> terminals  
 Cable entry: 1 x 5-7mm push  
 through grommet

3



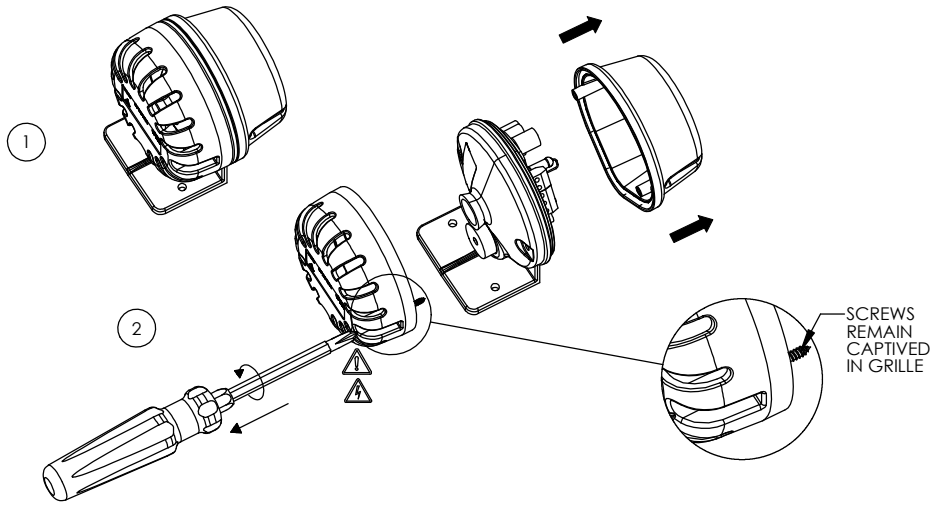
2

**⚠ ATTENTION:** Installation must be carried out by an electrician in compliance with the latest codes and regulations.

**⚠ ATTENTION:** Disconnect from power source before installation or service to prevent electric shock.

4

# 5 SPECTRA H 100 B



D152-00-501-IS Issue 2

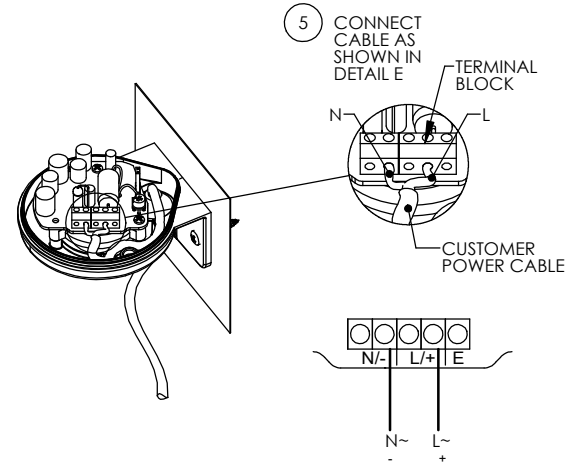
Sheet 2 of 2  
19/01/2022

Tel : +44 (0)2 8743 8880  
www.e2s.com



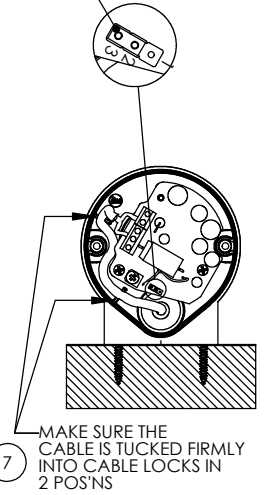
7

TERMINAL BLOCK	A/C INPUT	D/C INPUT
N/-	N~	-
N/-	N~(FROM BEACON)	-(FROM BEACON)
L/+	L~	+
L/+	L~(FROM BEACON)	+(FROM BEACON)
E		

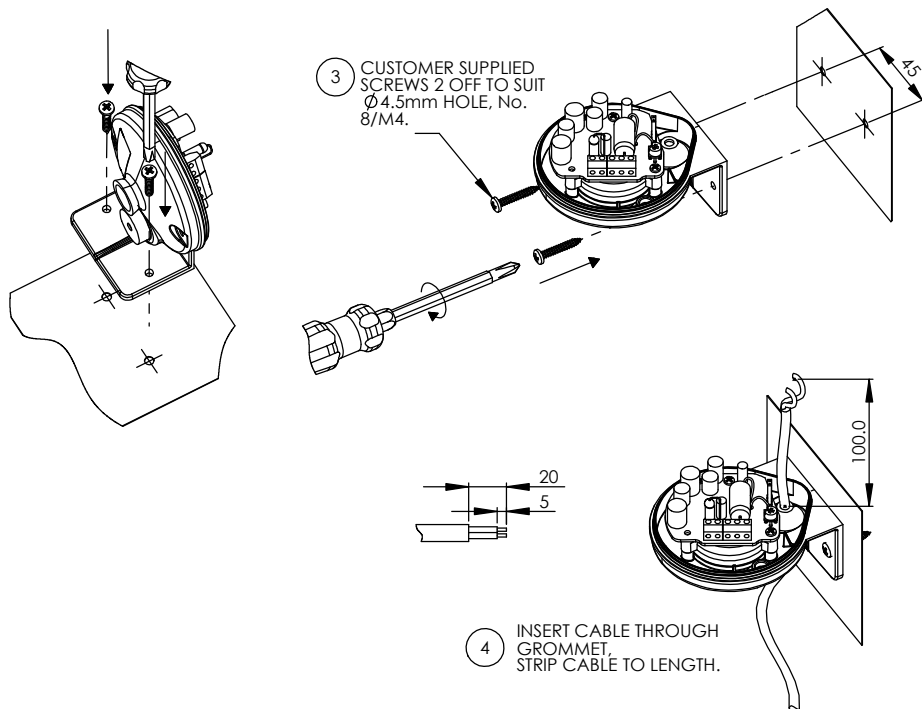


6

PLACE THE HEADER PIN TO REQUIRED TONE  
SEE SHEET 1 FOR DETAIL.



6



Dimensions in mm

8

