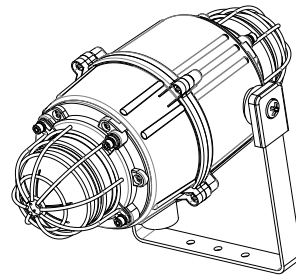
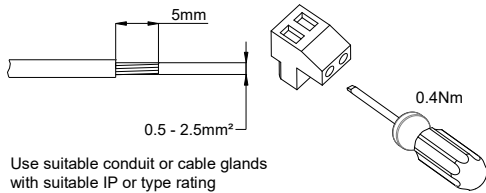


- IP67/66 & Type 4/4X/13
- -40°C to +66°C (-40°F to +151°F)
- 2.0Kg (4.4lb)
- CE, UKCA, EAC & Russian Maritime Register approved

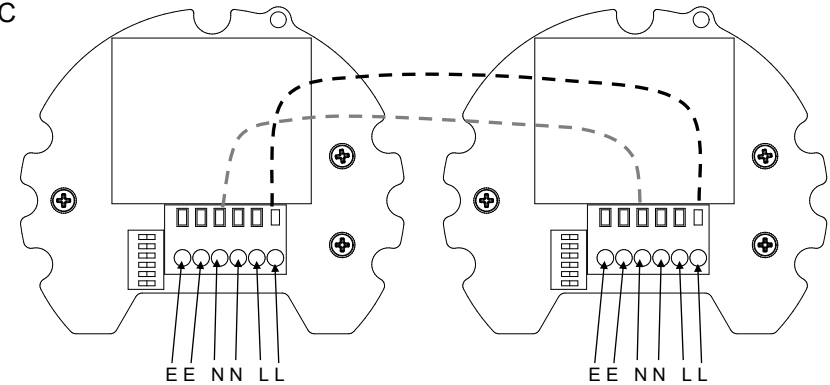


Unit Type Code	Nominal Voltage	Voltage Range	Nominal LED Beacon Current Steady High	Nominal LED Beacon Current Steady Low	Nominal LED Beacon Current Steady Flashing 1Hz
MCBLD2LD2DC024	24 Vdc	18-54 Vdc	240mA	134mA	110mA
MCBLD2LD2AC115	115 Vac	115 Vac ±10% 50/60Hz	95mA	78mA	90mA
MCBLD2LD2AC230	230 Vac	230 Vac ±10% 50/60Hz	48mA	37mA	45mA



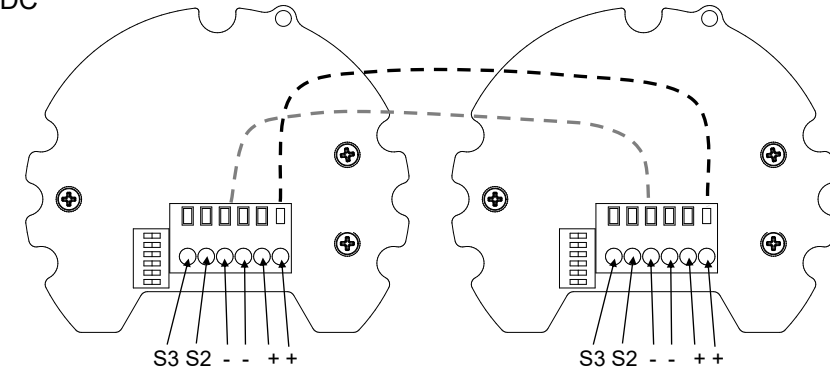
See D207-06-405

AC



See D207-06-401

DC



**Attention:** Installation must be carried out by an electrician in compliance with the latest codes and regulations.

**Attention:** L'installation doit être effectuée par un électricien conformément aux derniers codes et réglementations.

**Achtung:** Die Installation muss von einem Elektriker gemäß den neuesten Vorschriften und Bestimmungen durchgeführt werden.

**Attenzione:** L'installazione deve essere eseguita da un elettricista in conformità con i codici e le normative più recenti.

**Atención:** La instalación debe ser realizada por un electricista de acuerdo con los últimos códigos y regulaciones.

**Atenção:** A instalação deve ser realizada por um eletricitista de acordo com os códigos e regulamentos mais recentes.

**Внимание:** установка должна выполняться электриком в соответствии с последними нормами и правилами.

---

**Attention:** Disconnect from power source before installation or service to prevent electric shock

**Attention:** Débranchez-le de la source d'alimentation avant l'installation ou l'entretien pour éviter tout choc électrique.

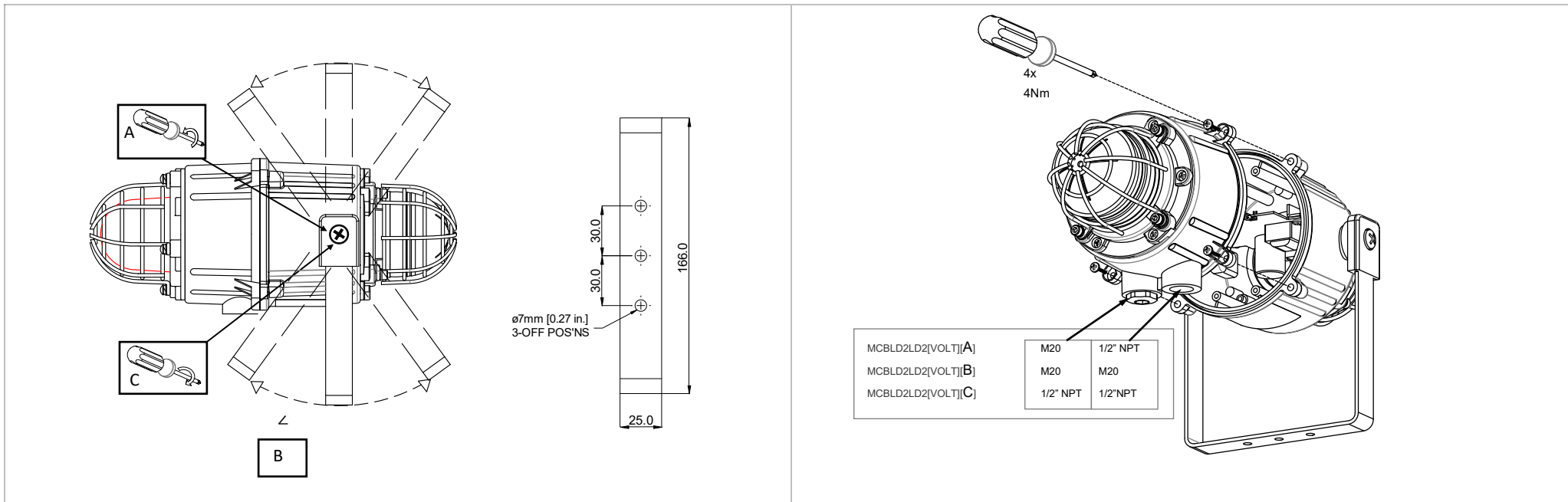
**Achtung:** Vor Installation oder Wartung von der Stromquelle trennen, um einen Stromschlag zu vermeiden.

**Attenzione:** scollegare dall'alimentazione prima dell'installazione o dell'assistenza per evitare scosse elettriche.

**Atención:** desconéctelo de la fuente de alimentación antes de la instalación o el servicio para evitar descargas eléctricas.

**Atenção:** Desconecte da fonte de alimentação antes da instalação ou serviço para evitar choque elétrico

**Внимание:** отключите от источника питания перед установкой или обслуживанием, чтобы предотвратить поражение электрическим током.



FLASH PATTERN	S1 SETTING	S1 MODE (AC & DC)	S2 MODE (DC ONLY)	S3 MODE (DC ONLY)
1	000000		1Hz	3x
2	000001		1Hz	3x
3	100000	1Hz	2x	3x
4	101000	1.5Hz	2Hz	2x
5	010000	2Hz	3x	3x
6	110000	2x		3x
7	001000	3x	2Hz	2x

2x

200ms

800ms

3x

200ms

800ms

(ON = 1, OFF = 0)

Default = Pattern 3, (1Hz)

continuous high

forte lumière continue

forte lumière continue

dauerlicht hoch

luz continua alta

luz continua alta

forte continuo

яркий непрерывный свет

continuous low

Faible lumière continue

Faible lumière continue

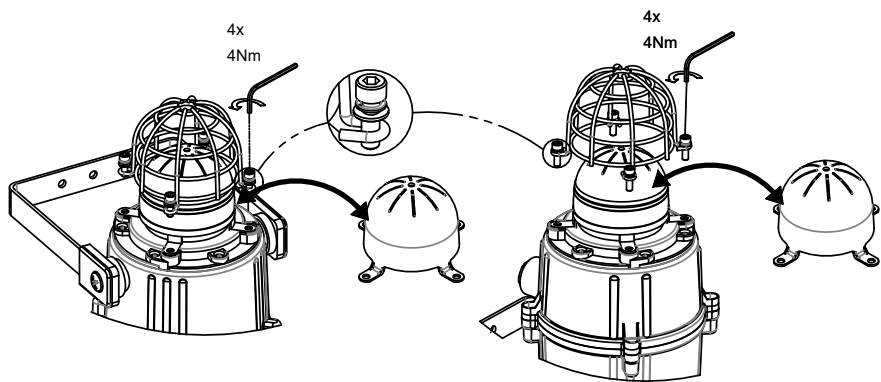
dauerlicht niedrig

luz continua basso

luz continua débil

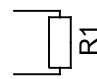
forte continuo

слабый непрерывный свет



1	2	3	4	5	6	7	8	9	10
							ISSUE	MOD No.	REASON - INITIAL - DATE
							A		INTRODUCTION RSR - 05/03/2021

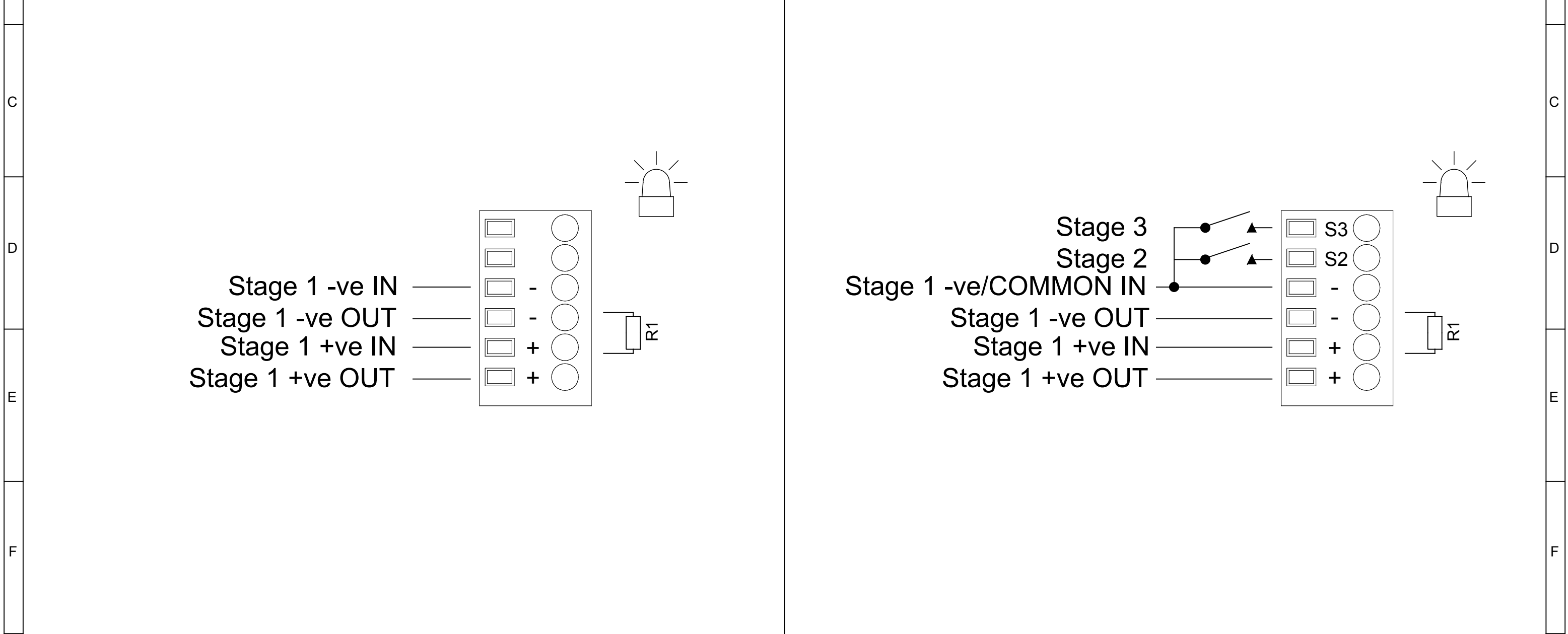
OPTIONAL LINE MONITORING RESISTOR, CUSTOMER SUPPLIED,  
RECOMMENDED MINIMUM VALUES:  
14V MAX SYSTEM = 120Ω MIN, 2W MIN OR 1KΩ MIN, 0.5W MIN  
28V MAX SYSTEM = 470Ω MIN, 2W MIN OR 2.4KΩ MIN, 0.5W MIN


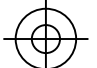



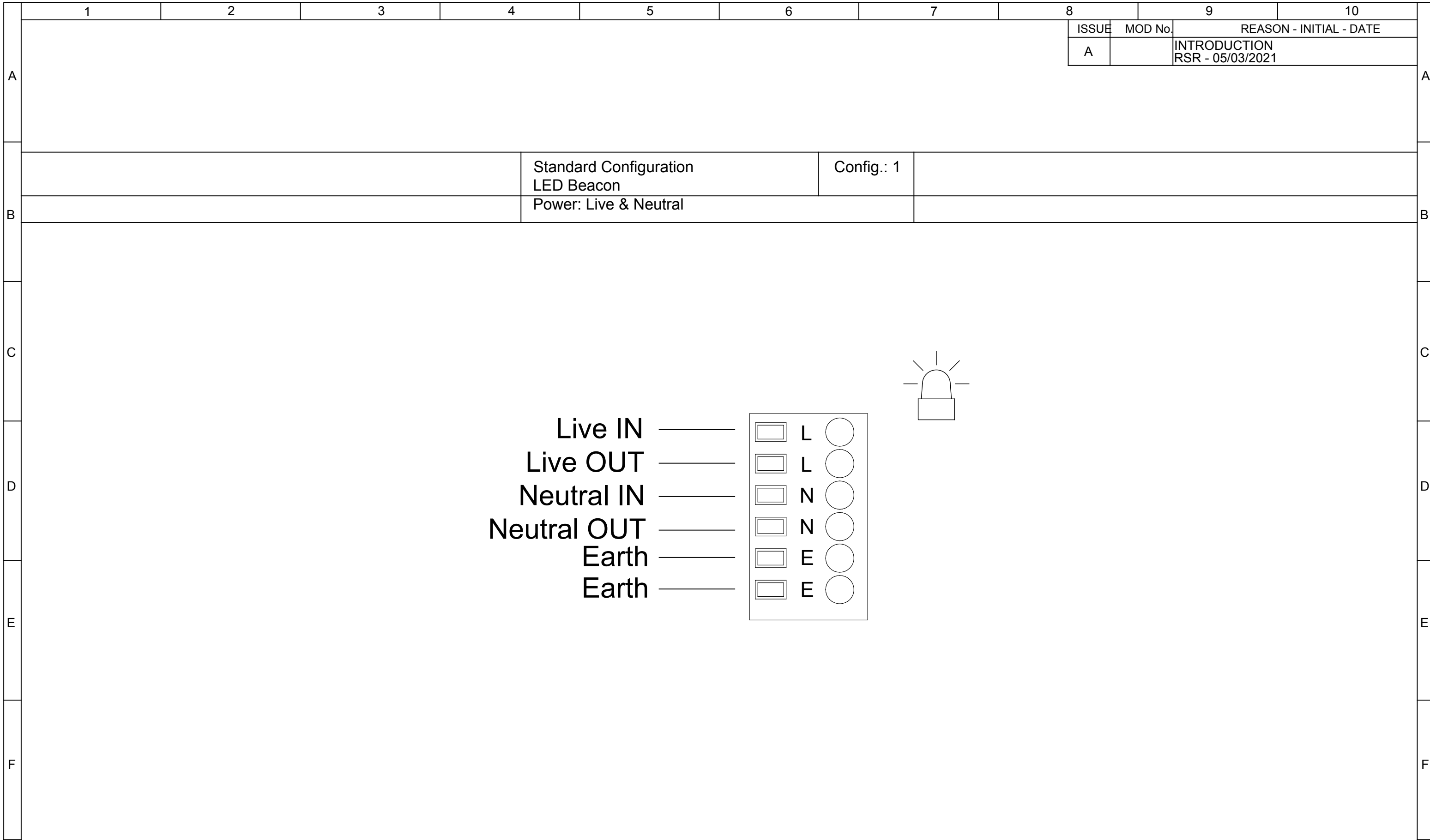
SWITCHES FOR STAGE OPERATION  
CUSTOMER SUPPLIED


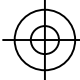
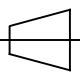


Single Stage Configuration Power: +ve & -ve	Config.: 1	Two/Three Stage .Voltage Free 2nd & 3rd Stage Activation Configuration	Config.: 2
Stage 1: Apply Power to Stage 1 +ve & Stage 1 -ve/Common Stage 2: Apply Power to Stage 1 +ve & Stage 1 -ve/Common & connect Stage 2 to Stage 1 -ve/Common Stage 3: Apply Power to Stage 1 +ve & Stage 1 -ve/Common & connect Stage 3 to Stage 1 -ve/Common			



DRAWING TO BS8888:2000 GEOMETRIC TOLERANCES TO ISO1101:1983 LINEAR DIMENSIONAL TOLS ANGULAR DIMENSIONAL TOLS	DRAWN	DATE	SURFACE FINISH	WEIGHT (Kg)	THIS DRAWING AND ANY INFORMATION OR DESCRIPTIVE MATTER THEREIN IS COMMUNICATED IN CONFIDENCE AND IS THE COPYRIGHT PROPERTY OF EUROPEAN SAFETY SYSTEMS LTD. NEITHER THE WHOLE OR ANY EXTRACT MAY BE DISCLOSED, LOANED, COPIED OR USED FOR MANUFACTURING OR TENDERING PURPOSES WITHOUT THEIR WRITTEN CONSENT.	 EUROPEAN SAFETY SYSTEMS LTD IMPRESS HOUSE MANSELL ROAD ACTON LONDON W3 7QH WWW.E2S.COM	ALL DIMENSIONS IN MM IF IN DOUBT, ASK - DO NOT SCALE	 	A3
	CHECKED	DATE					MATERIAL	TITLE DC MBLD2 LED BEACON & MCBLD2LD2 DUAL LED BEACON WIRING DIAGRAMS	
	STANDARDS	APPROVED	DATE	ALTERNATIVE MATERIAL			SCALE	SHEET	DRAWING NUMBER
M RANGE	R.S.RAIT	05/03/2021			©		NTS	1 OF 1	D207-06-401



DRAWING TO BS8888:2000 GEOMETRIC TOLERANCES TO ISO1101:1983 LINEAR DIMENSIONAL TOLS ANGULAR DIMENSIONAL TOLS	DRAWN	DATE	SURFACE FINISH	WEIGHT (Kg)	THIS DRAWING AND ANY INFORMATION OR DESCRIPTIVE MATTER THEREIN IS COMMUNICATED IN CONFIDENCE AND IS THE COPYRIGHT PROPERTY OF EUROPEAN SAFETY SYSTEMS LTD. NEITHER THE WHOLE OR ANY EXTRACT MAY BE DISCLOSED, LOANED, COPIED OR USED FOR MANUFACTURING OR TENDERING PURPOSES WITHOUT THEIR WRITTEN CONSENT.	 warning signals EUROPEAN SAFETY SYSTEMS LTD IMPRESS HOUSE MANSELL ROAD ACTON LONDON W3 7QH WWW.E2S.COM	ALL DIMENSIONS IN MM IF IN DOUBT, ASK - DO NOT SCALE	 	<b>A3</b>		
	CHECKED	DATE	MATERIAL				© EUROPEAN SAFETY SYSTEMS LTD. AS PER LATEST DATE OF ISSUE SHOWN ABOVE	TITLE <b>AC MBLD2 LED BEACON &amp; MCBLD2LD2 DUAL LED BEACON WIRING DIAGRAM</b>			
	STANDARDS	APPROVED	DATE	ALTERNATIVE MATERIAL			SCALE	SHEET	DRAWING NUMBER		
M RANGE	R.S.RAIT	05/03/2021				NTS	1 OF 1	<b>D207-06-405</b>			