

# DC CONFIGURATIONS

**E2S PART NO**  
**D2x[C3][J1][XX][XX][XX][S1]**  
**D2x[C3][J2][XX][XX][XX][S1]**

**DESCRIPTION**  
**D2xC3 STACK**  
**3 BEACONS & ALARM HORN WITH JUNCTION BOX**

**DATA REFERENCE**  
**1-35-020**

Note: Alternative wiring configurations may be available on request - contact E2S sales

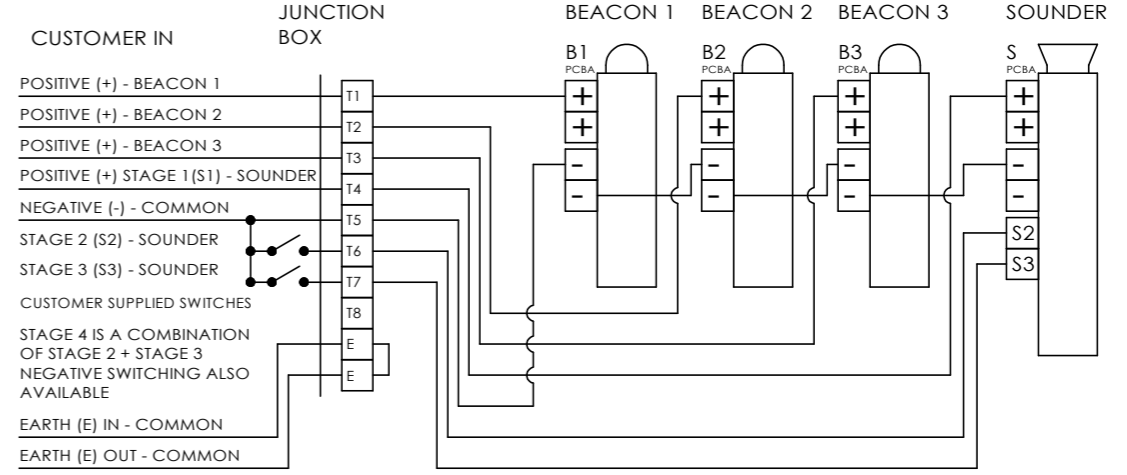
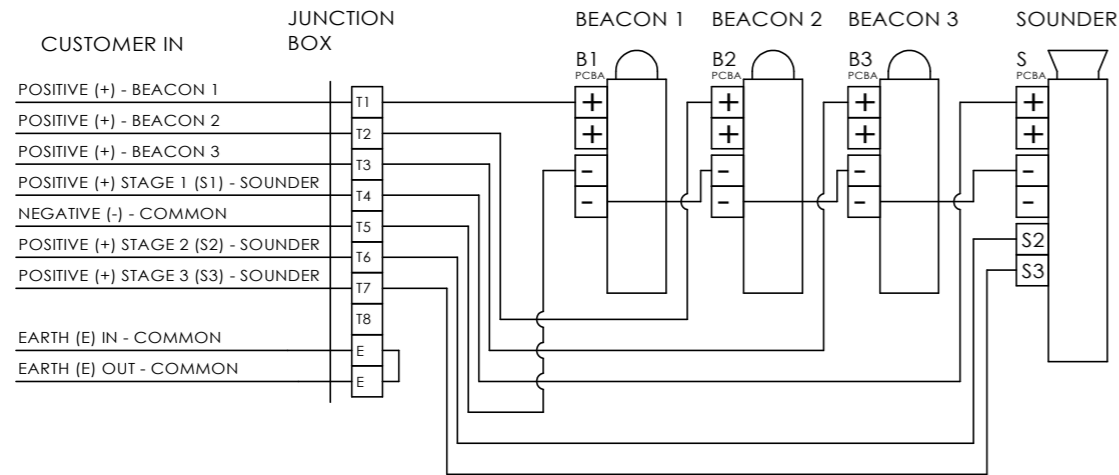
ISSUE	MOD No.	REASON - INITIAL - DATE
1		INTRODUCTION DAH - 15-08-2019
2		-VE / N COMMON MOVED TO T5 DAH - 21-02-2020
3		CONFIG 1-4 ADDED. SH2 ADDED DAH - 20/04/2023

**CONFIG. 1**  
(DEFAULT)

DC VOLTAGE SUPPLY  
 COMMON NEGATIVE CONNECTION TO ALL SIGNALS  
 POSITIVE STAGE SWITCHING FOR ALARM HORN SOUNDER

**CONFIG. 3**

DC VOLTAGE SUPPLY  
 COMMON NEGATIVE CONNECTION TO ALL SIGNALS  
 NEGATIVE STAGE SWITCHING FOR ALARM HORN SOUNDER

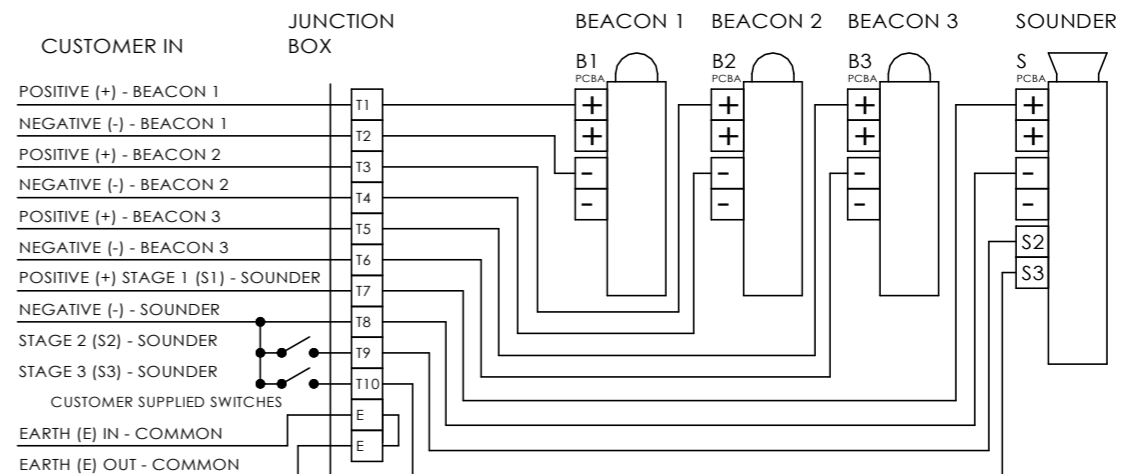
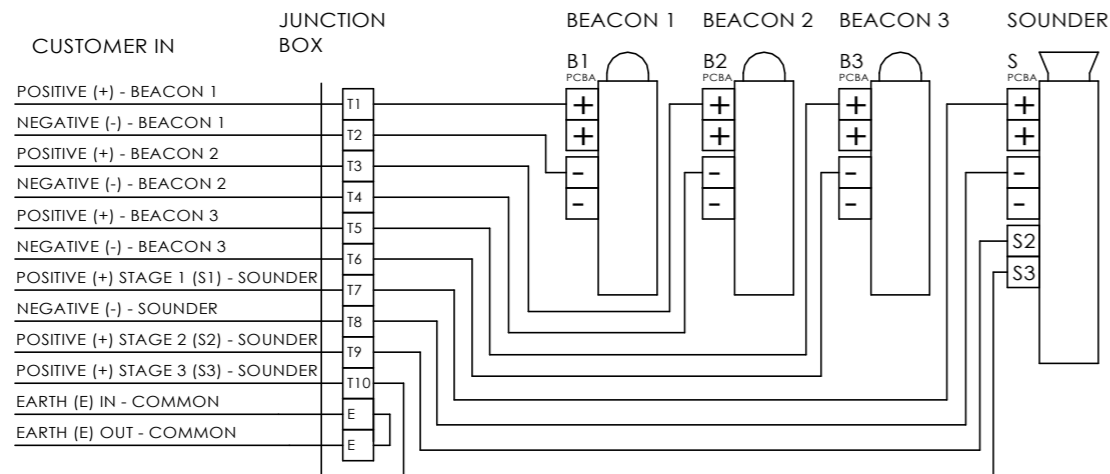


**CONFIG. 2**

DC VOLTAGE SUPPLY  
 INDEPENDENT CONNECTIONS TO ALL SIGNALS  
 POSITIVE STAGE SWITCHING FOR ALARM HORN SOUNDER

**CONFIG. 4**

DC VOLTAGE SUPPLY  
 INDEPENDENT CONNECTIONS TO ALL SIGNALS  
 NEGATIVE STAGE SWITCHING FOR ALARM HORN SOUNDER



DRAWING TO BS8888:2000  
 GEOMETRIC TOLERANCES TO ISO1101:1983  
 LINEAR DIMENSIONAL TOLS  
 ANGULAR DIMENSIONAL TOLS

DRAWN	DATE
D.HOWGILL	15-08-2019
CHECKED	DATE
R.N.POTTS	15-08-2019
APPROVED	DATE
R.N.POTTS	15-08-2019

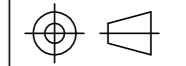
SURFACE FINISH	WEIGHT (Kg)
FINISH	
MATERIAL	
ALTERNATIVE MATERIAL	

THIS DRAWING AND ANY INFORMATION OR DESCRIPTIVE MATTER THEREIN IS COMMUNICATED IN CONFIDENCE AND IS THE COPYRIGHT PROPERTY OF EUROPEAN SAFETY SYSTEMS LTD. NEITHER THE WHOLE OR ANY EXTRACT MAY BE DISCLOSED, LOANED, COPIED OR USED FOR MANUFACTURING OR TENDERING PURPOSES WITHOUT THEIR WRITTEN CONSENT.

EUROPEAN SAFETY SYSTEMS LTD.  
 AS PER LATEST DATE OF ISSUE SHOWN ABOVE

**e2s**  
 warning signals  
 EUROPEAN SAFETY SYSTEMS LTD  
 IMPRESS HOUSE  
 MANSELL ROAD  
 ACTON  
 LONDON W3 7QH  
 WWW.E2S.COM

ALL DIMENSIONS IN MM  
 IF IN DOUBT, ASK -  
 DO NOT SCALE



**A2**

TITLE **D2xC3 STACK - 3 BEACONS & ALARM HORN WITH JUNCTION BOX WIRING SCHEMATIC**

SCALE	SHEET	DRAWING NUMBER
NTS	1 OF 3	D215-06-158

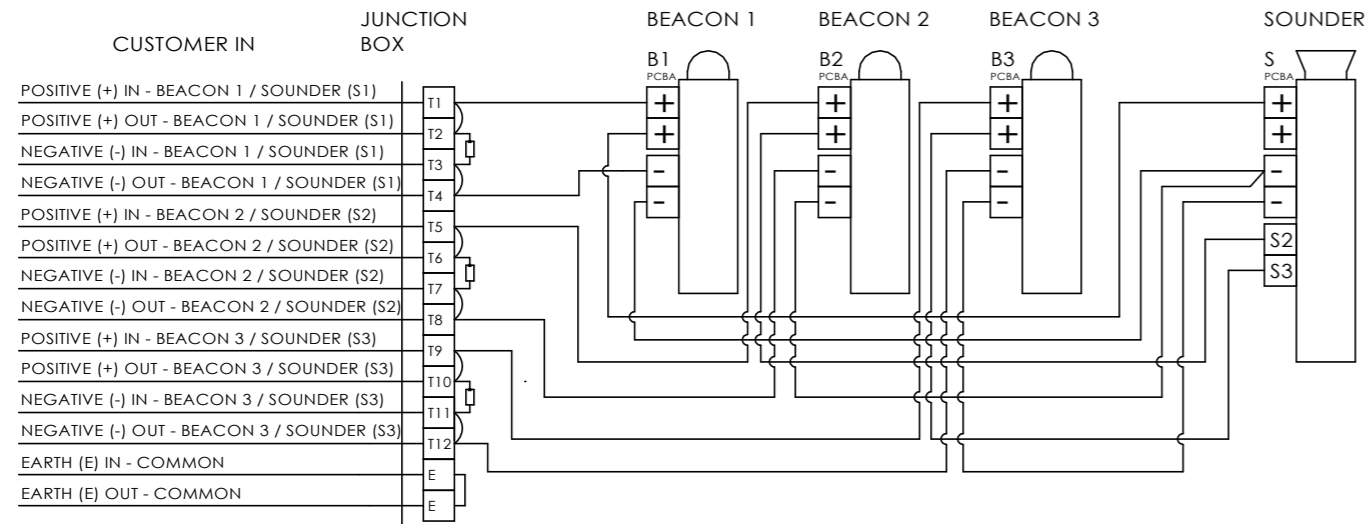
# DC CONFIGURATIONS

ISSUE	MOD No.	REASON - INITIAL - DATE
1		SEE SH1
2		SEE SH1
3		SEE SH1

## CONFIG. 5

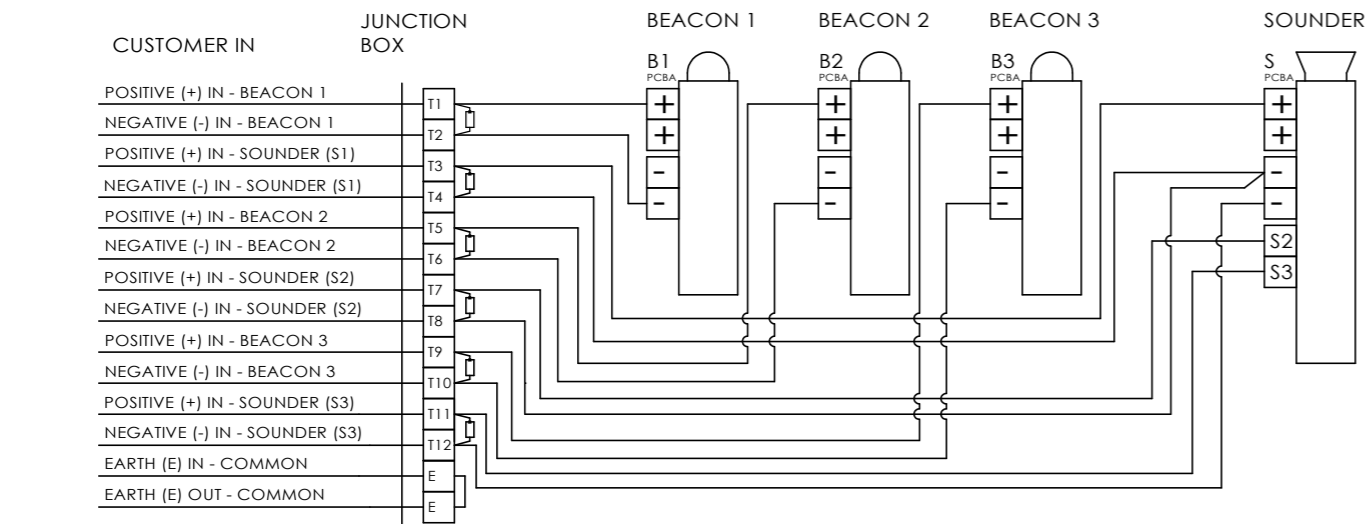
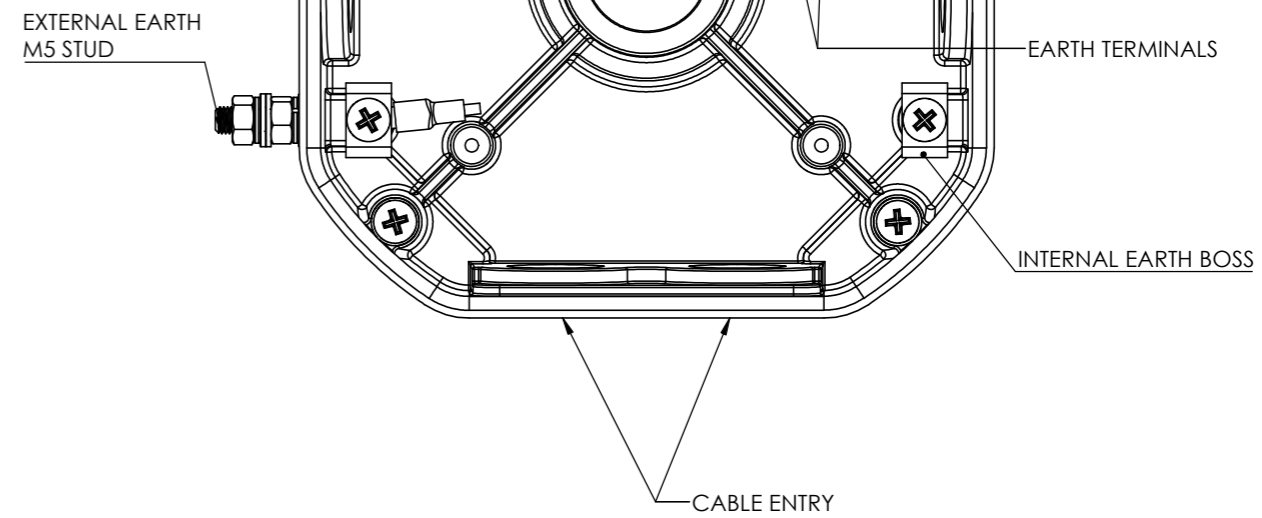
DC VOLTAGE SUPPLY  
 BEACON 1 / STAGE 1 LINKED ; BEACON 2 / STAGE 2 LINKED ; BEACON 3 / STAGE 3 LINKED  
 INDEPENDENT STAGE WIRING FOR ALARM HORN SOUNDER WITH END OF LINE MONITORING (3 STAGES)

## ENTRY TERMINALS



## CONFIG. 6

DC VOLTAGE SUPPLY  
 INDEPENDENT CONNECTIONS TO ALL SIGNALS  
 INDEPENDENT STAGE WIRING FOR ALARM HORN SOUNDER WITH END OF LINE MONITORING (3 STAGES)



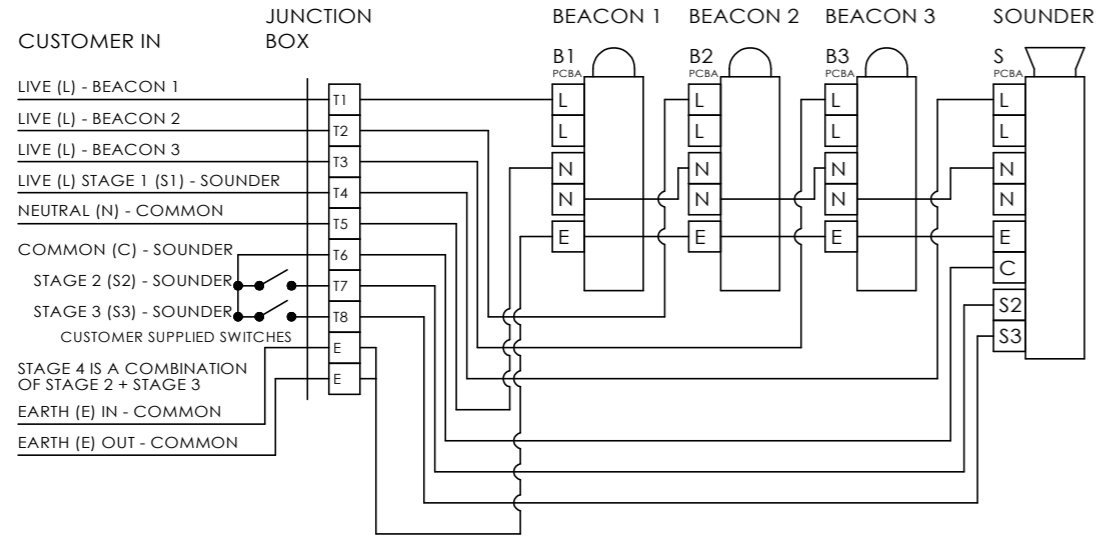
DRAWING TO BS8888:2000 GEOMETRIC TOLERANCES TO ISO1101:1983 LINEAR DIMENSIONAL TOLS ANGULAR DIMENSIONAL TOLS	DRAWN D.HOWGILL DATE 15-08-2019	SURFACE FINISH FINISH MATERIAL ALTERNATIVE MATERIAL	WEIGHT (kg)	THIS DRAWING AND ANY INFORMATION OR DESCRIPTIVE MATTER THEREIN IS COMMUNICATED IN CONFIDENCE AND IS THE COPYRIGHT PROPERTY OF EUROPEAN SAFETY SYSTEMS LTD. NEITHER THE WHOLE OR ANY EXTRACT MAY BE DISCLOSED, LOANED, COPIED OR USED FOR MANUFACTURING OR TENDERING PURPOSES WITHOUT THEIR WRITTEN CONSENT.	 EUROPEAN SAFETY SYSTEMS LTD IMPRESS HOUSE MANSELL ROAD ACTON LONDON W3 7QH WWW.E2S.COM	ALL DIMENSIONS IN MM IF IN DOUBT, ASK - DO NOT SCALE	 A2
	CHECKED R.N.POTTS DATE 15-08-2019					TITLE D2xC3 STACK - 3 BEACONS & ALARM HORN WITH JUNCTION BOX WIRING SCHEMATIC	
	APPROVED R.N.POTTS DATE 15-08-2019					SCALE NTS	

# AC CONFIGURATIONS

ISSUE	MOD No.	REASON - INITIAL - DATE
1		SEE SH1
2		SEE SH1
3		SEE SH1

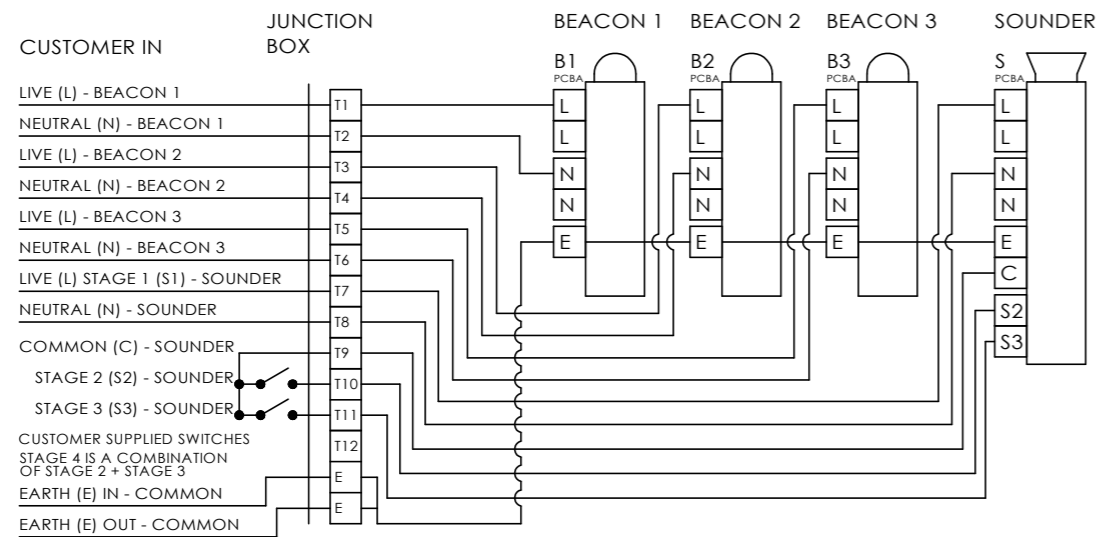
## CONFIG. 1 (DEFAULT)

- AC VOLTAGE SUPPLY
- COMMON NEUTRAL CONNECTION TO ALL SIGNALS
- COMMON STAGE SWITCHING FOR ALARM HORN SOUNDER



## CONFIG. 2

- AC VOLTAGE SUPPLY
- INDEPENDENT CONNECTIONS TO ALL SIGNALS
- COMMON STAGE SWITCHING FOR ALARM HORN SOUNDER



DRAWING TO BS8888:2000 GEOMETRIC TOLERANCES TO ISO1101:1983 LINEAR DIMENSIONAL TOLS ANGULAR DIMENSIONAL TOLS	DRAWN	DATE	SURFACE FINISH FINISH	WEIGHT (kg)	THIS DRAWING AND ANY INFORMATION OR DESCRIPTIVE MATTER THEREIN IS COMMUNICATED IN CONFIDENCE AND IS THE COPYRIGHT PROPERTY OF EUROPEAN SAFETY SYSTEMS LTD. NEITHER THE WHOLE OR ANY EXTRACT MAY BE DISCLOSED, LOANED, COPIED OR USED FOR MANUFACTURING OR TENDERING PURPOSES WITHOUT THEIR WRITTEN CONSENT.	 EUROPEAN SAFETY SYSTEMS LTD IMPRESS HOUSE MANSELL ROAD ACTON LONDON W3 7QH WWW.E2S.COM	ALL DIMENSIONS IN MM IF IN DOUBT, ASK - DO NOT SCALE	 <b>A2</b>	
	CHECKED	DATE					MATERIAL		TITLE D2xC3 STACK - 3 BEACONS & ALARM HORN WITH JUNCTION BOX WIRING SCHEMATIC
	APPROVED	DATE					ALTERNATIVE MATERIAL		SCALE NTS
STANDARDS	R.N.POTTS	15-08-2019			EUROPEAN SAFETY SYSTEMS LTD. AS PER LATEST DATE OF ISSUE SHOWN ABOVE				