

DC CONFIGURATIONS

E2S PART NO
D2x[C3][J1][XX][XX][S1]
D2x[C3][J2][XX][XX][S1]

DESCRIPTION
D2x C3 STACK - 2 BEACONS & ALARM HORN
WITH JUNCTION BOX

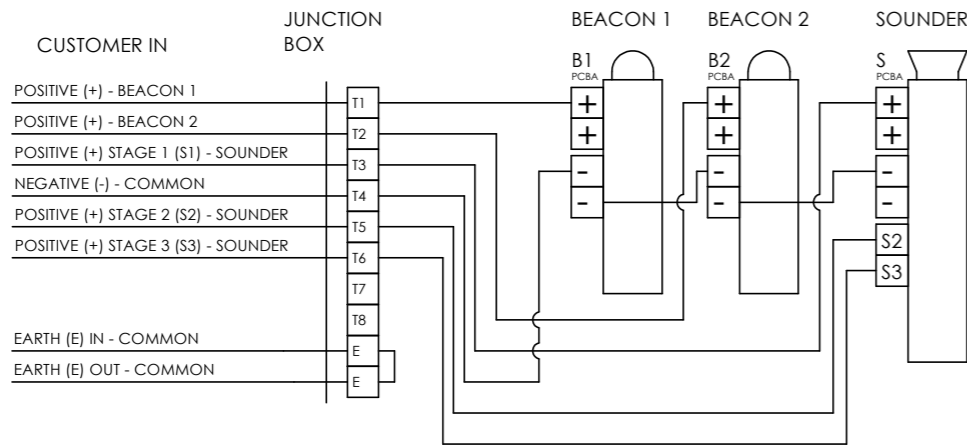
DATA REFERENCE
1-35-020

Note: Alternative wiring configurations may be available on request - contact E2S sales

ISSUE	MOD No.	REASON - INITIAL - DATE
1		INTRODUCTION DAH - 15-08-2019
2		-VE / N COMMON MOVED TO T3 DAH - 21-02-2020
3		CONFIG 1-2 ADDED. SH2 & 3 ADDED DAH - 20/04/2023

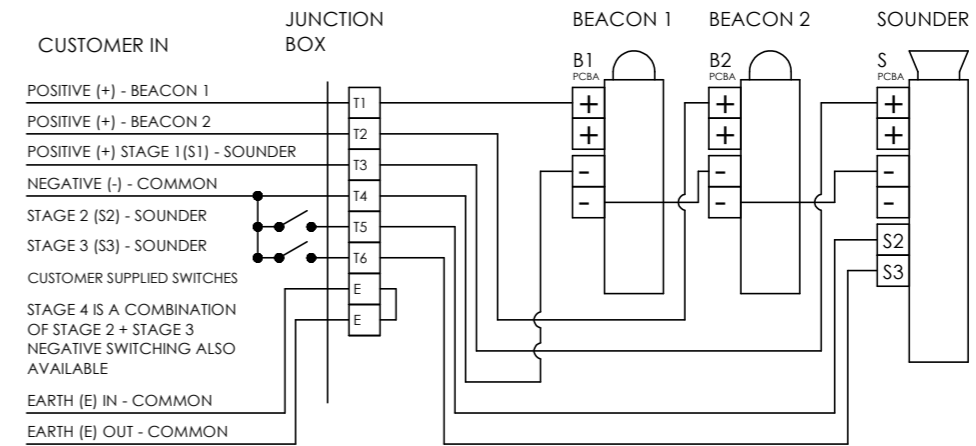
CONFIG. 1 (DEFAULT)

DC VOLTAGE SUPPLY
 COMMON NEGATIVE CONNECTION TO ALL SIGNALS
 POSITIVE STAGE SWITCHING FOR ALARM HORN SOUNDER



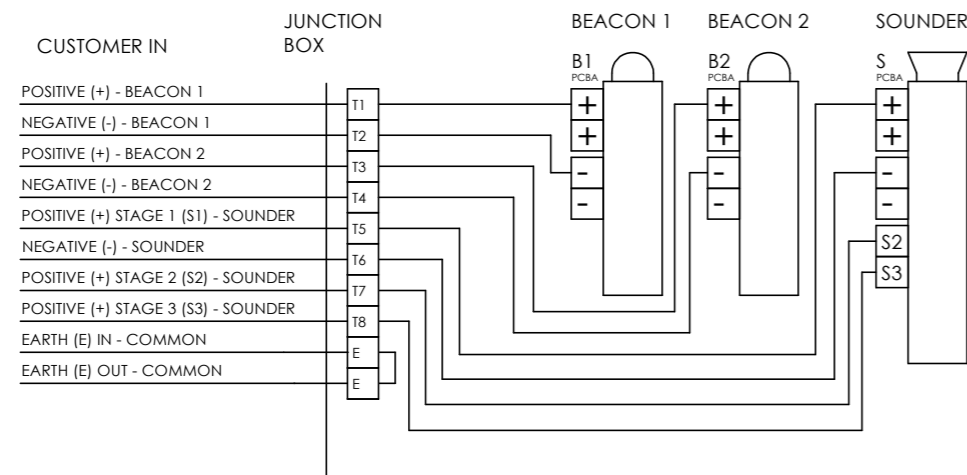
CONFIG. 3

DC VOLTAGE SUPPLY
 COMMON NEGATIVE CONNECTION TO ALL SIGNALS
 NEGATIVE STAGE SWITCHING FOR ALARM HORN SOUNDER



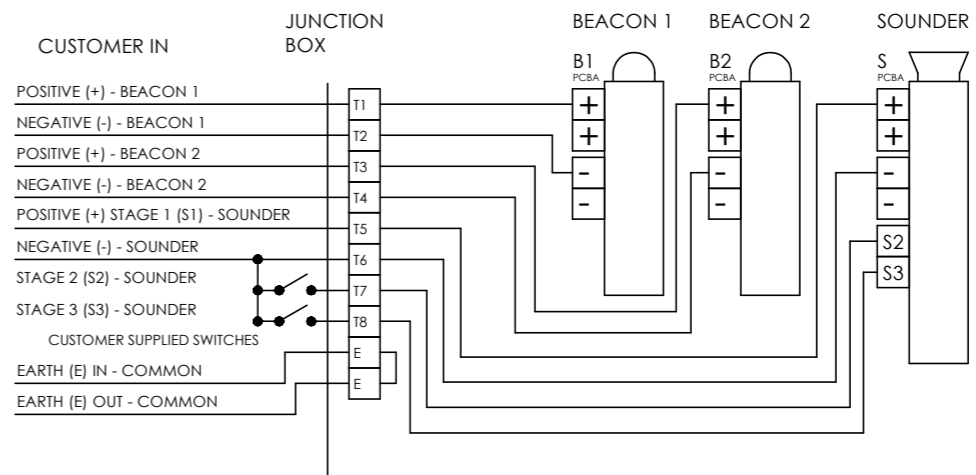
CONFIG. 2

DC VOLTAGE SUPPLY
 INDEPENDENT CONNECTIONS TO ALL SIGNALS
 POSITIVE STAGE SWITCHING FOR ALARM HORN SOUNDER



CONFIG. 4

DC VOLTAGE SUPPLY
 INDEPENDENT CONNECTIONS TO ALL SIGNALS
 NEGATIVE STAGE SWITCHING FOR ALARM HORN SOUNDER



DRAWING TO BS8888:2000 GEOMETRIC TOLERANCES TO ISO1101:1983 LINEAR DIMENSIONAL TOLS ANGULAR DIMENSIONAL TOLS	DRAWN D.HOWGILL DATE 15-08-2019	SURFACE FINISH FINISH	WEIGHT (Kg)	THIS DRAWING AND ANY INFORMATION OR DESCRIPTIVE MATTER THEREIN IS COMMUNICATED IN CONFIDENCE AND IS THE COPYRIGHT PROPERTY OF EUROPEAN SAFETY SYSTEMS LTD. NEITHER THE WHOLE OR ANY EXTRACT MAY BE DISCLOSED, LOANED, COPIED OR USED FOR MANUFACTURING OR TENDERING PURPOSES WITHOUT THEIR WRITTEN CONSENT. EUROPEAN SAFETY SYSTEMS LTD. AS PER LATEST DATE OF ISSUE SHOWN ABOVE	EUROPEAN SAFETY SYSTEMS LTD IMPRESS HOUSE MANSELL ROAD ACTON LONDON W3 7QH WWW.E2S.COM	ALL DIMENSIONS IN MM IF IN DOUBT, ASK - DO NOT SCALE	A2
	CHECKED R.N.POTTS DATE 15-08-2019	MATERIAL	TITLE D2x C3 STACK - 2 BEACONS & ALARM HORN WITH JUNCTION BOX WIRING SCHEMATIC				
	APPROVED R.N.POTTS DATE 15-08-2019	ALTERNATIVE MATERIAL	SCALE NTS			SHEET 1 OF 3	

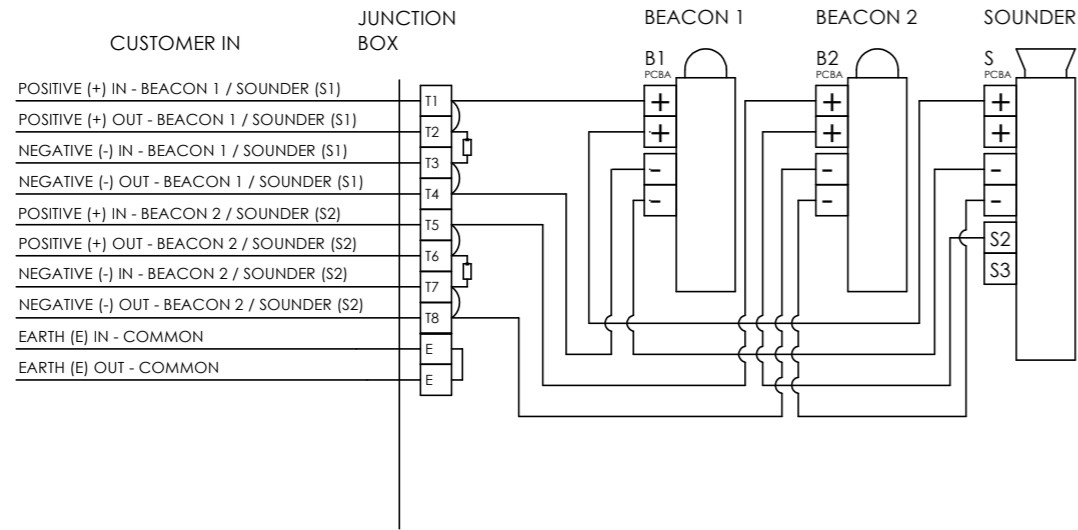
DC CONFIGURATIONS

ISSUE	MOD No.	REASON - INITIAL - DATE
1		SEE SH1
2		SEE SH1
3		SEE SH1

CONFIG. 5

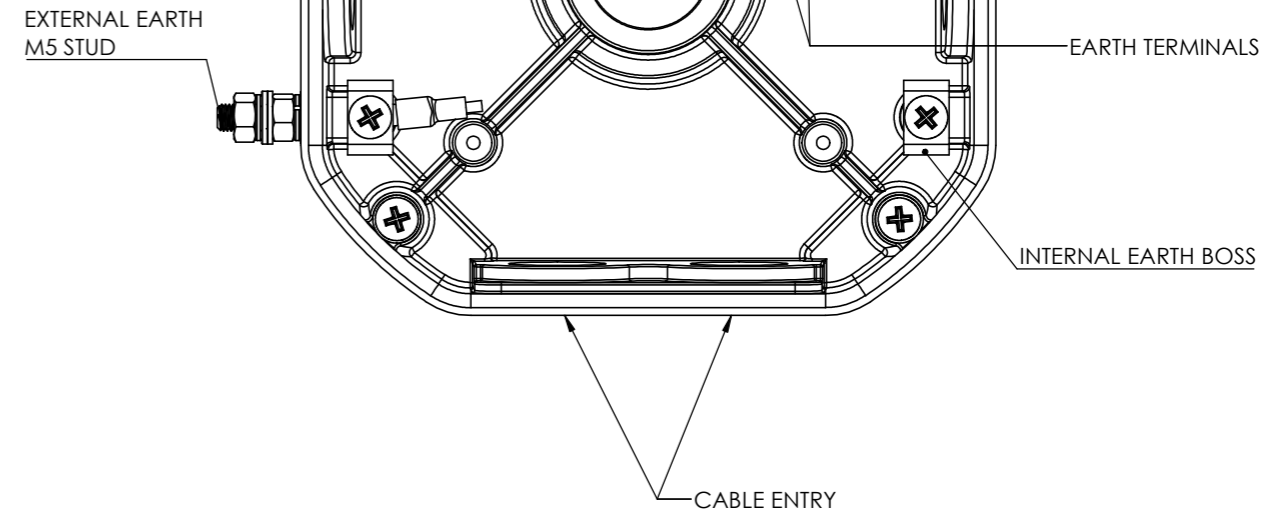
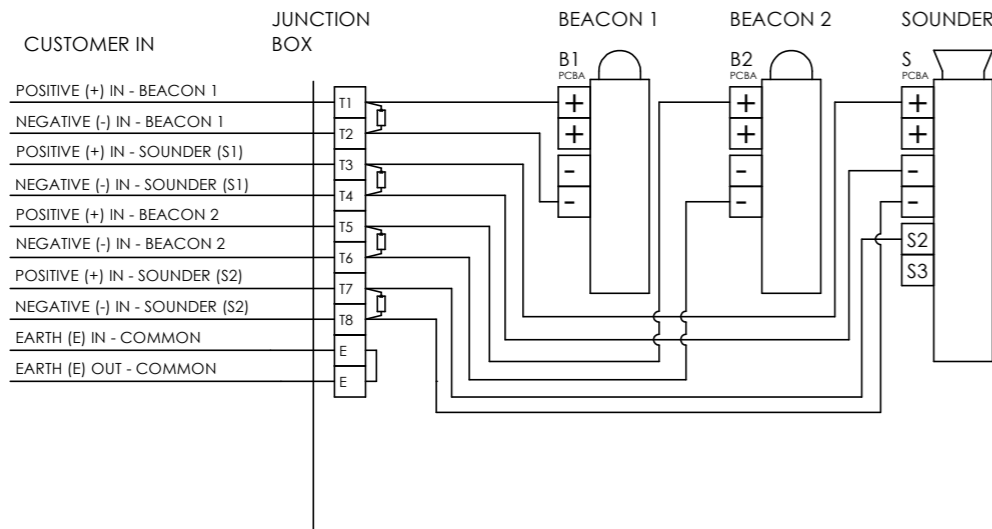
DC VOLTAGE SUPPLY
 BEACON 1 AND SOUNDER STAGE 1 LINKED ; BEACON 2 AND SOUNDER STAGE 2 LINKED
 INDEPENDENT STAGE WIRING FOR ALARM HORN SOUNDER WITH END OF LINE MONITORING (2 STAGES)

ENTRY TERMINALS



CONFIG. 6

DC VOLTAGE SUPPLY
 INDEPENDENT CONNECTIONS ON ALL SIGNALS
 INDEPENDENT STAGE WIRING FOR ALARM HORN SOUNDER WITH END OF LINE MONITORING (2 STAGES)



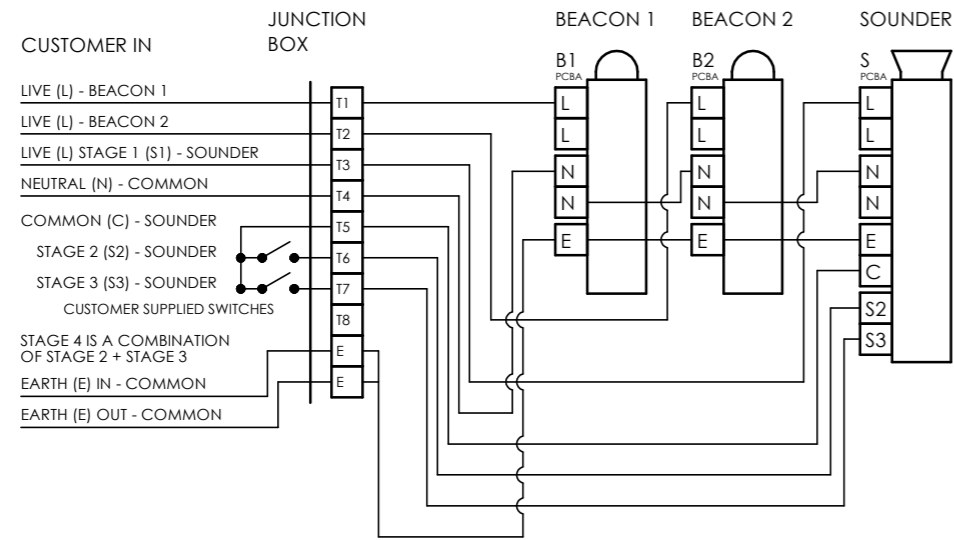
DRAWING TO BS8888:2000 GEOMETRIC TOLERANCES TO ISO1101:1983 LINEAR DIMENSIONAL TOLS ANGULAR DIMENSIONAL TOLS	DRAWN	DATE	SURFACE FINISH FINISH	WEIGHT (kg)	THIS DRAWING AND ANY INFORMATION OR DESCRIPTIVE MATTER THEREIN IS COMMUNICATED IN CONFIDENCE AND IS THE COPYRIGHT PROPERTY OF EUROPEAN SAFETY SYSTEMS LTD. NEITHER THE WHOLE OR ANY EXTRACT MAY BE DISCLOSED, LOANED, COPIED OR USED FOR MANUFACTURING OR TENDERING PURPOSES WITHOUT THEIR WRITTEN CONSENT.	 EUROPEAN SAFETY SYSTEMS LTD IMPRESS HOUSE MANSELL ROAD ACTON LONDON W3 7QH WWW.E2S.COM	ALL DIMENSIONS IN MM IF IN DOUBT, ASK - DO NOT SCALE		 A2	
	CHECKED	DATE					MATERIAL	TITLE D2xC3 STACK - 2 BEACONS & ALARM HORN WITH JUNCTION BOX WIRING SCHEMATIC		
	APPROVED	DATE						ALTERNATIVE MATERIAL		SCALE
STANDARDS	R.N.POTTS	15-08-2019			© EUROPEAN SAFETY SYSTEMS LTD. AS PER LATEST DATE OF ISSUE SHOWN ABOVE		NTS		2 OF 3	D215-06-148

AC CONFIGURATIONS

ISSUE	MOD No.	REASON - INITIAL - DATE
1		SEE SH1
2		SEE SH1
3		SEE SH1

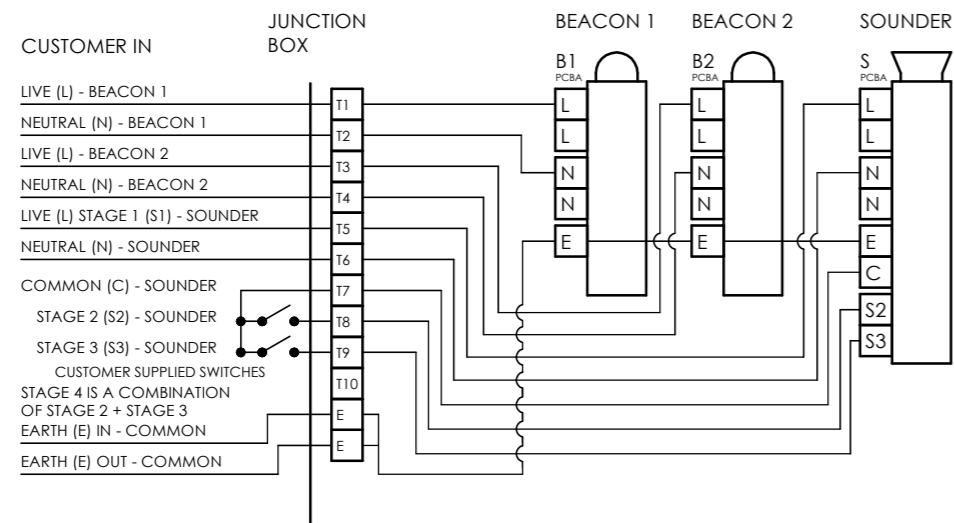
CONFIG. 1 (DEFAULT)

- AC VOLTAGE SUPPLY
- COMMON NEUTRAL CONNECTION TO ALL SIGNALS
- COMMON STAGE SWITCHING FOR ALARM HORN SOUNDER



CONFIG. 2

- AC VOLTAGE SUPPLY
- INDEPENDENT CONNECTIONS TO ALL SIGNALS
- COMMON STAGE SWITCHING FOR ALARM HORN SOUNDER



DRAWING TO BS8888:2000
GEOMETRIC TOLERANCES TO ISO1101:1983
LINEAR DIMENSIONAL TOLS
ANGULAR DIMENSIONAL TOLS

STANDARDS

DRAWN	DATE
D.HOWGILL	15-08-2019
CHECKED	DATE
R.N.POTTS	15-08-2019
APPROVED	DATE
R.N.POTTS	15-08-2019

SURFACE FINISH	WEIGHT (kg)
FINISH	
MATERIAL	
ALTERNATIVE MATERIAL	

THIS DRAWING AND ANY INFORMATION OR DESCRIPTIVE MATTER THEREIN IS COMMUNICATED IN CONFIDENCE AND IS THE COPYRIGHT PROPERTY OF EUROPEAN SAFETY SYSTEMS LTD. NEITHER THE WHOLE OR ANY EXTRACT MAY BE DISCLOSED, LOANED, COPIED OR USED FOR MANUFACTURING OR TENDERING PURPOSES WITHOUT THEIR WRITTEN CONSENT.

EUROPEAN SAFETY SYSTEMS LTD.
AS PER LATEST DATE OF ISSUE SHOWN ABOVE



ALL DIMENSIONS IN MM IF IN DOUBT, ASK - DO NOT SCALE			A2
TITLE D2xC3 STACK - 2 BEACONS & ALARM HORN WITH JUNCTION BOX WIRING SCHEMATIC			
SCALE NTS	SHEET 3 OF 3	DRAWING NUMBER D215-06-148	