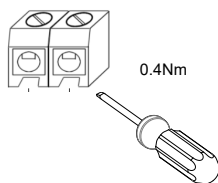
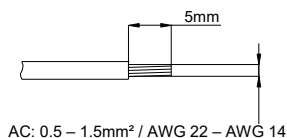
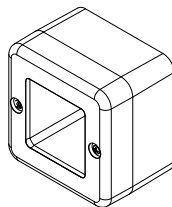


# INSTRUCTION & SERVICE MANUAL

## L101FLASHTEL Telephone Initiated Xenon Beacon

- -25°C to +55C (-13°F to 131°F)
- IP66
- 0.20Kg (0.44lb)
- CE & UKCA
- GOST-R approved. Cert: POCC GB-JB05-H00144
- Energy: 5 Joules (5Ws) Flash rate: 1Hz (60 fpm)
- Peak Candela: 500,000 cd – calculated from energy (J)
- Effective Intensity cd: 250 cd – calculated from energy (J)
- Peak Candela: 78,801 cd\* – measured ref. to I.E.S.
- Effective Intensity cd: 196 cd\* – measured ref. to I.E.S.
- Supply: 230V ac (telephone initiated)
- Cable entry: M20 cable entry ( IP66) Dependent on Back Box selected



Attention: Installation must be carried out by an electrician in compliance with the latest codes and regulations.

Attention: L'installation doit être effectuée par un électricien conformément aux derniers codes et réglementations.

Achtung: Die Installation muss von einem Elektriker gemäß den neuesten Vorschriften und Bestimmungen durchgeführt werden.

Attenzione: L'installazione deve essere eseguita da un elettricista in conformità con i codici e le normative più recenti.

Atención: La instalación debe ser realizada por un electricista de acuerdo con los últimos códigos y regulaciones.

Atenção: A instalação deve ser realizada por um electricista de acordo com os códigos e regulamentos mais recentes.

Внимание: установка должна выполняться электриком в соответствии с последними нормами и правилами.

Attention: Disconnect from power source before installation or service to prevent electric shock

Attention: Débranchez-le de la source d'alimentation avant l'installation ou l'entretien pour éviter tout choc électrique.

Achtung: Vor Installation oder Wartung von der Stromquelle trennen, um einen Stromschlag zu vermeiden.

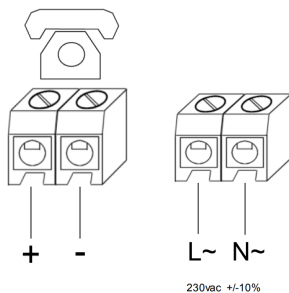
Attenzione: scollegare dall'alimentazione prima dell'installazione o dell'assistenza per evitare scosse elettriche.

Atención: desconéctelo de la fuente de alimentación antes de la instalación o el servicio para evitar descargas eléctricas.

Atenção: Desconecte da fonte de alimentação antes da instalação ou serviço para evitar choque elétrico

Внимание: отключите от источника питания перед установкой или обслуживанием, чтобы предотвратить поражение электрическим током.

(See D247-06-101)



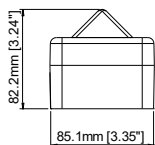
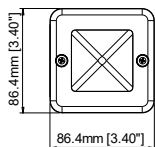
# INSTRUCTION & SERVICE MANUAL

## L101FLASHTEL Telephone Initiated Xenon Beacon

Backbox Type See D185-05-001

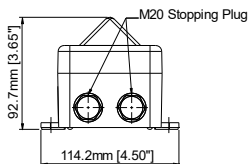
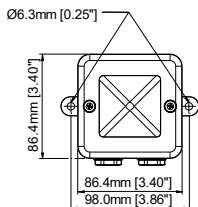
Standard L101 Backbox

[B]



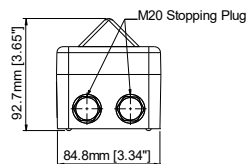
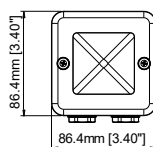
Multi-purpose Backbox

[M]





Sonora Backbox

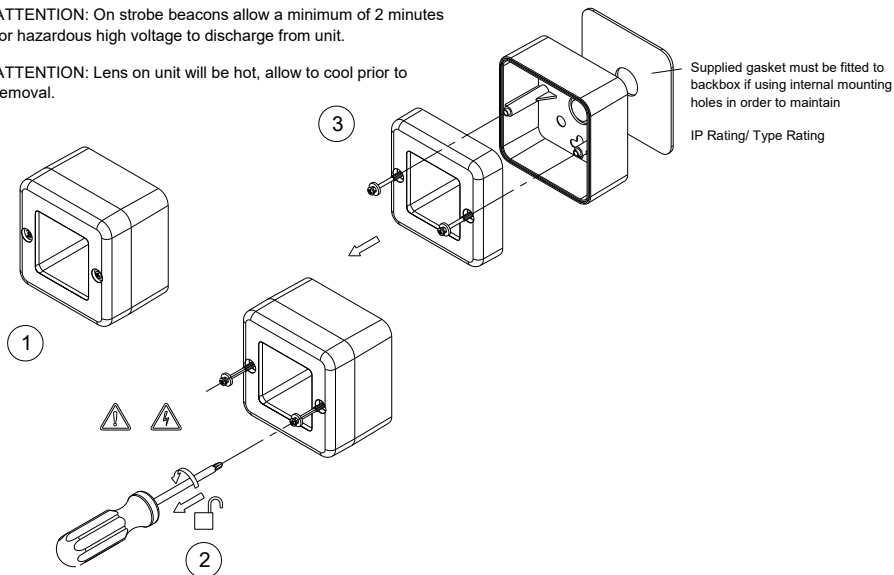
[S]



### Access to Enclosure

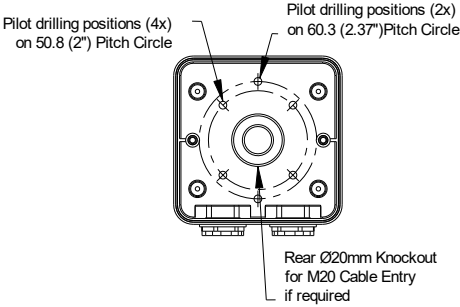
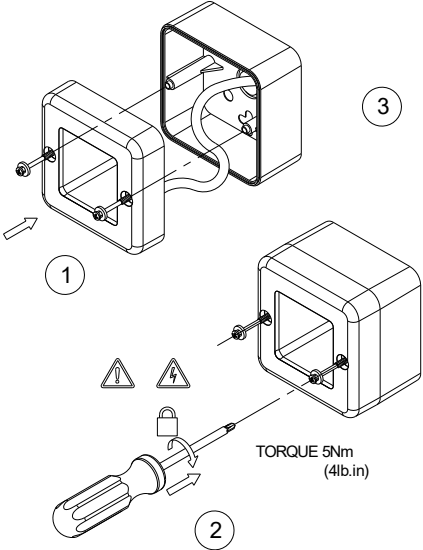
 **ATTENTION:** On strobe beacons allow a minimum of 2 minutes for hazardous high voltage to discharge from unit.

 **ATTENTION:** Lens on unit will be hot, allow to cool prior to removal.



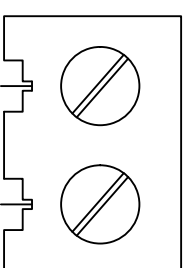
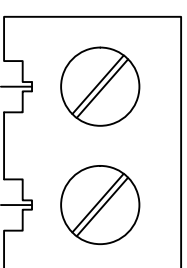
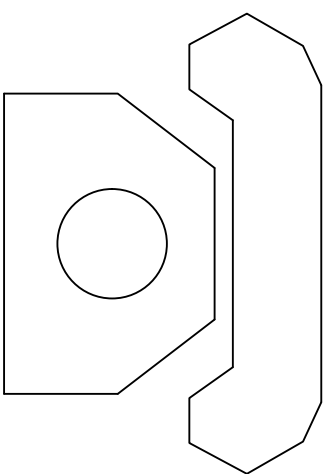
**INSTRUCTION & SERVICE MANUAL**  
**L101FLASHTEL Telephone Initiated Xenon Beacon**

Re-assembly



1 2 3 4 5 6 7 8 9 10

ISSUE	MOD No.	REASON - INITIAL - DATE
A		INTRODUCTION JS- 30/06/2021



+

-

L ~ N ~

230Vac +/-10%

DRAWING TO BS8888:2000 GEOMETRIC TOLERANCES TO ISO1101:1983 LINEAR DIMENSIONAL TOLS ANGULAR DIMENSIONAL TOLS		DRAWN <b>J. SPILLER</b>	DATE 30/06/2021	SURFACE FINISH	WEIGHT (Kg)	<p>THIS DRAWING AND ANY INFORMATION OR DESCRIPTIVE MATTER THEREIN IS COMMUNICATED IN CONFIDENCE AND IS THE COPYRIGHT PROPERTY OF EUROPEAN SAFETY SYSTEMS LTD. NEITHER THE WHOLE OR ANY EXTRACTION BE DISCLOSED, LOANED, COPIED OR USED FOR MANUFACTURING OR TENDERING PURPOSES WITHOUT THEIR WRITTEN CONSENT.</p> <p>© EUROPEAN SAFETY SYSTEMS LTD. AS PER LATEST DATE OF ISSUE SHOWN ABOVE</p>	<p>EUROPEAN SAFETY SYSTEMS LTD WARRING SIGNALS WARRING HOUSE MANSELL ROAD LONDON W13 7QH WWW.E2S.COM</p>	ALL DIMENSIONS IN MM IF IN DOUBT, ASK - DO NOT SCALE		<p><b>A3</b></p>
STANDARDS FLASHTEL	CHECKED <b>B.ISARD</b>	DATE 30/06/2021	MATERIAL	ALTERNATIVE MATERIAL	TITLE <b>L101FLASHTEL WIRING SCHEMATIC</b>			SCALE <b>NTS</b>	SHEET <b>1 OF 1</b>	